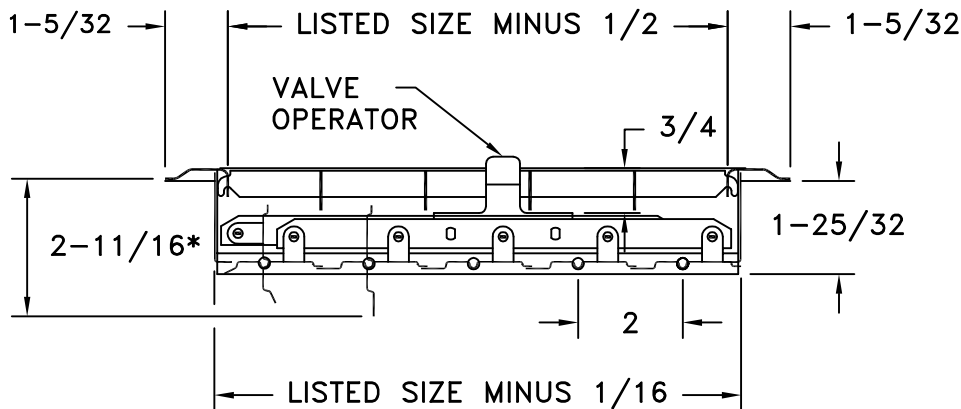
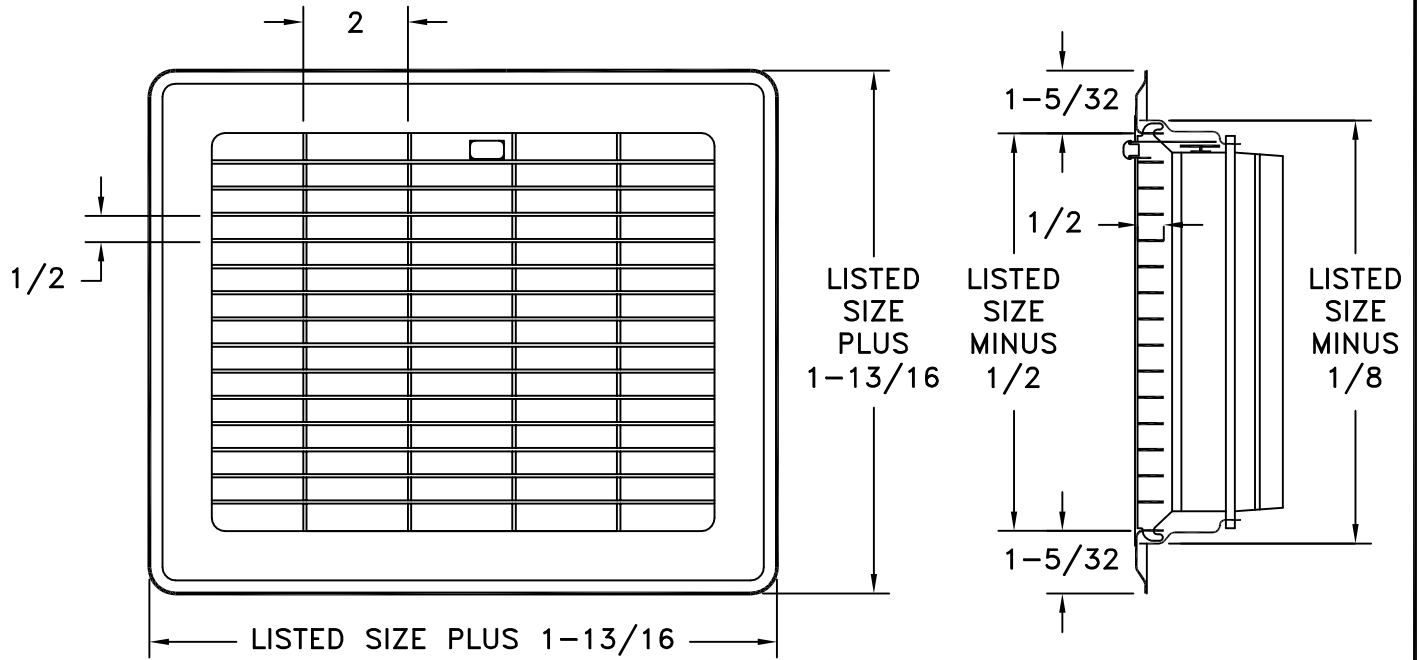


- ALL STEEL CONSTRUCTION
- TOE OPERATED VALVE CONTROL
- MINIMUM SIZE = 4 W X 6 L
- MAXIMUM SIZE = 14 W X 20 L, 12 W X 24 L
- EXTREMELY RIGID, SMOOTH SURFACE FACE
- FINISH: GOLDEN SAND (GS) ENAMEL



*3-9/16" FOR SIZES OVER 14x20

JOB NAME: _____ LOCATION: _____ ARCHITECT: _____ ENGINEER: _____ CONTRACTOR: _____	SUBMITTED BY: _____	DATE: 06/20/2013 SD-2005 210 Steel Heavy Duty Floor Register
--	---------------------	--