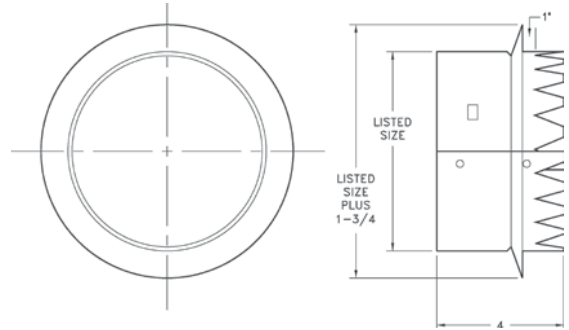




6400 Tab Collar

- Galvanized steel construction
- For use with fiberglass-backed ceiling diffusers
- Tabbed for easy installation
- Accepts 3800 Series damper

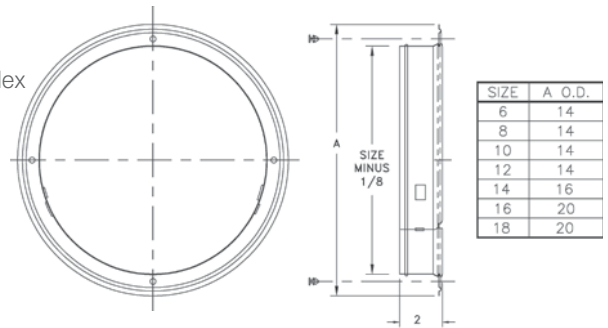
6400 Series Available Sizes				
6"	8"	10"	12"	14"



5400 Series Collar Ring*

- Unique snap-in design for easy installation
- 2" high collar permits easy flex connections
- Bead on collar improves the strength and provides retention for flexible duct connections

5400 Series Available Sizes								
6"	7"	8"	9"	10"	12"	14"*	16"	18"



*14" collar is mounted to diffuser at factory for steel back panels only.

Note: Uses 5400PP (black push pins) with insulated back panels (non-steel).



5400PP Push Pins

- Attaches 5400 collar to molded fiberglass back for the following products:

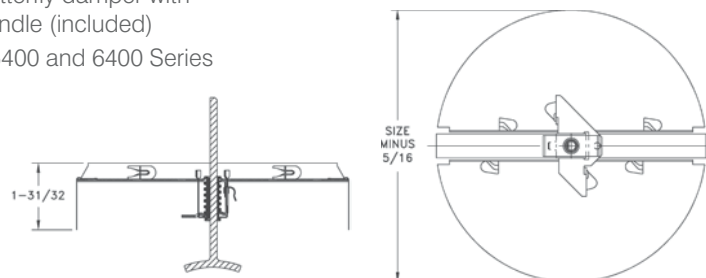
- 659TI 1 1/4" long
- PFTI 1 1/4" diameter head
- REN
- RENPS/RENPS R6
- RE5TI
- 96AFBTI
- REN4
- HVS R6
- SRET/SRET R6



3800 Series Damper

- Adjustable butterfly damper with removable handle (included)
- For use with 5400 and 6400 Series collars
- Golden Sand finish

3800 Series Available Sizes						
6"	7"	8"	9"	10"	12"	14"



Suggested Specifications

Surfaire® T-Bar Diffusers

Furnish and install Hart & Cooley SurfAire® insulated ceiling diffusers as shown on the plans. The diffuser shall be a 2'x2' T-Bar lay-in. Face shall be stucco embossed aluminum with off-white baked enamel finish for ceiling aesthetics, corrosion protection and ease of cleaning. Face will have formed deflector apertures which distribute air in thin layers along the ceiling surface and which provide for optimum dispersion in one, two, three, four-way or two-way corner patterns.

Back panel shall be formed galvanized steel covered with glass fiber insulation and an aluminum foil vapor barrier. Insulation is held securely in place by face margin edge fold over. Insulation will be prescored to accept specified collar sizes.

5400 Series collars will be supplied providing efficient, tight attachment with bayonet fasteners to mating prepunched holes in back panel. Collars will provide flex duct locking tabs and damper mounting slots. Collar damper slots provide for damper attachment or removal at any time.

3800 Series, fully adjustable, butterfly dampers shall be supplied (if specified). Damper adjustment handle is inserted before or after damper is mounted and is removable at any time.

Perforated Insulated T-Bar Diffusers and Return Grilles
Contractor shall furnish and install Hart & Cooley PDS perforated diffuser or PDSD perforated diffuser with deflectors as indicated on the plans. Perforated diffusers shall be 2'x2' T-Bar lay-in. Exposed face will have a minimum 51% free area and be coated with off-white baked enamel finish. Deflectors (if specified) shall be fully adjustable, externally providing one, two, three, four-way or two-way corner air diffusion capability.

Back panel shall be black pre-coated formed steel covered with glass fiber insulation and an aluminum foil vapor barrier. Insulation is held securely in place by face margin edge fold over. Insulation is prescored to accept specified collar sizes.

5400 Series collars will be supplied providing efficient, tight attachment with bayonet fasteners to mating pre-punched holes in back panel. Collars will provide flex duct locking tabs and damper mounting slots. Collar damper slots provide for damper attachment or removal at any time.

3800 Series fully adjustable butterfly dampers shall be supplied (if specified). Damper adjustment handle is inserted before or after damper is mounted and is removable at any time.

Matching Hart & Cooley PDR perforated return air grilles shall be furnished according to the plans.

Removable Face Perforated T-Bar Diffusers and Return Grilles
Contractor shall furnish and install Hart & Cooley RFPS series perforated diffusers as indicated on the plans. Exposed face will be of a removable hinged style with a minimum 51% free area and be coated with white baked enamel finish. Deflectors are to be the patented, directable deflector to ensure proper adjustable air deflection. Back panel shall be black, pre-coated, formed steel to minimize sight into diffuser.

5400 Series collars will be supplied providing efficient, tight attachment with bayonet fasteners to mating pre-punched holes in back panel. Collars will provide flex duct locking tabs and amper mounting slots. Collar damper slots provide for damper attachment or removal at any time.

3800 Series fully adjustable butterfly dampers shall be supplied (if specified). Damper adjustment handle is inserted before or after damper is mounted and is removable at any time.

Matching Hart & Cooley RFPR perforated return air grilles shall be furnished according to the plans.

High Volume Supply T-Bar Diffuser

Contractor shall furnish and install Hart & Cooley HVS high volume supply 2'x2' T-Bar lay-in diffuser as shown on the plans. This diffuser will consist of a formed back panel and three stepdown formed elements, all made of heavy gauge steel. Finish shall be an off-white baked enamel. Interior air diffusion elements are easily removable at any time without tools for access to damper control rod. The air diffusion pattern shall be a full 360°.

The back panel shall be fully insulated with fiberglass having an aluminum foil vapor barrier. Insulation is held rigidly in place with adhesive and will be prescored to accept specified collar sizes.

5400 Series collars will be supplied providing efficient, tight attachment with bayonet fasteners to mating pre-punched holes in back panel. Collars will provide flex duct locking tabs and amper mounting slots. Collar damper slots provide for damper attachment or removal at any time.

3800 Series fully adjustable butterfly dampers shall be supplied (if specified). Damper adjustment handle is inserted before or after damper is mounted and is removable at any time.

Fixed Pattern T-Bar Diffuser

Contractor shall furnish and install Hart & Cooley FPD fixed pattern diffuser 2'x2' T-Bar lay-in as shown on the plans. This diffuser will consist of a formed back panel and two stepdown formed elements, all made of heavy gauge steel. Finish shall be an off-white baked enamel. Interior air diffusion elements are easily removable at any time without tools for access to damper or neck. The air diffusion pattern shall be a full 360°.

3800 Series fully adjustable butterfly dampers shall be supplied (if specified) and can be adjustable through the face.