

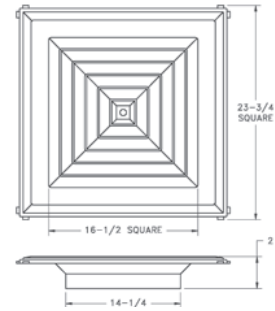
# T-Bar Rezzin Diffusers



## 4-Way Rezzin T-Bar Diffuser

- Engineered polymer construction
- Four-way deflection
- Available with Rezzin square-to-round, ordered separately
- Bright White finish
- Contains metal screws

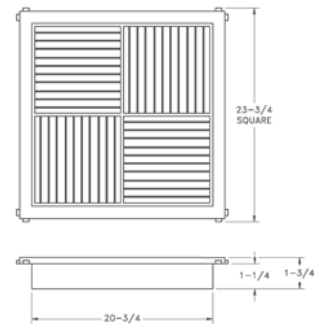
**4-Way Diffuser Available Size (in.)**  
24 x 24



## Rezzin T-Bar Modular Core Diffuser

- Engineered polymer construction
- Modular cores provide one, two, three, or four-way horizontal air patterns
- Removable modules provide easy access to accessories
- Available with Rezzin back panel, ordered separately
- Bright White finish

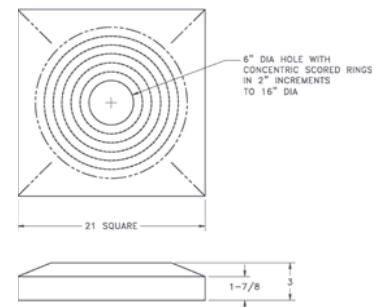
**Modular Core Available Size (in.)**  
24 x 24



## Rezzin Back Panel

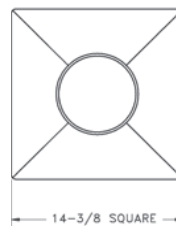
- Engineered polymer construction
- Use 6400 Series Tab Collar
- Bright White finish
- Use with Rezzin Modular Core and Rezzin Egg Crate diffuser

**Back Panel Available Size (in.)**  
24 x 24

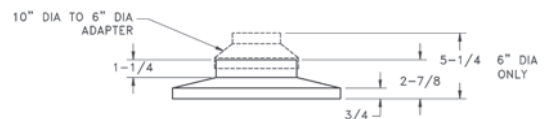


## Rezzin Square-to-Round Transition

- Engineered polymer construction
- Allows flex duct installation for 4-Way Rezzin Diffuser
- Black finish
- Contains metal screws/clips
- Can use RD damper



Sq to Rd Available Sizes (in.)	
Square Size	Round Neck
14 x 14	6
14 x 14	8
14 x 14	10
14 x 14	12
14 x 14	14



4-Way Rezzin TBar Diffuser (Page 60)

		Neck Velocity FPM									
		400	500	600	700	800	900	1000	1200	1400	1600
6"	CFM	79	98	118	137	157	177	196	236	275	314
	Static Pressure	.003	.005	.006	.008	.011	.013	.016	.023	.031	.041
	Total Pressure	.015	.024	.034	.046	.060	.076	.094	.134	.183	.238
	NC	-	-	-	-	-	-	15	22	26	31
8"	CFM	140	175	209	244	279	314	349	419	489	559
	Static Pressure	.009	.014	.021	.028	.037	.046	.057	.082	.111	.145
	Total Pressure	.019	.030	.043	.058	.076	.096	.118	.170	.231	.301
	NC	-	-	-	-	18	22	23	31	35	39
10"	CFM	218	273	327	382	436	491	545	654	764	873
	Static Pressure	.009	.014	.021	.028	.037	.047	.058	.083	.113	.148
	Total Pressure	.019	.029	.042	.058	.075	.095	.117	.169	.230	.300
	NC	-	-	-	-	18	22	26	31	36	40
12"	CFM	314	393	471	550	628	707	785	942	1100	1257
	Static Pressure	.015	.022	.032	.044	.059	.076	.095	.142	.198	.264
	Total Pressure	.025	.038	.054	.074	.098	.126	.157	.231	.319	.422
	NC	-	-	-	-	18	20	26	29	36	41
14"	CFM	428	535	641	748	855	962	1069	1283	1497	1710
	Static Pressure	.015	.023	.033	.044	.057	.072	.089	.128	.175	.228
	Total Pressure	.025	.037	.053	.072	.094	.119	.146	.211	.287	.375
	NC	-	-	-	15	21	25	29	35	40	44

Throw Data - Terminal Velocity of 75 FPM

Neck Velocity	400	500	600	700	800	900	1000	1200	1400	1600
CFM	79	98	118	137	157	177	196	236	275	314
6"	3.1	3.9	4.6	5.4	6.2	7.0	7.7	9.3	10.8	12.4
CFM	140	175	209	244	279	314	349	419	489	559
8"	5.3	6.7	8.0	9.3	10.7	12.0	13.3	16.0	18.7	21.3
CFM	218	273	327	382	436	491	545	654	764	873
10"	6.3	7.9	9.4	11.0	12.6	14.1	15.7	18.8	22.0	25.1
CFM	314	393	471	550	628	707	785	942	1100	1257
12"	7.1	8.8	10.6	12.4	14.2	15.9	17.7	21.2	24.8	28.3
CFM	428	535	641	748	855	962	1069	1283	1497	1710
14"	9.1	11.3	13.6	15.9	18.1	20.4	22.7	27.2	31.8	36.3

Throw Data - Terminal Velocity of 150 FPM

Neck Velocity	400	500	600	700	800	900	1000	1200	1400	1600
CFM	79	98	118	137	157	177	196	236	275	314
6"	1.3	1.7	2.0	2.4	2.7	3.0	3.4	4.0	4.7	5.4
CFM	140	175	209	244	279	314	349	419	489	559
8"	2.2	2.7	3.3	3.8	4.4	4.9	5.5	6.6	7.7	8.8
CFM	218	273	327	382	436	491	545	654	764	873
10"	2.5	3.1	3.7	4.4	5.0	5.6	6.2	7.5	8.7	10.0
CFM	314	393	471	550	628	707	785	942	1100	1257
12"	3.8	4.8	5.8	6.7	7.7	8.6	9.6	11.5	13.4	15.3
CFM	428	535	641	748	855	962	1069	1283	1497	1710
14"	4.2	5.2	6.3	7.3	8.3	9.4	10.4	12.5	14.6	16.7

Rezzin Modular Core Tbar Diffuser (Page 60)

		Neck Velocity FPM									
		400	500	600	700	800	900	1000	1200	1400	1600
6"	CFM	79	98	118	137	157	177	196	236	275	314
	Static Pressure	.003	.005	.007	.010	.013	.017	.021	.030	.041	.054
	Total Pressure	.018	.023	.026	.035	.043	.067	.086	.120	.166	.209
	NC	-	-	-	-	-	16	20	24	30	34
8"	CFM	140	175	209	244	279	314	349	419	489	559
	Static Pressure	.004	.006	.008	.011	.014	.017	.020	.028	.036	.045
	Total Pressure	.013	.021	.030	.041	.053	.066	.081	.115	.155	.201
	NC	-	-	-	-	17	22	24	34	37	41
10"	CFM	218	273	327	382	436	491	545	654	764	873
	Static Pressure	.004	.007	.010	.013	.017	.022	.027	.039	.053	.069
	Total Pressure	.014	.021	.031	.042	.055	.070	.086	.124	.170	.222
	NC	-	-	-	17	22	26	34	42	44	48
12"	CFM	314	393	471	550	628	707	785	942	1100	1257
	Static Pressure	.006	.009	.012	.017	.022	.028	.034	.048	.065	.084
	Total Pressure	.015	.024	.035	.047	.061	.077	.095	.137	.186	.242
	NC	-	-	-	20	24	27	35	40	45	49
14"	CFM	428	535	641	748	855	962	1069	1283	1497	1710
	Static Pressure	.008	.013	.018	.024	.031	.040	.048	.069	.093	.120
	Total Pressure	.017	.030	.041	.056	.071	.090	.114	.144	.200	.278
	NC	-	-	15	23	27	34	39	44	48	51
16"	CFM	559	698	838	977	1117	1257	1396	1676	1955	2234
	Static Pressure	.012	.019	.028	.037	.048	.061	.075	.107	.145	.189
	Total Pressure	.022	.034	.049	.066	.086	.108	.134	.192	.260	.339
	NC	-	-	24	27	31	38	40	45	49	51