

## SECTION 4

### G-STRUT® Clamps

#### General:

G-STRUT® Clamps are inserted at any point along the open slot of strut products and bolted closed over the conduit, pipe or tubing. This allows for easy alignment and adjustment of multiple runs and secure mounting.

#### Material:

G-STRUT® Clamps are formed in punch presses and made from hot rolled steel conforming to ASTM standards A-366, A-570 and A-576.

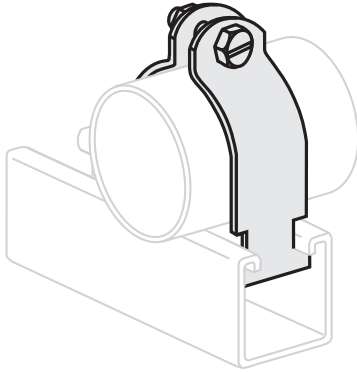
#### Finishes:

Standard finish is electro-plated. Also available in custom finishes, hot-dip galvanized, stainless, copper plated, aluminum, and yellow zinc. Consult factory for other finishes.



# CONDUIT CLAMPS

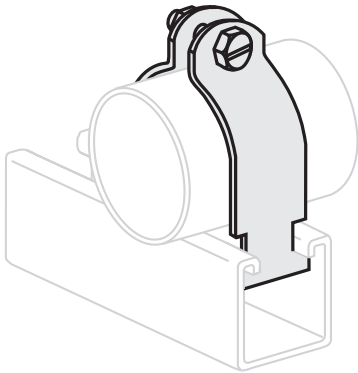
## CONDUIT CLAMPS - EMT ASSEMBLED



PART #	PIPE SIZE	CARTON QTY.	LBS./ 100pcs
GC110050ASMBL	1/2"	100	11
GC110075ASMBL	3/4"	100	12
GC110100ASMBL	1"	100	15
GC110125ASMBL	1-1/4"	100	18
GC110150ASMBL	1-1/2"	50	29
GC110200ASMBL	2"	50	33

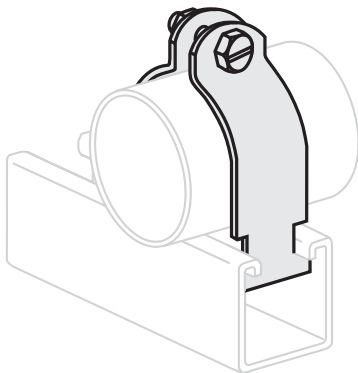
Clamps

## CONDUIT CLAMP - RIGID ASSEMBLED



PART #	PIPE SIZE	CARTON QTY.	LBS./ 100pcs	PART #	PIPE SIZE	CARTON QTY.	LBS./ 100pcs
GC112050ASMBL	1/2"	100	11	GC112300ASMBL	3"	50	47
GC112075ASMBL	3/4"	100	15	GC112350ASMBL	3-1/2"	25	62
GC112100ASMBL	1"	100	17	GC112400ASMBL	4"	25	67
GC112125ASMBL	1-1/4"	100	19	GC112500ASMBL	5"	25	80
GC112150ASMBL	1-1/2"	50	29	GC112600ASMBL	6"	25	102
GC112200ASMBL	2"	50	34	GC112800ASMBL	8"	25	130
GC112250ASMBL	2-1/2"	50	40	GC1121000ASMBL	10"	10	143

## CONDUIT CLAMP - UNIVERSAL ASSEMBLED



PART #	PIPE SIZE	CARTON QTY.	LBS./ 100pcs
GC114050ASMBL	1/2"	100	12
GC114075ASMBL	3/4"	100	13
GC114100ASMBL	1"	100	17
GC114125ASMBL	1-1/4"	100	20
GC114150ASMBL	1-1/2"	50	22
GC114200ASMBL	2"	50	23

\* FINISH: ELECTRO-GALVANIZED • RIGID CLAMPS ARE ALSO AVAILABLE IN STAINLESS STEEL, HOT DIP GALVANIZED, YELLOW ZINC & ALUMINUM \*