

SECTION 3

G-Strut® Fittings & Accessories

General:

G-Strut® fittings and accessories allow the assembly of even complex support and storage designs with basic hand tools.

Material:

Most fittings are made from 1/4" thick carbon steel to an approximated 1-5/8" width to match or accommodate G-Strut® channel products. Note dimensions shown for assembly compatibility.

Finishes:

Standard finish for accessories is electro-galvanized. Consult factory for other finishes.

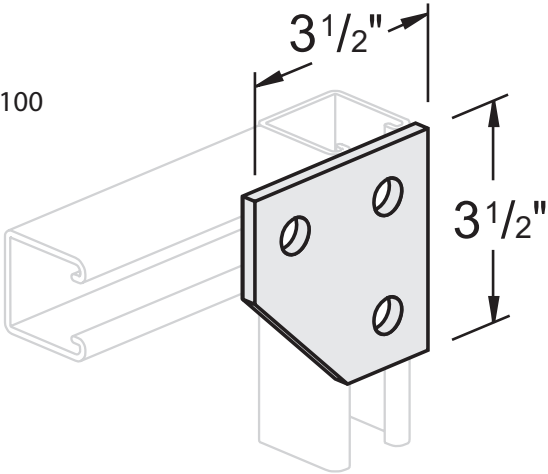


FLAT PLATE FITTINGS

Fittings & Accessories

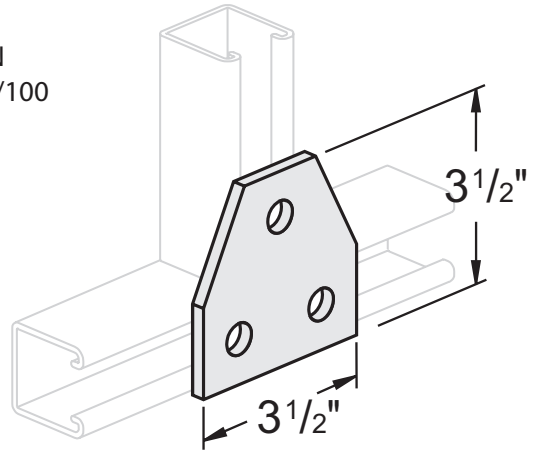
3 HOLE CORNER CONNECTOR

G211
25/CTN
70 LBS/100



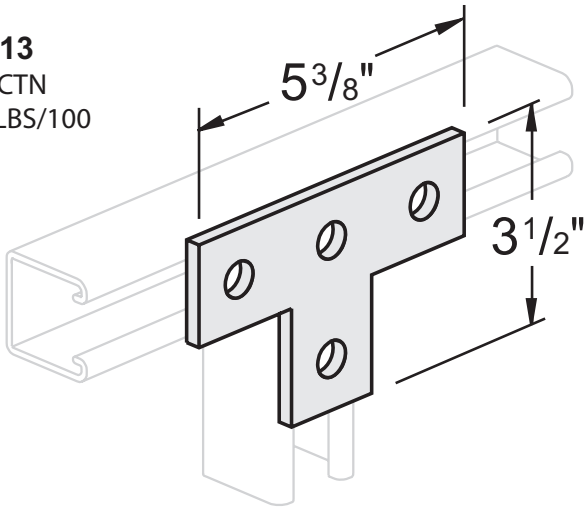
3 HOLE CONNECTOR PLATE

G212
50/CTN
70 LBS/100



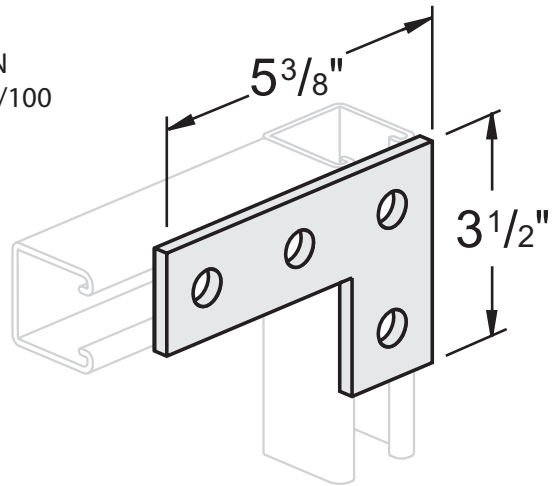
4 HOLE TEE PLATE

G213
25/CTN
66 LBS/100



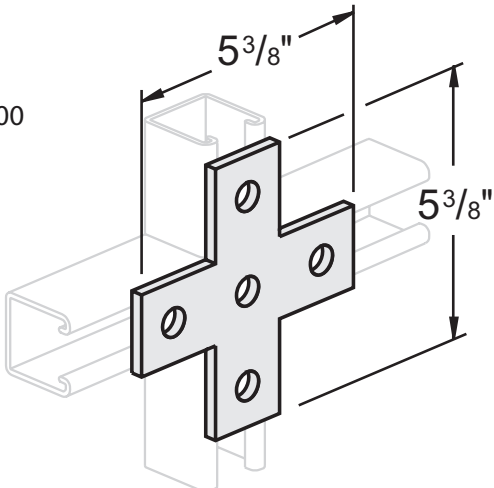
4 HOLE CORNER JOINER PLATE

G214
20/CTN
69 LBS/100



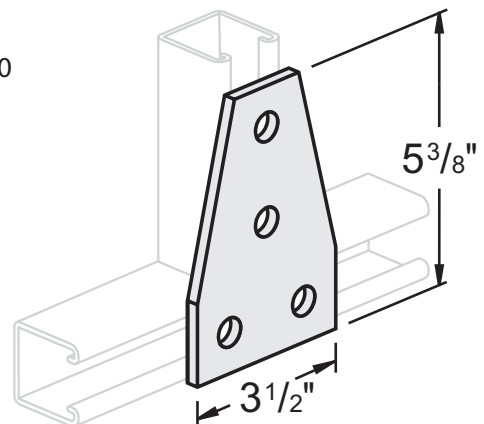
5 HOLE CROSS PLATE

G216
25/CTN
90 LBS/100



4 HOLE CONNECTOR PLATE

G217
25/CTN
93 LBS/100



* MATERIAL IS 1-5/8" WIDE x 1/4" THICK UNLESS SPECIFIED • HOLES ARE 9/16" DIAMETER UNLESS SPECIFIED *