

## SECTION 3

### G-Strut® Fittings & Accessories

**General:**

G-Strut® fittings and accessories allow the assembly of even complex support and storage designs with basic hand tools.

**Material:**

Most fittings are made from 1/4" thick carbon steel to an approximated 1-5/8" width to match or accommodate G-Strut® channel products. Note dimensions shown for assembly compatibility.

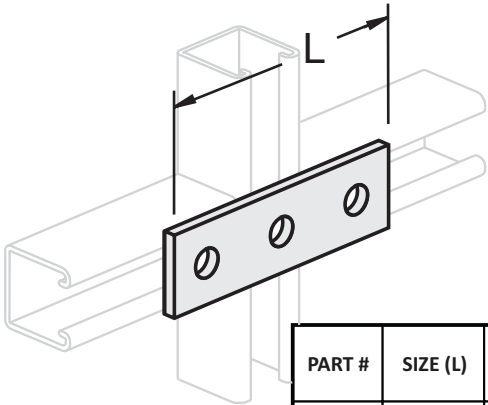
**Finishes:**

Standard finish for accessories is electro-galvanized. Consult factory for other finishes.



# FLAT PLATE FITTINGS

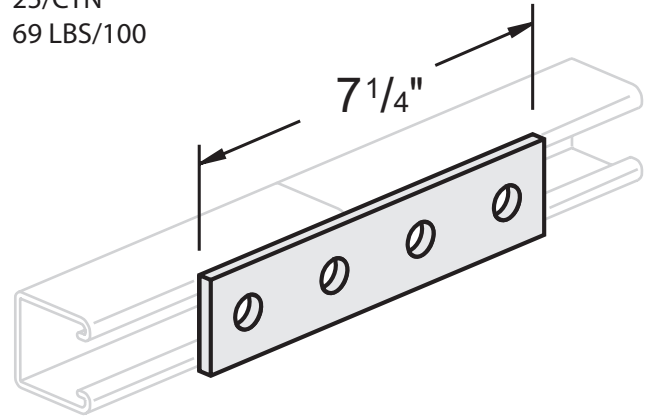
## 3 HOLE SPLICE PLATE



PART #	SIZE (L)	CARTON QTY.	LBS./100pcs
G206	5-3/8"	50	58
G2061	4-7/8"	20	50

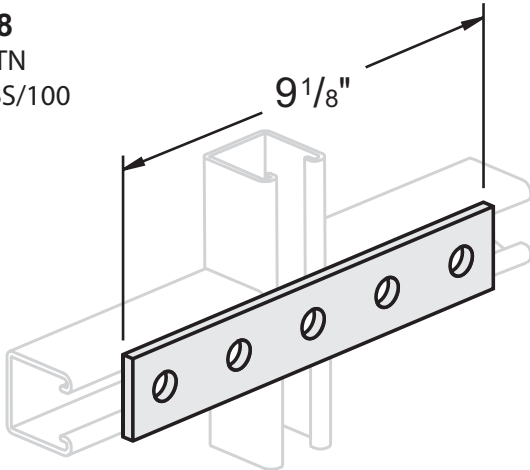
## 4 HOLE SPLICE PLATE

**G205**  
25/CTN  
69 LBS/100



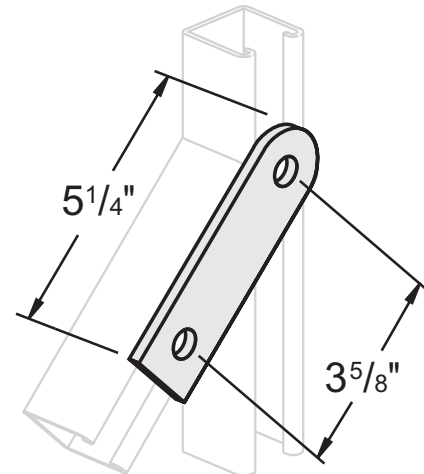
## 5 HOLE CONNECTOR PLATE

**G208**  
25/CTN  
95 LBS/100



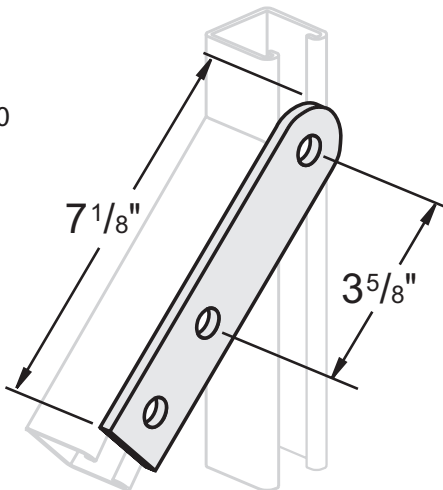
## 2 HOLE SWIVEL PLATE

**G2071**  
25/CTN  
49 LBS/100



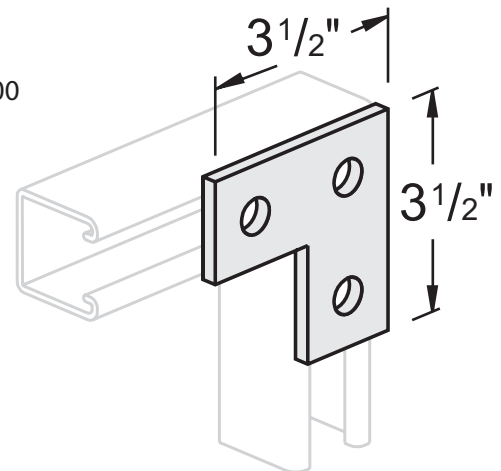
## 3 HOLE SWIVEL PLATE

**G207**  
25/CTN  
76 LBS/100



## 3 HOLE FLAT ANGLE PLATE

**G210**  
50/CTN  
50 LBS/100



\* MATERIAL IS 1-5/8" WIDE x 1/4" THICK UNLESS SPECIFIED • HOLES ARE 9/16" DIAMETER UNLESS SPECIFIED \*