

## Slug-Buster® Ram and Hand Pump Kits Parts List

CAT NO.	UPC NO.	DESCRIPTION	HOLE SIZE				KIT CAT./UPC NO.				
			CONDUIT & PIPE SIZE	ACTUAL		7646/15906	7306SB/34360	7310SB/34361	7646PGSB/32799	38520	
				Ø INCH	Ø MM						
721-1/2	31756	1/2" Conduit Size Slug-Buster® Punch					✓	✓	✓	✓	
14722	14722	1/2" Conduit Size Die	1/2"	7/8	0.885	22.5		✓	✓	✓	
721-3/4	31757	3/4" Conduit Size Slug-Buster® Punch					✓	✓		✓	
124AV	06972	3/4" Conduit Size Die	3/4"	1-1/8	1.115	28.3		✓	✓	✓	
721-1	31758	1" Conduit Size Slug-Buster® Punch					✓	✓		✓	
126AV	04011	1" Conduit Size Die	1"	1-3/8	1.362	34.6		✓	✓	✓	
721-1-1/4	31759	1-1/4" Conduit Size Slug-Buster® Punch					✓	✓		✓	
128AV	04013	1-1/4" Conduit Size Die	1-1/4"	1-11/16	1.701	43.2		✓	✓	✓	
721-1-1/2	31760	1-1/2" Conduit Size Slug-Buster® Punch					✓	✓		✓	
440AV	04061	1-1/2" Conduit Size Die	1-1/2"	1-15/16	1.951	49.6		✓	✓	✓	
721-2	31761	2" Conduit Size Slug-Buster® Punch					✓	✓		✓	
442AV	04063	2" Conduit Size Die	2"	2-3/8	2.416	61.5		✓	✓	✓	
1429AV	04175	2-1/2" Conduit Size Punch						✓		✓	
1430AV	04177	2-1/2" Conduit Size Die	2-1/2"	2-7/8	2.914	74.0		✓		✓	
1431AV	04180	3" Conduit Size Punch						✓		✓	
1432AV	04183	3" Conduit Size Die	3"	3-1/2	3.539	89.9		✓		✓	
2982AV	04653	3-1/2" Conduit Size Punch						✓			
2981AV	04652	3-1/2" Conduit Size Die	3-1/2"	4	4.044	102.7		✓			
2984AV	04655	4" Conduit Size Punch						✓		✓	
2983AV	04654	4" Conduit Size Die	4"	4-1/2	4.544	115.4		✓		✓	
31969	31969	Pg-9 Slug-Buster® Punch	—	—	0.598	15.2			✓		
32002	32002	Pg-9 Die	—	—					✓		
31970	31970	Pg-11 Slug-Buster® Punch	—	—	0.732	18.6			✓		
32003	32003	Pg-11 Die	—	—					✓		
31971	31971	Pg-13 Slug-Buster® Punch	—	—	0.803	20.4			✓		
32004	32004	Pg-13 Die	—	—					✓		
31973	31973	Pg-21 Slug-Buster® Punch							✓		
32006	32006	Pg-21 Die	3/4"	—	1.115	28.3			✓		
36284	36284	Slug-Buster® Punch	—						✓		
36279	36279	Die	—	1-7/32	1.210	30.5			✓		
31975	31975	Pg-29 Slug-Buster® Punch	—	—	1.457	37.0			✓		
32008	32008	Pg-29 Die	—	—					✓		
31976	31976	Pg-36 Slug-Buster® Punch	—	—	1.850	47.0			✓		
32009	32009	Pg-36 Die	—	—					✓		
31978	31978	Pg-48 Slug-Buster® Punch	—	—	2.362	60.0			✓		
32011	32011	Pg-48 Die	—	—					✓		
746	17091	Ram (includes following item)					✓	✓	✓	✓	
2113B	10109	Draw Stud-3/4" x 5 3/8"					✓	✓	✓	✓	
1557AA	03170	Punch Sleeve					✓	✓	✓	✓	
20963	20963	Draw stud-3/8" x 4.8"					✓	✓	✓	✓	
15908	15908	Spacer Group (includes 1 ea. of following 3 items)					✓	✓	✓	✓	
1924AA	03248	Spacer-Short					✓	✓	✓	✓	
1925AA	03249	Spacer-Medium					✓	✓	✓	✓	
1926AA	06904	Spacer-Long					✓	✓	✓	✓	
34410	34410	Kwik Stepper® Step Bit 1/2"					✓	✓	✓	✓	
767	13284	Hydraulic Hand Pump					✓	✓	✓	✓	
06302	06302	High Pressure Hose – 1/4" x 3'					✓	✓	✓		
30206	30206	Plastic Case					✓	✓	✓		
05387	05387	Plastic Case							✓	✓	

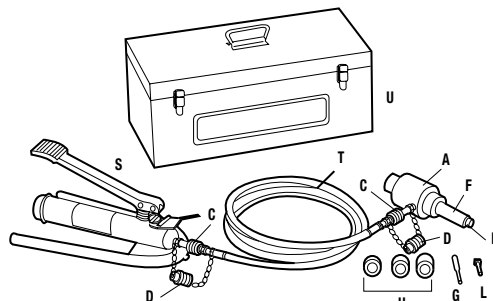
PUNCHES AND DIES

DRAW STUDS AND MISC.

## Ram and Foot Pump Kits Parts List

CAT NO.	UPC NO.	DESCRIPTION	HOLE SIZE				KIT CAT./UPC NO.		
			CONDUIT & PIPE SIZE	ACTUAL		7625/ 25097	7606SB/ 07173	7610SB/ 07174	
				Ø INCH	Ø MM				
PUNCHES AND DIES	721-1/2	31756	1/2" Conduit Size Slug-Buster® Punch	1/2"	7/8	0.885	22.5	✓	✓
	14722	14722	1/2" Conduit Size Die					✓	✓
	721-3/4	31757	3/4" Conduit Size Slug-Buster® Punch	3/4"	1-1/8	1.115	28.3	✓	✓
	124AV	06972	3/4" Conduit Size Die					✓	✓
	721-1	31758	1" Conduit Size Slug-Buster® Punch	1"	1-3/8	1.362	34.6	✓	✓
	126AV	04011	1" Conduit Size Die					✓	✓
	721-1-1/4	31759	1-1/4" Conduit Size Slug-Buster® Punch	1-1/4"	1-11/16	1.701	43.2	✓	✓
	128AV	04013	1-1/4" Conduit Size Die					✓	✓
	721-1-1/2	31760	1-1/2" Conduit Size Slug-Buster® Punch	1-1/2"	1-15/16	1.951	49.6	✓	✓
	440AV	04061	1-1/2" Conduit Size Die					✓	✓
	721-2	31761	2" Conduit Size Slug-Buster® Punch	2"	2-3/8	2.416	61.5	✓	✓
	442AV	04063	2" Conduit Size Die					✓	✓
	1429AV	04175	2-1/2" Conduit Size Punch	2-1/2"	2-7/8	2.914	74.0	✓	✓
	1430AV	04177	2-1/2" Conduit Size Die					✓	✓
	1431AV	04180	3" Conduit Size Punch	3"	3-1/2	3.539	89.9	✓	✓
	1432AV	04183	3" Conduit Size Die					✓	✓
	2982AV	04653	3-1/2" Conduit Size Punch	3-1/2"	4	4.044	102.7	✓	✓
	2981AV	04652	3-1/2" Conduit Size Die					✓	✓
	2984AV	04655	4" Conduit Size Punch	4"	4-1/2	4.544	115.4	✓	✓
	2983AV	04654	4" Conduit Size Die					✓	✓
DRAW STUDS AND MISC.	746	17091	(A) Ram (includes 1 ea. of items B, C, and D)	✓	✓	✓			
	2113B	10109	(B) Draw Stud-3/4" x 5 3/8"	✓	✓	✓			
	54167	54167	(C) Female Coupler-1/4"	✓	✓	✓			
	54168	54168	(D) Dust Plug	✓	✓	✓			
	1557AA	03170	(F) Punch Sleeve	✓	✓	✓			
	20963	20963	(G) Draw stud-3/8" x 4.8"	✓	✓	✓			
	15908	15908	(H) Spacer Group (includes 1 ea. of items I, J, and K)	✓	✓	✓			
	1924AA	03248	(I) Spacer-Short	✓	✓	✓			
	1925AA	03249	(J) Spacer-Medium	✓	✓	✓			
	1926AA	06904	(K) Spacer-Long	✓	✓	✓			
	34410	34410	(L) Kwik Stepper® Step Bit 1/2"	✓	✓	✓			
	1725	31353	(S) Hydraulic Foot Pump (includes 1 ea. - 54167 female coupler and 54168 dust plug)	✓	✓	✓			
	37729	37729	(T) High Pressure Hose Unit - 1/4" x 10'; filled with hydraulic oil; (includes the following 2 items)	✓	✓	✓			
	54169	54169	Couplers	2	2	2			
	54170	54170	Dust Caps	2	2	2			
23955	23955	(U) Steel case	✓	✓	✓				
25094	25094	Tray	✓	✓	✓				

**RAM AND FOOT PUMP HYDRAULIC DRIVER PARTS IDENTIFICATION**  
(Match letters above to drawing.)



## Parts List for Quick Draw®, Quick Draw 90® and Quick Draw® Flex Kits

CAT NO.	UPC NO.	DESCRIPTION	HOLE SIZE				KIT CAT./UPC NO.										
			CONDUIT & PIPE SIZE	ACTUAL		7704SB/10475	7706SB/10476	7804E/34291	7804ESB/35611	7804ISO/35614	7804SB/34292	7806SB/34293	7904E/34299	7904ESB/35615	7904ISO/35616	7904SB/33794	7906SB/34300
				Ø INCH	Ø MM												
721-1/2	31756	1/2" Conduit Size Slug-Buster® Punch	1/2"	7/8	0.885	22.5		✓		✓		✓		✓		✓	
14722	14722	1/2" Conduit Size Die						✓			✓		✓			✓	
721-3/4	31757	3/4" Conduit Size Slug-Buster® Punch	3/4"	—	1.115	28.3		✓			✓					✓	
124AV	06972	3/4" Conduit Size Die						✓			✓					✓	
721-1	31758	1" Conduit Size Slug-Buster® Punch	1"	—	1.362	34.6		✓			✓					✓	
126AV	04011	1" Conduit Size Die						✓			✓					✓	
721-1-1/4	31759	1-1/4" Conduit Size Slug-Buster® Punch	1-1/4"	1-11/16	1.701	43.2		✓			✓					✓	
128AV	04013	1-1/4" Conduit Size Die						✓			✓					✓	
721-1-1/2	31760	1-1/2" Conduit Size Slug-Buster® Punch	1-1/2"	1-15/16	1.951	49.6		✓			✓					✓	
440AV	04061	1-1/2" Conduit Size Die						✓			✓					✓	
721-2	31761	2" Conduit Size Slug-Buster® Punch	2"	2-3/8	2.416	61.5		✓			✓					✓	
442AV	04063	2" Conduit Size Die						✓			✓					✓	
31969	31969	Pg-9 Slug-Buster® Punch	—	—	0.598	15.2										✓	
32002	32002	Pg-9 Die														✓	
31970	31970	Pg-11 Slug-Buster® Punch	—	—	0.732	18.6										✓	
32003	32003	Pg-11 Die														✓	
31971	31971	Pg-13 Slug-Buster® Punch	—	—	0.803	20.4										✓	
32004	32004	Pg-13 Die														✓	
31973	31973	Pg-21 Slug-Buster® Punch	3/4"	—	1.115	28.3										✓	
32006	32006	Pg-21 Die														✓	
36284	36284	30.5 mm Slug-Buster® Punch	—	1-7/32	1.210	30.5										✓	
36279	36279	30.5 mm Die														✓	
35163	35163	ISO-16 Slug-Buster® Punch	—	—	0.638	16.2										✓	
35162	35162	ISO-16 Die														✓	
35165	35165	ISO-25 Slug-Buster® Punch	—	1	1.000	25.4										✓	
35164	35164	ISO-25 Die														✓	
35169	35169	ISO-32 Slug-Buster® Punch	—	—	1.280	32.5										✓	
35168	35168	ISO-32 Die														✓	
35158	35158	ISO-40 Slug-Buster® Punch	—	—	1.595	40.5										✓	
35159	35159	ISO-40 Die														✓	
34288	34288	Quick Draw® Hydraulic Punch Driver															
33786	33786	Quick Draw 90® Hydraulic Punch Driver															
10383	10383	Quick Draw® Flex Driver						✓	✓								
1614SS	30043	Draw Stud - 3/8" x 2-13/16"						✓	✓	✓	✓	✓	✓	✓	✓	✓	
31872	31872	Draw Stud - 3/4" x 4-1/8"						✓	✓	✓	✓	✓	✓	✓	✓	✓	
1924AA	03248	Spacer - Short						✓	✓	✓	✓	✓	✓	✓	✓	✓	
33967	33967	Stud Adapter - 3/8"						✓	✓	✓	✓	✓	✓	✓	✓	✓	
35202	35202	Plastic Case										✓	✓	✓			
34983	34983	Plastic Case													✓	✓	
10391	10391	Plastic Case						✓	✓								