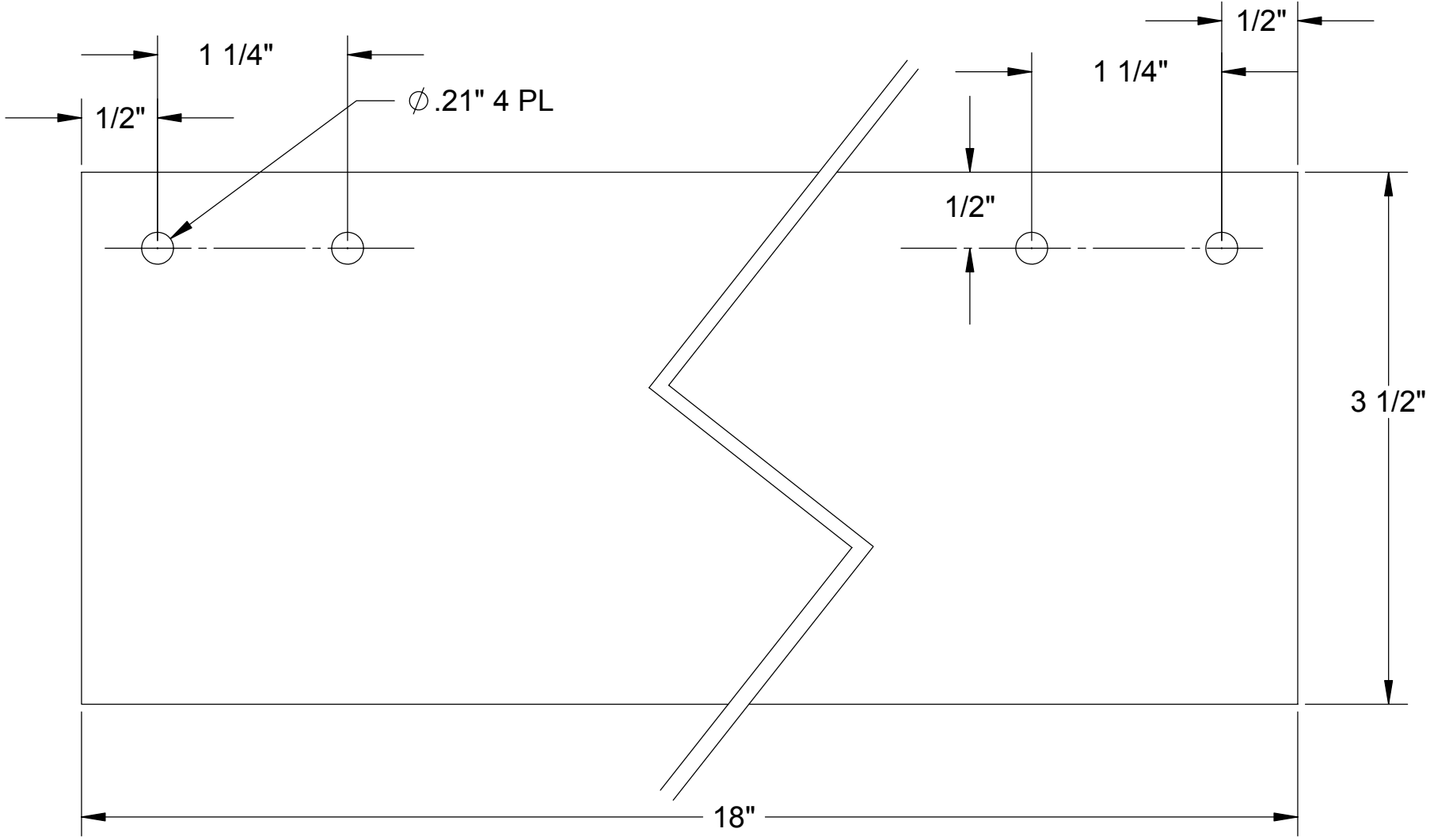


THE INFORMATION CONTAINED IN THIS DRAWING IS THE SOLE PROPERTY OF GREENFIELD MFG CO ANY REPRODUCTION IN PART OR WHOLE WITHOUT THE WRITTEN PERMISSION OF GREENFIELD MFG CO IS PROHIBITED.



Made in USA

UNLESS OTHERWISE SPECIFIED DIMENSIONS ARE IN INCHES		CAD GENERATED DRAWING, DO NOT MANUALLY UPDATE		GREENFIELD MFG CO	
TOLERANCES ARE:		APPROVALS	DATE	920 LEVICK ST , PHILA.,PA. 19111	
FRACTIONS	DECIMALS	EG	1/05	P/N PROTECTOR PLATE	
+/- 1/8	.XX +/- .03	SB	1/05	A	FIG 935 - 18
	.XXX +/- .01				REV.
MATERIAL				SCALE	
STEEL 16 GA.				CAD FILE:	
DO NOT SCALE DRAWING				SHEET OF	