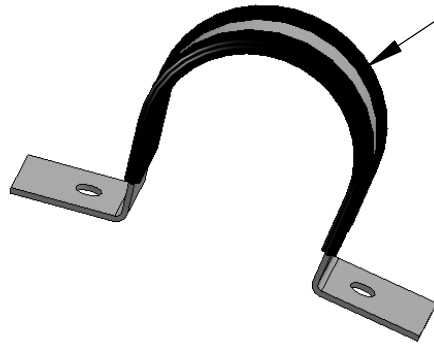
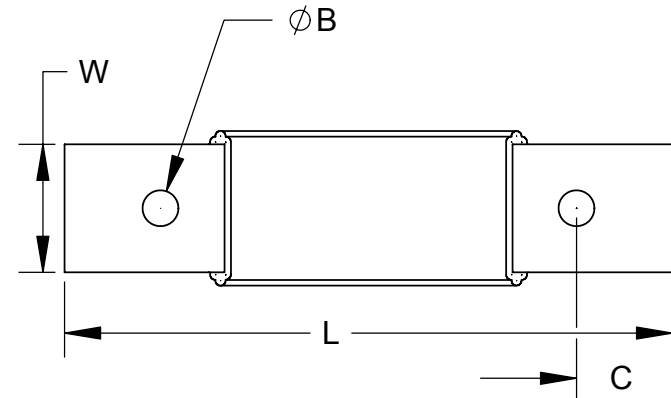
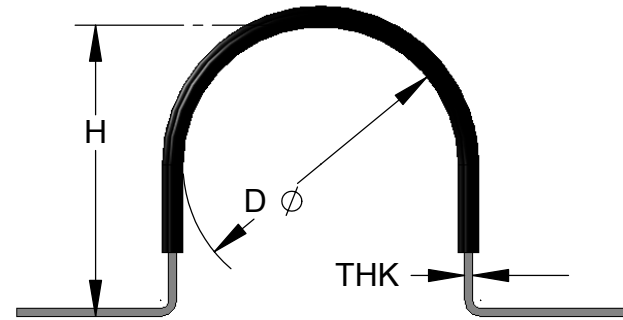


THE INFORMATION CONTAINED IN THIS DRAWING IS THE SOLE PROPERTY OF GREENFIELD MFG CO ANY REPRODUCTION IN PART OR WHOLE WITHOUT THE WRITTEN PERMISSION OF GREENFIELD MFG CO IS PROHIBITED.



**SHAPED TO SNAP ON PIPE**



**SHOWN AS APPLIED**

**EXTRUSION COATING MATERIAL:  
SYLVIN 8925-80  
HARDNESS 80-90 A DUROMETER  
TENSIL STRENGTH 2400  
ELOGATION % 375**

SIZE	D	H	Thk	W	L	B	C
<b>+Tol</b>	<b>.06</b>	<b>.03</b>	<b>U S</b>	<b>.12</b>	<b>.25</b>	<b>.032</b>	<b>.06</b>
<b>-Tol</b>	<b>.02</b>	<b>.06</b>	<b>Gage</b>	<b>.03</b>	<b>.12</b>	<b>.015</b>	<b>.03</b>
<b>3/8</b>	<b>.69</b>	<b>.68</b>	<b>20 Ga</b>	<b>.75</b>	<b>2.38</b>	<b>.200</b>	<b>0.38</b>
<b>1/2</b>	<b>.84</b>	<b>.84</b>	<b>20 Ga</b>	<b>.75</b>	<b>2.62</b>	<b>.200</b>	<b>0.38</b>
<b>3/4</b>	<b>1.05</b>	<b>1.05</b>	<b>19 Ga</b>	<b>.75</b>	<b>2.75</b>	<b>.200</b>	<b>0.38</b>
<b>1</b>	<b>1.31</b>	<b>1.31</b>	<b>18 Ga</b>	<b>.75</b>	<b>3.40</b>	<b>.281</b>	<b>0.38</b>
<b>1-1/4</b>	<b>1.66</b>	<b>1.66</b>	<b>16 Ga</b>	<b>1.0</b>	<b>4.25</b>	<b>.281</b>	<b>0.50</b>
<b>1-1/2</b>	<b>1.90</b>	<b>1.90</b>	<b>16 Ga</b>	<b>1.0</b>	<b>4.38</b>	<b>.281</b>	<b>0.50</b>
<b>2</b>	<b>2.38</b>	<b>2.38</b>	<b>16 Ga</b>	<b>1.0</b>	<b>4.75</b>	<b>.281</b>	<b>0.60</b>
<b>3</b>	<b>3.50</b>	<b>3.50</b>	<b>14 Ga</b>	<b>1.0</b>	<b>6.10</b>	<b>.281</b>	<b>0.60</b>
<b>4</b>	<b>4.50</b>	<b>4.50</b>	<b>14 Ga</b>	<b>1.0</b>	<b>7.40</b>	<b>.281</b>	<b>0.60</b>

**made in USA**

UNLESS OTHERWISE SPECIFIED  
DIMENSIONS ARE IN INCHES  
TOLERANCES ARE:  
FRACTIONS    DECIMALS    ANGLES  
+/- 1/8    .XX +/- .03    .XX + 1  
              .XXX +/- .01

MATERIAL **PRE GALVANIZED SHEET STEEL**

DO NOT SCALE DRAWING

CAD GENERATED DRAWING,  
DO NOT MANUALLY UPDATE

APPROVALS	DATE
DRAWN EG	12/12
CHECKED SB	

**GREENFIELD MFG CO**

920 LEVICK ST , PHILA.,PA. 19111

P/N **PIPE STRAP, COATED**

A **FIG 603** REV.

SCALE CAD FILE: SHEET OF