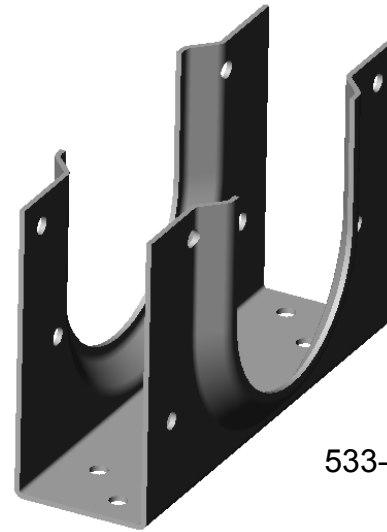
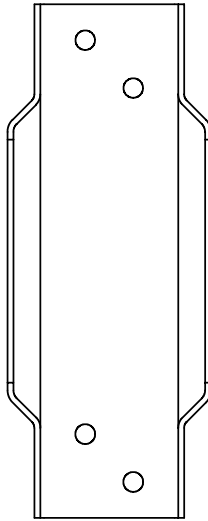
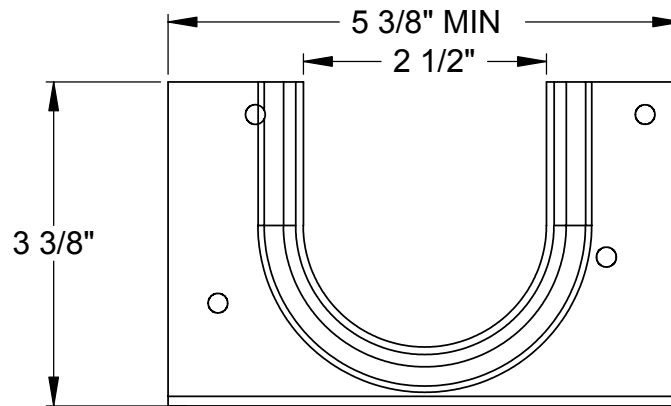
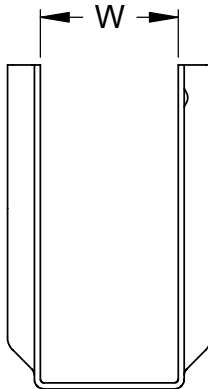


THE INFORMATION CONTAINED IN THIS DRAWING IS THE SOLE PROPERTY OF GREENFIELD MFG CO ANY REPRODUCTION IN PART OR WHOLE WITHOUT THE WRITTEN PERMISSION OF GREENFIELD MFG CO IS PROHIBITED.



533-1 SHOWN



**Made in USA**

NOT A TOTAL REPLACEMENT FOR MATERIAL REMOVED

NOT FOR LOAD BEARING WALLS

INSTALL PER DIRECTIONS

FIG	W WIDTH	MAX LOAD	AVG ULT	NAILS
533-1	1.50	552 LBS	3255 LBS	12-10d X1.5
533-2	3.00	810 LBS	6568 LBS	12-10d
533-3	4.50	945 LBS	7489 LBS	14-10d

UNLESS OTHERWISE SPECIFIED DIMENSIONS ARE IN INCHES TOLERANCES ARE: FRACTIONS DECIMALS ANGLES + .XX+ .XX + 1 .XXX+.XXX		CAD GENERATED DRAWING, DO NOT MANUALLY UPDATE		<b>GREENFIELD MFG CO</b>	
APPROVALS		DATE		920 LEVICK ST , PHILA.,PA. 19111	
DRAWN EG		6/06		P/N FIG 533 STUD SHOE	
CHECKED SB		6/06		REV D	
MATERIAL STEEL 16 GA.				REV.	
FINISH GALVANIZED				SCALE	
DO NOT SCALE DRAWING				CAUTER STD SH1D.SLDRW	

SEE TEST RESULTS AT [WWW.GFM.BIZ](http://WWW.GFM.BIZ)

SHEET OF