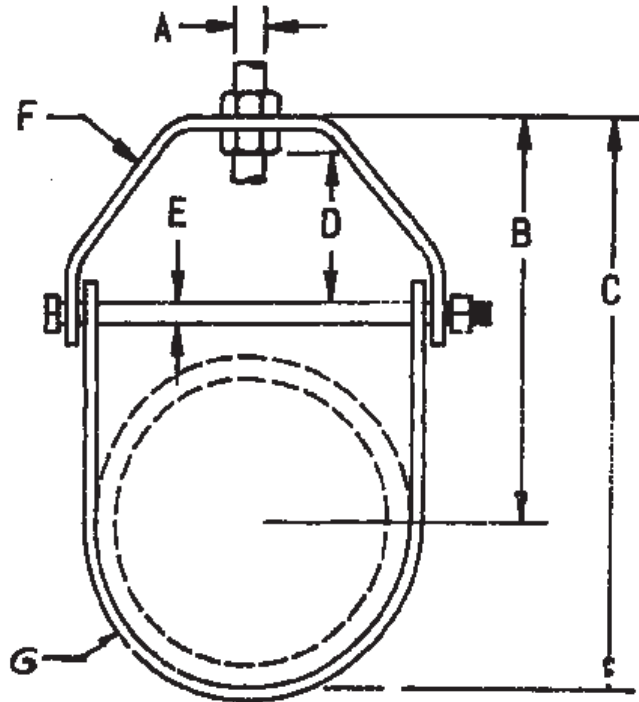


THE INFORMATION CONTAINED IN THIS DRAWING IS THE SOLE PROPERTY OF GREENFIELD MFG CO ANY REPRODUCTION IN PART OR WHOLE WITHOUT THE WRITTEN PERMISSION OF GREENFIELD MFG CO IS PROHIBITED. COPYRIGHT 2009 .ALL RIGHTS RESERVED.



SIZE	A	B	C	D	E	F - TOP (MIN THK)	G - BOTTOM (MIN THK)	LOAD RATING
1/2	3/8	1.5	2.0	.62	1/4	18ga x .75 (.045)	18ga x .75 (.045)	150 LBS
3/4	3/8	1.5	2.0	.62	1/4	18ga x .75 (.045)	18ga x .75 (.045)	150 LBS
1	3/8	1.8	2.3	.62	1/4	18ga x .75 (.045)	18ga x .75 (.045)	150 LBS
1.25	3/8	2.2	2.8	.88	1/4	18ga x 1.0 (.050)	18ga x 1.0 (.045)	150 LBS
1.5	3/8	2.5	3.7	1.20	1/4	18ga x 1.0 (.050)	18ga x 1.0 (.045)	200 LBS
2	3/8	2.8	4.2	1.20	1/4	14ga x 1.0 (.068)	16ga x 1.0 (.060)	250 LBS
2.5	3/8	3.5	6.0	2.00	1/4	13ga x 1.0 (.080)	16ga x 1.0 (.060)	250 LBS
3	3/8	3.8	6.2	2.00	1/4	13ga x 1.0 (.080)	16ga x 1.0 (.060)	250 LBS
4	3/8	4.2	6.6	2.00	5/16	11ga x 1.25 (.110)	14ga x 1.25 (.070)	300 LBS
5	1/2	5.0	7.7	2.00	3/8	8ga x1.25 (.160)	8ga x1.25 (.130)	500 LBS
6	1/2	5.7	9.0	2.00	3/8	8ga x1.25 (.160)	8ga x1.25 (.130)	500 LBS

COMPLIES WITH MSS SP-58 AND SP-69 TY-1

made in USA

Greenfield Mfg Co Inc

920 Levick Street, Philadelphia PA. 19111-5498

Material
Steel

Clevis - Copper Tube

Finish
COPPER
PLATED

FIG. NO: 406
REV C 7/12