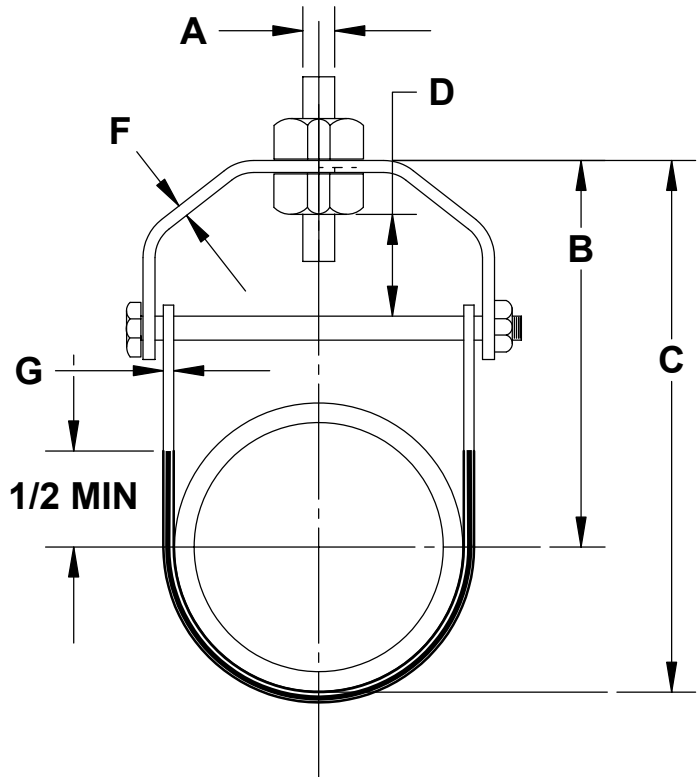


THE INFORMATION CONTAINED IN THIS DRAWING IS THE SOLE PROPERTY OF GREENFIELD MFG CO ANY REPRODUCTION IN PART OR WHOLE WITHOUT THE WRITTEN PERMISSION OF GREENFIELD MFG CO IS PROHIBITED.



Size	A	B	C	D	E	F-Top	G-Bottom	MAX REC LOAD (LBS)
1/2"	3/8"	1.5	2.0	0.62	1/4"	16ga x .75	18ga x .75	150
3/4"	3/8"	1.8	2.3	0.62	1/4"	16ga x .75	18ga x .75	200
1"	3/8"	2.2	2.8	0.88	1/4"	16ga x 1.0	18ga x 1.0	200
1.25"	3/8"	2.5	3.7	1.20	1/4"	16ga x 1.0	16ga x 1.0	200
1.5"	3/8"	2.8	4.0	1.20	1/4"	16ga x 1.0	16ga x 1.0	200
2"	3/8"	2.8	4.5	1.20	1/4"	14ga x 1.0	16ga x 1.0	250
2.5"	3/8"	3.8	6.0	2.00	1/4"	12ga x 1.0	14ga x 1.0	300
3"	3/8"	4.0	6.5	2.00	1/4"	12ga x 1.0	14ga x 1.0	300
4"	3/8"	4.7	7.0	2.00	5/16"	11ga x 1.25	14ga x 1.25	350

Made in USA

UNLESS OTHERWISE SPECIFIED DIMENSIONS ARE IN INCHES

TOLERANCES ARE:
 FRACTIONS DECIMALS ANGLES
 +/- 1/8 .XX +/- .03 .XX + 1
 .XXX +/- .01

MATERIAL
STEEL

DO NOT SCALE DRAWING

CAD GENERATED DRAWING,
 DO NOT MANUALLY UPDATE

APPROVALS	DATE
DRAWN EG	
CHECKED SB	

12/10

GREENFIELD MFG CO

920 LEVICK ST , PHILA.,PA. 19111

CLEVIS PLASTIC COATED

A P/N **FIG 404**

REV.

SCALE CAD FILE: SHEET OF