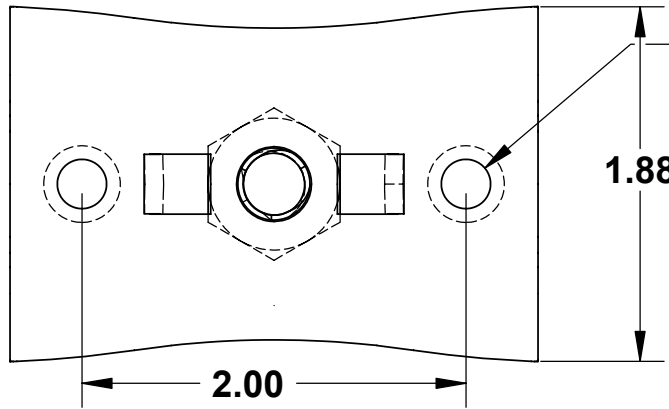
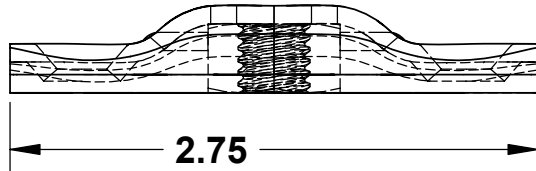


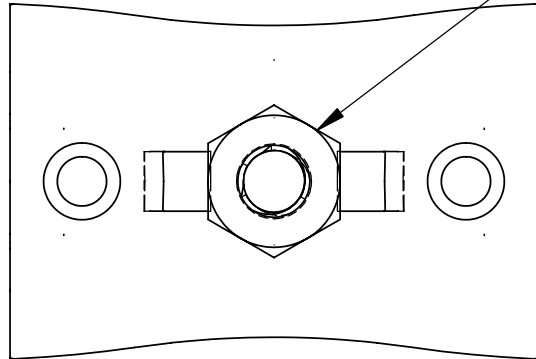
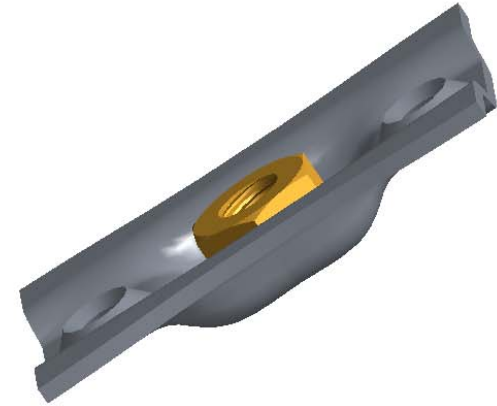
THE INFORMATION CONTAINED IN THIS DRAWING IS THE SOLE PROPERTY OF GREENFIELD MFG CO ANY REPRODUCTION IN PART OR WHOLE WITHOUT THE WRITTEN PERMISSION OF GREENFIELD MFG CO IS PROHIBITED.



ϕ .26
COUNTER SINK FOR
FLAT HEAD SCREW



HEAVY HEX NUT
ZINC PLATED
3/8- 16 UNC
FULLY CAPTIVATED



made in USA

**SAFE WORKING LOAD
200 POUNDS LIMITED BY
FASTENERS ATTACHED
PROOF TESTED AT 2000 LBS
TEST REPORTS AT WWW.GFM.BIZ**

UNLESS OTHERWISE SPECIFIED
DIMENSIONS ARE IN INCHES
TOLERANCES ARE:
FRACTIONS DECIMALS ANGLES
+/- 1/8 .XX +/- .03 .XX + 1
 .XXX +/- .01

MATERIAL
13 GA. GALV STEEL

DO NOT SCALE DRAWING

CAD GENERATED DRAWING,
DO NOT MANUALLY UPDATE

APPROVALS	DATE
DRAWN EG	9/12
CHECKED SB	9/12

GREENFIELD MFG CO

920 LEVICK ST , PHILA.,PA. 19111

BOWTIE FLANGE PLATE

A	P/N	FIG.389	REV.
---	-----	----------------	------

SCALE	CAD FILE:	FIG 389 BOWTIE	SHEET	OF
-------	-----------	-----------------------	-------	----