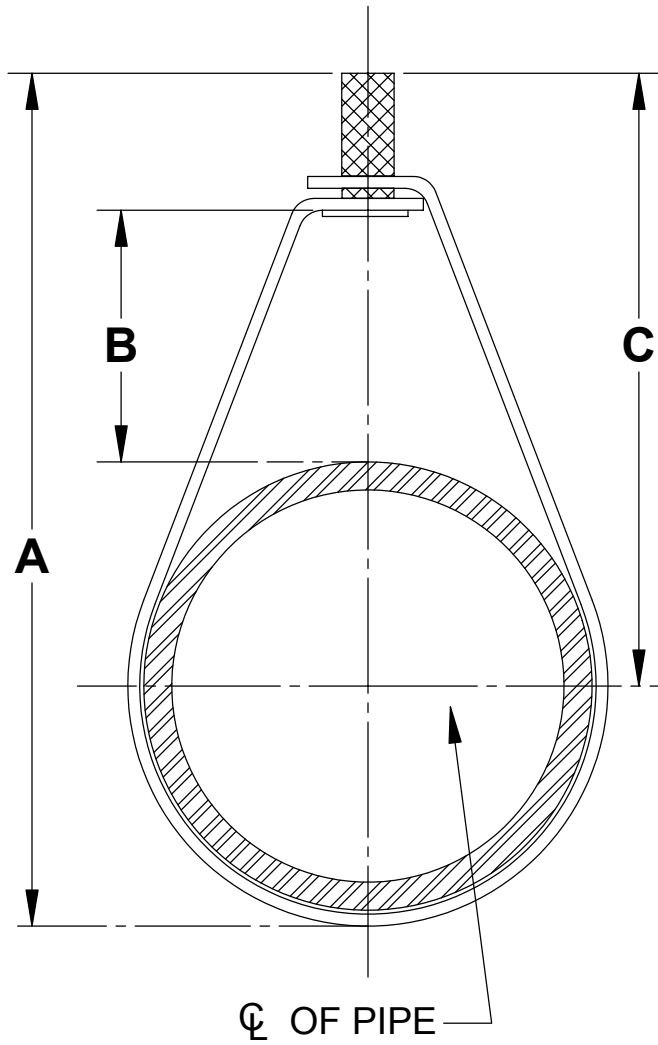


THE INFORMATION CONTAINED IN THIS DRAWING IS THE SOLE PROPERTY OF GREENFIELD MFG CO ANY REPRODUCTION IN PART OR WHOLE WITHOUT THE WRITTEN PERMISSION OF GREENFIELD MFG CO IS PROHIBITED.

**Made in USA**



PIPE SIZE	ROD SIZE	MATERIAL SIZE	DRAWING REF			WT. PER 100	MAX REC. LOAD
			A	B	C		
1/2"	3/8"	18ga x 5/8	3"	1 - 1/8"	1 - 1/2"	8	400
3/4"	3/8"	18ga x 5/8	3 - 1/8"	1 - 1/8"	1 - 3/4"	9	400
1"	3/8"	18ga x 5/8	3 - 3/8"	1 - 1/8"	1 - 7/8"	10	400
1 - 1/4"	3/8"	18ga x 5/8	3 - 3/4"	1 - 1/8"	2 - 1/8"	11	400
1 - 1/2"	3/8"	18ga x 5/8	4"	1 - 1/8"	2 - 1/4"	13	400
2"	3/8"	18ga x 5/8	4 - 5/8"	1 - 1/8"	2 - 1/2"	14	400
2 - 1/2"	3/8"	14ga x 3/4	5 - 1/2"	1 - 3/8"	3 - 1/8"	30	600
3"	3/8"	14ga x 3/4	6 - 3/8"	1 - 5/8"	3 - 5/8"	32	600
3 - 1/2"	3/8"	14ga x 3/4	7"	1 - 3/4"	4"	36	600
4"	3/8"	14ga x 3/4	7 - 1/2"	1 - 5/8"	4 - 1/8"	44	1000
5"	1/2"	13ga x 3/4	8 - 3/4"	1 - 7/8"	5"	56	1000
6"	1/2"	13ga x 3/4	10 - 3/8"	2 - 1/8"	6"	116	1250
8"	1/2"	12ga x 3/4	12 - 5/8"	2 - 3/8"	7 - 1/8"	150	1250

UNLESS OTHERWISE SPECIFIED DIMENSIONS ARE IN INCHES TOLERANCES ARE:  
 FRACTIONS DECIMALS ANGLES  
 + .XX+ .XX + 1  
 .XXX+.XXX

CAD GENERATED DRAWING, DO NOT MANUALLY UPDATE

APPROVALS	DATE
DRAWN EG	
CHECKED SB	

**GREENFIELD MFG CO**

920 LEVICK ST , PHILA.,PA. 19111

MATERIAL **STEEL**

FINISH **GALVANIZED**

DO NOT SCALE DRAWING

7/13

P/N	<b>FIG 300</b>	
A	<b>ADJ. SWIVEL IPS</b>	REV.
SCALE	CAD FILE: <b>FIG 300</b>	SHEET OF