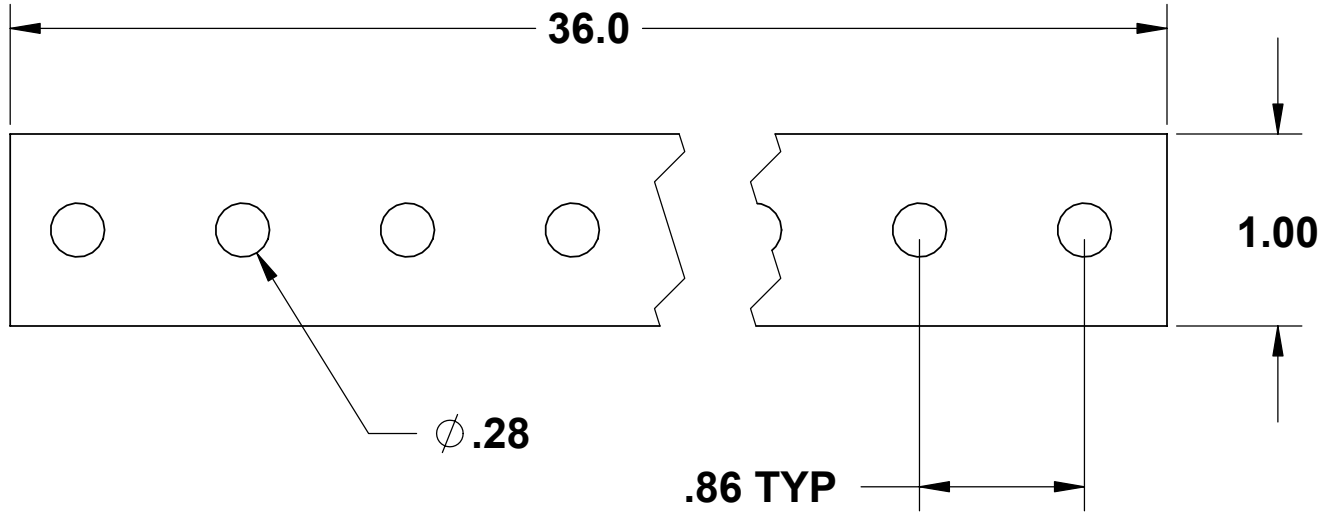


THE INFORMATION CONTAINED IN THIS DRAWING IS THE SOLE PROPERTY OF GREENFIELD MFG CO ANY REPRODUCTION IN PART OR WHOLE WITHOUT THE WRITTEN PERMISSION OF GREENFIELD MFG CO IS PROHIBITED.



Made in USA

UNLESS OTHERWISE SPECIFIED DIMENSIONS ARE IN INCHES		CAD GENERATED DRAWING, DO NOT MANUALLY UPDATE		GREENFIELD MFG CO	
TOLERANCES ARE:		APPROVALS	DATE	920 LEVICK ST , PHILA.,PA. 19111	
FRACTIONS	DECIMALS	EG	4/05	P/N DWV EXTENSION BAR	
+/- 1/8	.XX +/- .03	SB		A	FIG 221
	.XXX +/- .01			SCALE	REV.
MATERIAL				CAD FILE	FIG 221.SLDDRW
STEEL 16 GAGE GALVANIZED				SHEET OF	
DO NOT SCALE DRAWING					