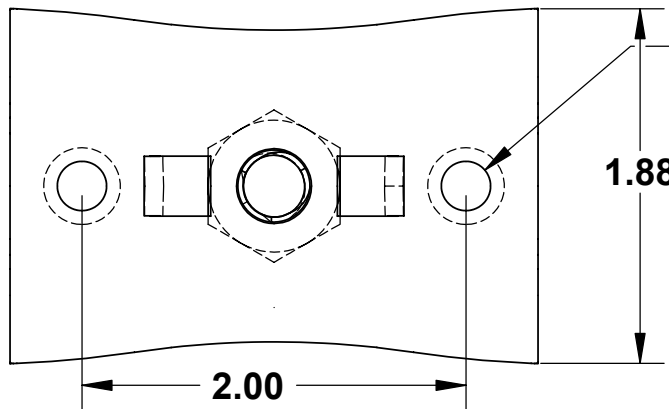
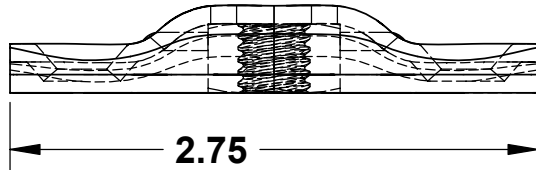


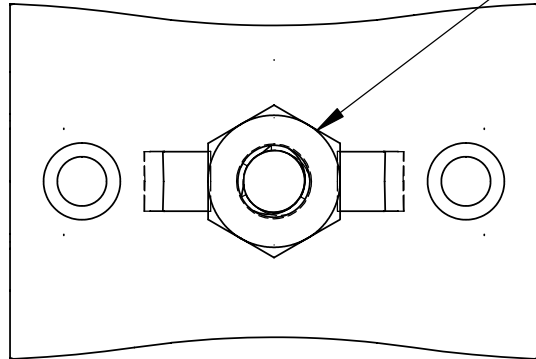
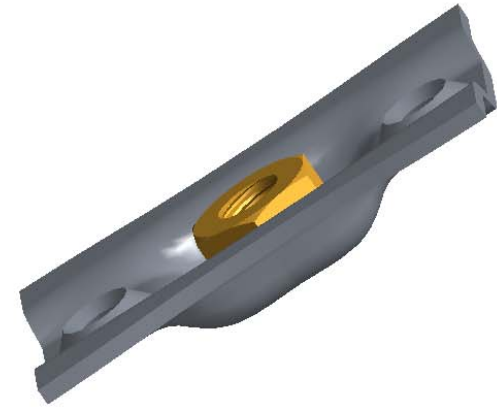
THE INFORMATION CONTAINED IN THIS DRAWING IS THE SOLE PROPERTY OF GREENFIELD MFG CO ANY REPRODUCTION IN PART OR WHOLE WITHOUT THE WRITTEN PERMISSION OF GREENFIELD MFG CO IS PROHIBITED.



ϕ .26
COUNTER SINK FOR
FLAT HEAD SCREW



HEAVY HEX NUT
ZINC PLATED
3/8 - 16 UNC
FULLY CAPTIVATED



made in USA

**SAFE WORKING LOAD
200 POUNDS LIMITED BY
FASTENERS ATTACHED
PROOF TESTED AT 2000 LBS
TEST REPORTS AT WWW.GFM.BIZ**

UNLESS OTHERWISE SPECIFIED
DIMENSIONS ARE IN INCHES
TOLERANCES ARE:
FRACTIONS DECIMALS ANGLES
+/- 1/8 .XX +/- .03 .XX + 1
 .XXX +/- .01

MATERIAL
13 GA. HR/CR STEEL

DO NOT SCALE DRAWING

CAD GENERATED DRAWING,
DO NOT MANUALLY UPDATE

APPROVALS		DATE
DRAWN	EG	2/13
CHECKED	SB	2/13

GREENFIELD MFG CO

920 LEVICK ST , PHILA.,PA. 19111

BOWTIE FLANGE PLATE

A P/N **FIG.208** REV.

SCALE CAD FILE: **FIG 208 BOWTIE** SHEET OF