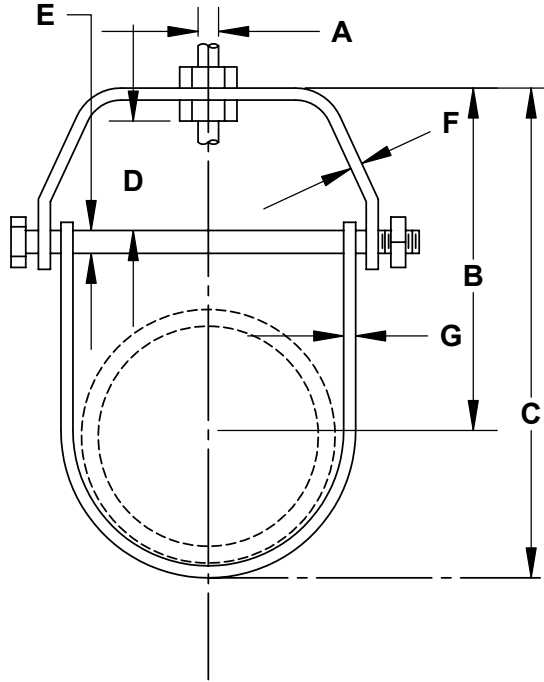


THE INFORMATION CONTAINED IN THIS DRAWING IS THE SOLE PROPERTY OF GREENFIELD MFG CO ANY REPRODUCTION IN PART OR WHOLE WITHOUT THE WRITTEN PERMISSION OF GREENFIELD MFG CO IS PROHIBITED.



| Size  | A    | B   | C   | D    | E     | F-Top<br>(MN THK)  | G-Bottom<br>(MN THK) | MAX REC<br>LOAD (LBS) |
|-------|------|-----|-----|------|-------|--------------------|----------------------|-----------------------|
| 1/2"  | 3/8" | 1.5 | 2.0 | 0.62 | 1/4"  | 18ga x .75 (.050)  | 18ga x .75 (.045)    | 150                   |
| 3/4"  | 3/8" | 1.8 | 2.3 | 0.62 | 1/4"  | 18ga x .75 (.050)  | 18ga x .75 (.045)    | 200                   |
| 1"    | 3/8" | 2.2 | 2.8 | 0.88 | 1/4"  | 16ga x 1.0 (.060)  | 18ga x 1.0 (.045)    | 200                   |
| 1.25" | 3/8" | 2.5 | 3.7 | 1.20 | 1/4"  | 16ga x 1.0 (.060)  | 16ga x 1.0 (.055)    | 200                   |
| 1.5"  | 3/8" | 2.8 | 4.0 | 1.20 | 1/4"  | 16ga x 1.0 (.060)  | 16ga x 1.0 (.055)    | 200                   |
| 2"    | 3/8" | 2.8 | 4.5 | 1.20 | 1/4"  | 14ga x 1.0 (.070)  | 16ga x 1.0 (.060)    | 250                   |
| 2.5"  | 3/8" | 3.8 | 6.0 | 2.00 | 1/4"  | 12ga x 1.0 (.100)  | 14ga x 1.0 (.067)    | 300                   |
| 3"    | 3/8" | 4.0 | 6.5 | 2.00 | 1/4"  | 12ga x 1.0 (.100)  | 14ga x 1.0 (.067)    | 300                   |
| 4"    | 3/8" | 4.7 | 7.0 | 2.00 | 5/16" | 11ga x 1.25 (.115) | 14ga x 1.25 (.070)   | 350                   |

COMPLIES WITH MSS SP-58 TYPE 1  
WW-H-171 -E TYPE 12

**made in USA**

|   |  |                            |                                  |               |
|---|--|----------------------------|----------------------------------|---------------|
| UNLESS OTHERWISE SPECIFIED<br>DIMENSIONS ARE IN INCHES<br>TOLERANCES ARE:<br>FRACTIONS DECIMALS ANGLES<br>+ .XX+ .XX + 1<br>.XXX+.XXX | CAD GENERATED DRAWING,<br>DO NOT MANUALLY UPDATE |                            | <b>GREENFIELD MFG CO</b>         |               |
|   | APPROVALS  | DATE                       | 920 LEVICK ST , PHILA.,PA. 19111 |               |
|   | DRAWN EG   | 7-26-12                    | <b>CLEVIS ~ LIGHT</b>            |               |
|   | CHECKED SB                                       | 7-26-12                    |                                  |               |
| MATERIAL <b>STEEL</b>   |  | A                          | <b>FIG. 104</b>                  | REV. <b>C</b> |
| FINISH <b>NONE</b>  |  | CAD FILE: <b>104 REV C</b> |                                  | SHEET OF      |
| DO NOT SCALE DRAWING  |  |                            |                                  |               |