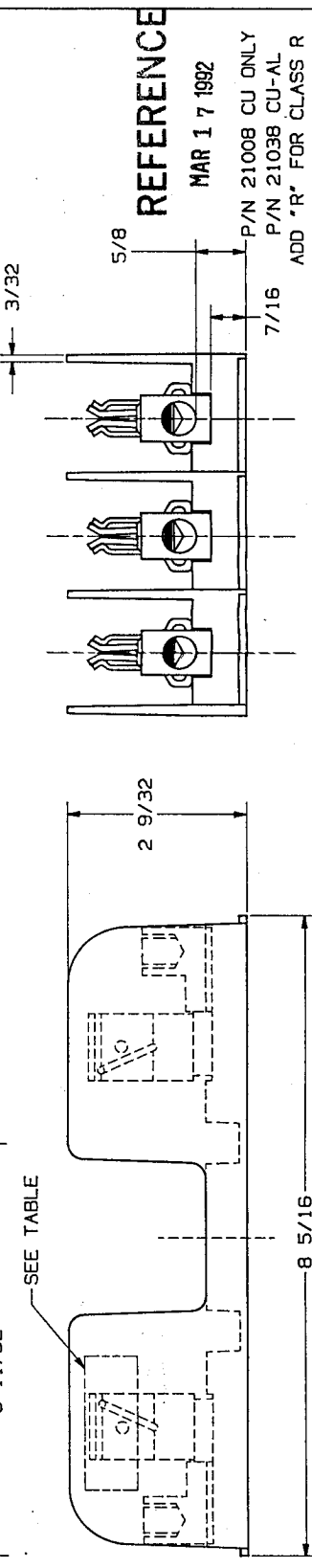
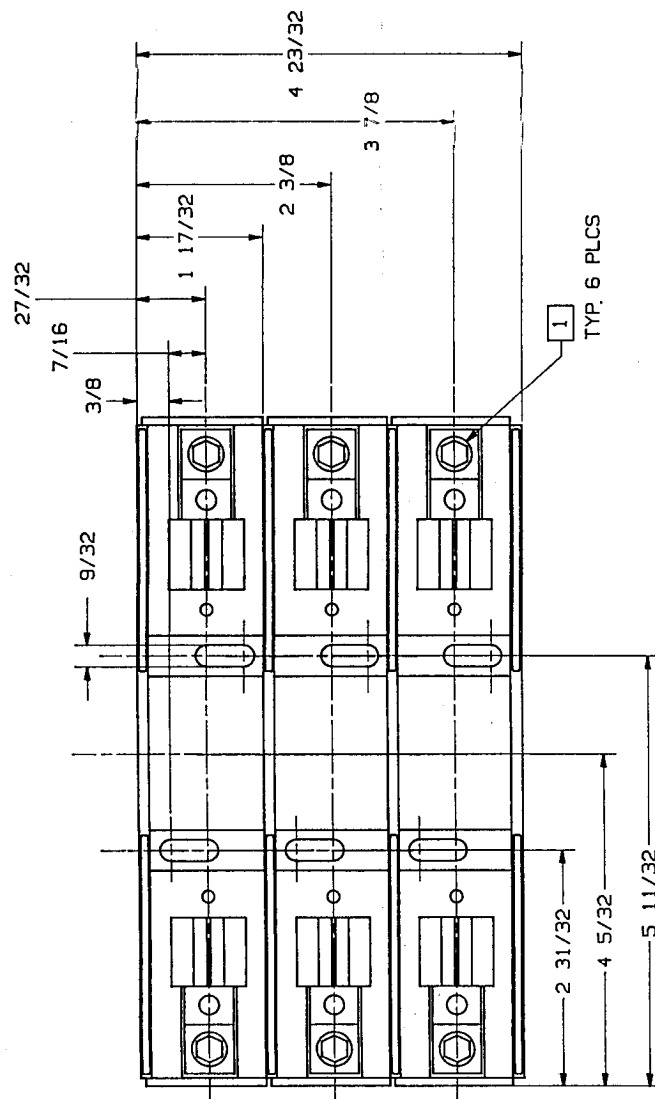


REV	DESCRIPTION	DATE	APPD
0	RELEASED	9/13/86	AVJ
01	REVISED PER ECO 90-007	5/7/92	AVJ

P/N	RMS SYM RATING	FUSE CLASS	TORQUE (IN-LBS)	°C WIRE
21008	10	H/K	50	60/75
21008R	200	R	50	60/75
21038	10	H/K	120	60/75
21038R	200	R	120	60/75



REFERENCE
MAR 1 7 1992

P/N 21008 CU ONLY
P/N 21038 CU-AL
ADD "R" FOR CLASS R

GOULD SHAWMUT
GOULD SHAWMUT
CORPORATION
P.O. BOX 100
MABLE FALLS, TX 78854

PROJECT
FUSE BLOCK, 250V-
100A 3 POLE BOX
CONNECTOR

DATE
5/7/92

DESIGNED BY
S. Williams

CHECKED BY
D. O'Neil

SCALE
1/1

FIG. NO.
05C0251

PAGE NO.
01

TOTAL PAGES
1 of 1

NOTES:
UNLESS OTHERWISE SPECIFIED
P/N 21008 (R) USES SLOTTED SET SCREW
P/N 21038 (R) USES HEX SET SCREW

- CSA REPORT NO. LR32169.
 - U/L FILE NO. E52283, GUIDE NO. IZLT.
 - MATL COMPOSITION AND RATING: POLYCARBONATE-125°C RTI.
 - P/N 21008(R) USES SLOTTED SET SCREW
P/N 21038(R) USES HEX SET SCREW.
- NOTES: UNLESS OTHERWISE SPECIFIED