

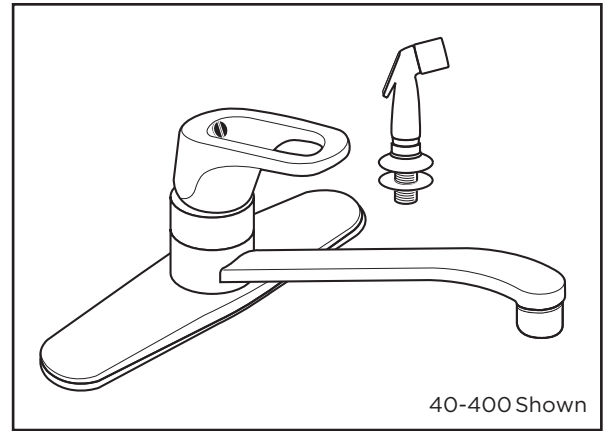


Single Handle Kitchen Faucet



Features:

- Ceramic disc cartridge with temperature limit stops
- Exposed parts have heavy chrome plated finish
- Working parts can be easily replaced
- 2.2 gpm (8.3 L/min) @ 60 psi maximum aerator
- Low lead waterway per NSF/ANSI 372 (previously known as CA AB 1953)
- Supplied with 1/4" nominal copper tubes and 1/2" I.P.S. compression adapters
- Brass escutcheon plate
- Loop style zinc metal chrome plated handle
- ADA compliant handle operates with less than 5 lbs. force
- Optional soap/lotion dispenser

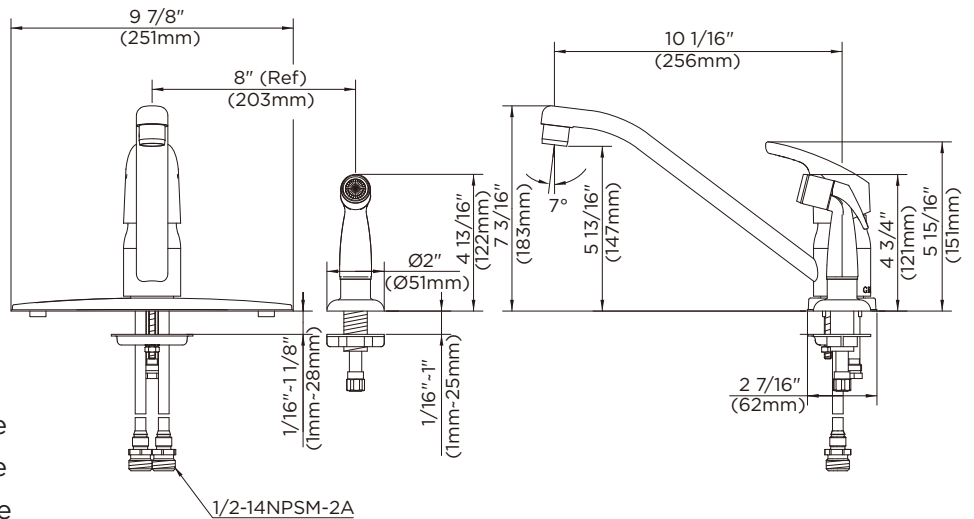


Standards & Certifications:

- NSF/ANSI 61-9
- ASME A112.18.1M
- NSF/ANSI 372
- IAPMO/cUPC
- ICC/ANSI A117.1
- MASS Code

Catalog Numbers:

- 40-100** Less Spray, Chrome
- 40-100-50** Less Spray, Chrome
- 40-400** With Spray, Chrome
- 40-400-50** With Spray, Chrome



Prefixes Available:

None

Suffixes Available

-50 1/2" soldered male adapters on copper

Job Name	
Date	
Model Specified	
Quantity	
Customer	
Contractor	
Architect/engineer	