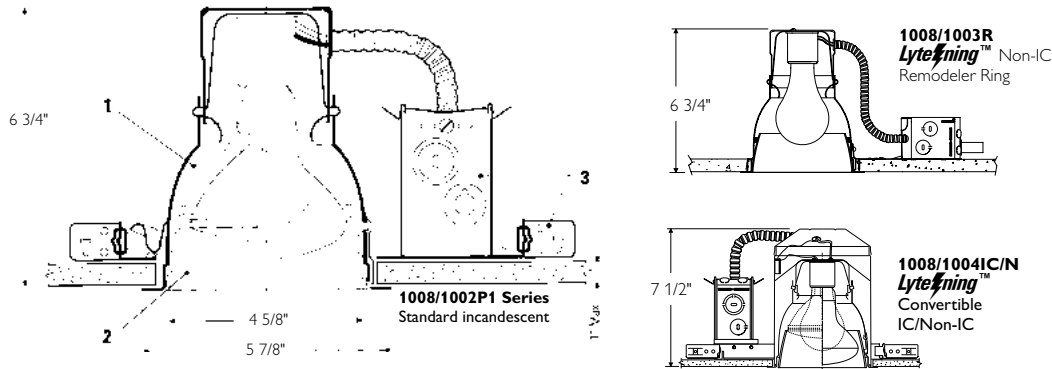


Lytecaster 5" aperture cone reflector trim

Catalog number:

Notes:

Type:



Complete fixture consists of reflector trim & frame-in kit. Select each separately.

Reflector trim	Frame-in kit — See individual frame-in kit specification sheets							
	LED				Incandescent			
	Frame-in kit	Installation type	Lamping	Height	Frame-in kit	Ceiling type	Lamping	Height
1008 †								
brushed gold								
1010 †								
Brushed clear								
1012 †	1001LED	Non-IC	LED	6 3/4"	1004SIC/N	IC	65W BR30	5 1/2"
Specular gold	1001LEDEM	Non-IC EM	LED	6 3/4"	1004SICR	IC remodeler	50W PAR30	5 1/2"
1013 †	1000LEDREM	Non-IC remodeler	LED	6 3/4"				
Specular clear	L56LED	Non-IC retrofit	LED	6 3/4"				
1013CD †	Incandescent				1004IC/N	Non-IC	75W PAR30	7 1/2"
Clear diffuse					1004ICR	Non-IC remodeler	85W BR30 60W A19	7 1/2"
1013Bk †	Frame-In Kit	Ceiling Type	Lamping	Height	1004SIC/N	Non-IC	75W PAR30	5 1/2"
Specular black					1004SICR	Non-IC remodeler	85W BR30	5 1/2"
1013WH	1000P1	Non-IC	75W A19, PAR30L 75W BR30	6 3/4"	1004ICX/N	IC	60W A19 75W PAR30 85W BR30	7 1/4"
Matte white								
	1002P1	Non-IC	75W A19, PAR30L 75W BR30	6 3/4"	1004IC/N	IC	40W A19 50W PAR30 65W BR30	7 1/2"
	1003R	Non-IC remodeler	75W A19, PAR30L 85W BR30	6 3/4"				

† = Add "NM" to sku for natural metal flange

Features

- Reflector:** Hydroformed aluminum, .040" thick, (18 ga.); Anobrite (anodic-processed) semi-specular finish for permanent reflectivity; matte white or natural metal trim flange.
- Cone:** Aluminum cone painted or anodized finish.
- Frame-in kit:** (1002P1 standard frame shown). Other frames listed above and shown on the right. See frame-in kit specification sheets for more details.

Options & accessories

Retaining clips: 1955 - For installing in existing ceiling

Extra wide flange trim ring: 1957 - 7" O.D

Spread lens: L56WWLENS - Proprietary spread lens for use with combination of wall washer optics and LED Frame-In Kits.

Labels

UL (suitable for damp locations), I.B.E.W.

Lytecaster 5" aperture cone reflector trim

Complete fixture consists of reflector trim & frame-in kit. Select each separately.

Reflector trim	Frame-in kit — See individual frame-in kit specification sheets			
	Fluorescent			
	Frame-in kit	Installation type	Lamping	Height
1008 † Brushed gold	1001F13U Series	Uniframe Non-IC	(1) Triple 13W (GX24q-1)	5 7/8"
1010 † Brushed clear	1001F18U Series	Uniframe Non-IC	(1) Triple 18W (GX24q-2)	5 7/8"
1012 † Specular gold	1004F13 Series	IC	(1) Quad/Triple 13W (GX24q-1)	7 1/2"
1013 † Specular clear	1004F18 Series	IC	(1) Triple 18W (GX24q-2)	7 1/2"
1013CD † Clear diffuse	1004F26 Series	IC	(1) Triple 26W (GX24q-3)	7 1/2"
1013BK † Specular black	1001F13ICU/N	Performance IC	(1) Triple 13W (GX24q-1)	7 1/4"
1013WH Matte white	1001F18ICU/N	Performance IC	(1) Triple 18W (GX24q-2)	7 1/4"
	1910XFH1	Conversion kit	(1) Quad 13W (GX23-2)	7 1/2"

† = Add "NM" to sku for natural metal flange



Philips Lightolier
 e: lol.webmaster@philips.com
 t: (508) 679-8131
 w: www.lightolier.com

1008 September 13, 2012

Specifications are subject to change without notice.
 © Koninklijke Philips Electronics N.V., 2012. All rights reserved.