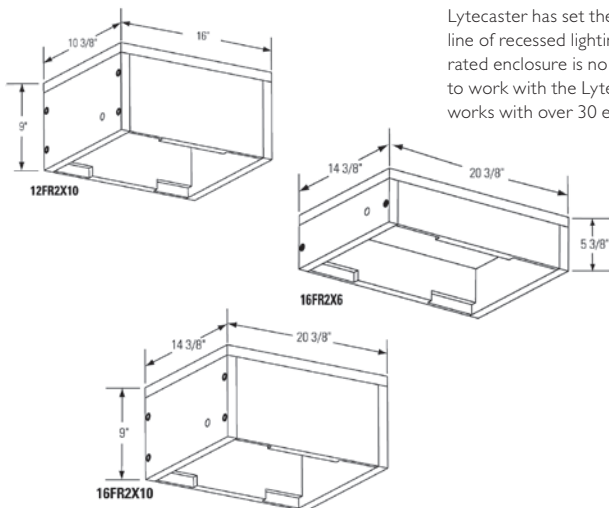


FireLine

Fire rated enclosure

The first line of defense in fire rated recessed lighting, Philips Lightolier presents the single most flexible and effective solution to increase the fire resistance of recessed downlighting applications. Designed with the distributor, contractor and inspector in mind, FireLine provides a UL® Classified enclosure that is easy to install, flexible and cost effective in maintaining the one-hour fire rating of L500 ceiling assemblies where recessed lighting is used. Designed in cooperation with Albi Manufacturing®, a 40 year leader in the fireproofing industry.

Unsurpassed flexibility



Lytecaster has set the trend with the most extensive line of recessed lighting in the industry. The FireLine fire rated enclosure is no exception. Specifically designed to work with the Lytecaster line of products, FireLine works with over 30 existing Frame-in Kits and all their compatible trims. This provides you with hundreds of downlighting options for you and your customers. Why stock additional Frame-in kit SKUs or sacrifice style and quality when you can use the recessed downlight line you have come to know and trust... Lytecaster.



Unique design

Constructed of Albi DriClad®, this industry accepted material provides a one-hour UL® classification for L500 series floor / ceiling assemblies. The enclosure helps to prevent the spread of heat and flames into the ceiling space, providing additional time for residents to evacuate. Unlike other material used in fire resistant products, FireLine is designed for exposure to extreme temperatures and will provide consistent and long-term protection when exposed to the heat given off by lighting products. Available in three sizes, FireLine is designed to fit the most popular types of residential construction and is ideal for single and multi-family dwellings, hospitality and assisted living environments.



Installation

This lightweight material weighs a fraction of what other fire resistant products weigh. Simply lift FireLine into the joist space and use the mounting hardware provided to install. Once in the ceiling, the Frame-in-Kit can be installed without any additional hardware or modifications.

Designed specifically to fit in most standard types of construction, FireLine provides more flexibility than any other fire rated product by offering a 16" on center (**16FR2X10**) and 12" on center (**12FR2X10**) 2x10 construction.

Restricted or obstructed ceiling space... FireLine is also available in a shallow 16" on center (**16FR2X16**) version for installation in plenums as shallow as 2x6 construction or where obstructions may cause height restrictions.



Code



Philips Lightolier FireLine, colored the familiar Philips Lightolier red, serves as an easy-to-recognize indicator for inspectors that you have installed a UL® classified product that provides a one-hour fire rating and the knowledge that it is the quality product they have come to know with Philips Lightolier. Additional information can be obtained from the UL label included on the box or from the UL website under this UL Certification Fire Resistive Assemblies and Systems page.

Value

FireLine saves time and money by eliminating the need to construct a separate fire rated enclosure.

- Eliminates the need for additional contractors to build an enclosure
- Eliminates scheduling issues trying to coordinate contractors to build and install.
- Eliminates the need for inspectors to inspect each individual box for compliance.

Winner of EC&M Magazine 2004 Product of the Year Competition. FireLine was a winner in 2004 for their introduction in the "Boxes & Enclosure" category of the competition. FireLine was chosen from a record number of entries.



We take pride in our relationship with the Underwriter Laboratories. FireLine was developed based on the Classifications listed in the Fire Resistive Assemblies and Systems portion of the UL Directory pertaining to the test method and acceptance criteria in ANSI/UL 263 (ASTM E119 and NFPA 251), "Fire Tests of Building Construction and Materials."



Our UL listing (UL File R21187) not only ensures a quality product for our customers but also provides inspectors with the security and convenience they need.

FireLine

Fire rated enclosure

Product compatibility

The following grid outlines the Lytecaster products compatible for use with the FireLine Fire Rated Enclosure.

FireLine cat. no.	Use with frame-in kit	Use with reflector trim	Lamping options	
12FR2X10	Line voltage			
	1004IC* 1104IC*	Compatible with all trims rated for these frame-in kits	Compatible with all IC lamping options for the associated trims	
	2000IC 2000AIC	Compatible with all trims rated for these frame-in kits	Compatible with all IC lamping options for the associated trims	
	LED			
	1050LRN LED Series 1050LSQ LED Series 1050RN Series 1050SQ Series			
16FR2X10	Line voltage			
	1004IC 1104IC	Compatible with all trims rated for these frame-in kits	Compatible with all IC lamping options for the associated trims	
	2000IC 2000AIC 1000IC 1000AICM 1004ICX	1100IC 1100AICM 1104ICX 1100P1	Compatible with all trims rated for these frame-in kits	Compatible with all lamping options for the associated trims
	Fluorescent			
	1004F Series 1104F Series 1102T13U 1102T18U 1102T26U	2001F IC Series 1001F IC Series 1101F IC Series	Compatible with all trims rated for these frame-in kits	Compatible with all lamping options for the associated trims
	Low voltage			
	2000LVNT 2000AICV	1000ICV	Compatible with all trims rated for these frame-in kits	Compatible with all lamping options for the associated trims
	LED			
		1050LRN LED Series 1050LSQ LED Series 1050RN Series 1050SQ Series		
	16FR2X6	Fluorescent		
1102T1 1102TH1 1102TH1		1102T13U 1102T18U	Compatible with all trims rated for these frame-in kits	Compatible with all lamping options for the associated trims
LED				
	1050LRN LED Series 1050LSQ LED Series 1050RN Series 1050SQ Series			

* Mounting bars need to be modified for proper fit.