

ROCKSLIDE PRESET INCANDESCENT DIMMER

LIGHTOLIER®
CONTROLS

DESIGNER-STYLE, PRESET SLIDE DIMMER
LOW-WATTAGE: 600W-1000W

Project: _____

Location/Type: _____

Description

Dimmer:

The Rockslide Preset Incandescent Dimmer is a designer-style, preset slide dimmer, developed for low-wattage use. The unit is equipped with an off-status LED and provides both three-way and multi-location on/off control when used with Rockslide Preset Remotes.

Remote:

The Rockslide Preset Remote is a designer-style, multi-location remote device that uses existing three-way wiring to control the on/off capabilities of any Rockslide Preset Dimmer.

Features

Dimmer:

- Streamlined appearance and operations
- A red LED light—to help locate the push button when the unit is turned off
- Small slide dimmer that is conveniently located
- Large, easy-to-use rocker switch for on/off control
- Three-way and multi-location or master control when used with Rockslide Preset Remotes

Remote:

- Streamlined appearance and operations
- Turns Rockslide Preset Dimmers on, to a preset level, and off
- Unlimited remotes can be used for multi-location control

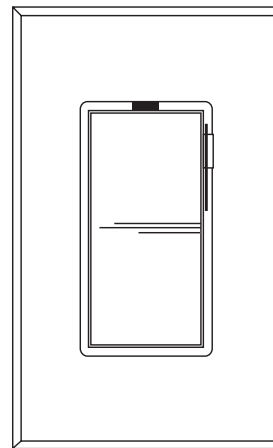
Operation

Dimmer:

- Turn the lights on:
 - Press the top of the rocker switch.
 - Slide the dimmer control lever to the desired lighting level.
- Turn the lights off:
 - Press the bottom of the rocker switch.
 - The red LED indicator will turn on, indicating that the unit is in the off position.

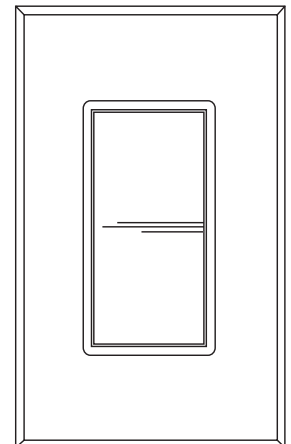
Remote:

- Turn the lights on to a preset level:
 - Tap the top of the rocker switch once.
- Turn the lights off:
 - Tap the bottom of the rocker switch once.



RS600 / RS1000

Compli faceplate sold separately.
Custom engraved faceplates available.



RS3R-3

Compli faceplate sold separately.
Custom engraved faceplates available.

Description	Model Number	Color Suffix	Load (W)	
			Min	Max
Rockslide Preset Slide Dimmer	RS600	W I	60	600
	RS1000	W I	60	1000
Rockslide Preset Remote	RS3R-3	W I	N/A	N/A

W=White, I=Ivory

ROCKSLIDE PRESET INCANDESCENT DIMMER

Product Specifications

Specifications

The Rockslide Preset Incandescent Dimmer is UL Listed to U.S. and Canadian safety standards for 120VAC, 60Hz, 600W/1000W operations to control incandescent lighting loads. Device operations include:

- Manual intensity control
- Soft Start on to a preset level
- Off control

The unit is equipped with a red LED indicator which glows red in the off position for easy location in the dark. Each device has the ability to accept on/off commands from an unlimited number of multi-location remotes.

The unit's toroidal filters are used to suppress RFI and EMI. Its air gap switch is used to open the circuit completely. However, the switch is unobtrusive and is not required for normal operations.

This device mounts in a single-gang wall box and can be combined with a designer-style faceplate, as well as Compli Screwless Faceplates.

All Lightolier Controls 600W strap dimmers may be installed into multi-gang configurations, and operated at full load without de-rating.

Remote:

Each Rockslide Preset Remote provides three-way, multi-location, on/off control to one Rockslide Preset Slide Dimmer.

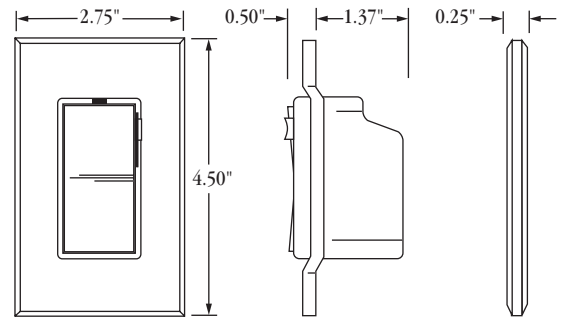
Each unit wires with only two wires. The device mounts in a single-gang wall box and can be combined with a designer-style faceplate, as well as Compli® Screwless Faceplates.

1000W De-Rating Chart	
# Sides Removed	Maximum Load
1	800W
2	600W

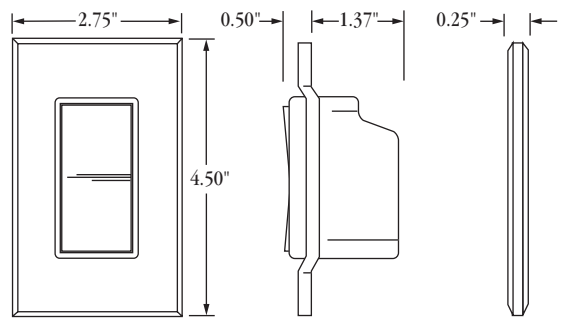
When ganging the 1000W dimmer with other devices, de-rating is required.

All Lightolier Controls 600VA dimmers may be installed into multi-gang configurations and operated at full load without de-rating.

Dimensions



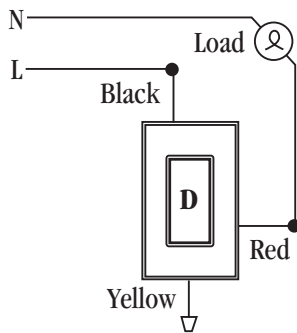
RS600 / RS1000



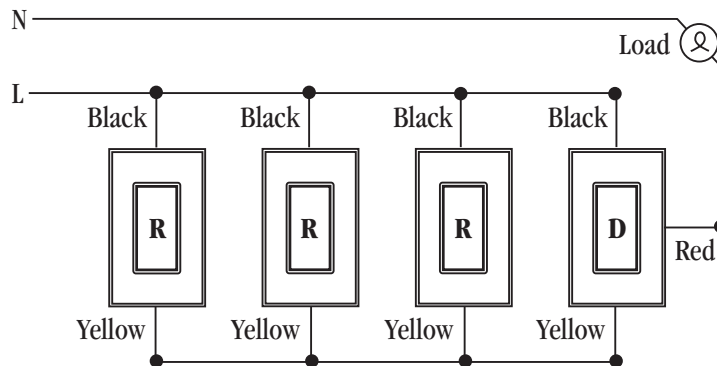
RS3R-3

Wiring Diagrams

Single Pole



3-Way / Multi-Location



Locate Dimmer on load side

Key: D=Dimmer, R=Remote



This product may be covered by one or more of the following U.S. Patents: #4,413,211; 4,430,576; 4,465,956; 4,733,138; 4,792,731; 4,880,950; 4,988,840; 4,992,709; 5,004,969; 5,128,654; 5,153,816; 5,189,259; 5,194,858; 5,239,255; 5,371,439; 5,371,444; 5,636,111; 5,642,104; 5,646,490; Des. 307,578; Des. 333,124; License 4,482,844 and corresponding foreign patents. Other Utility, Design and Foreign Patents Pending.

We reserve the right to change details of design, materials and finish in any way that will not alter the installed appearance or reduce function performance.

Lightolier® Controls

A Genlyte Company

10911 Petal Street • Dallas, Texas 75238

For technical/sales assistance, call: 1-800-526-2731

Made in U.S.A. ©Lightolier® Controls 2005

www.lolcontrols.com P/N 87-0116A