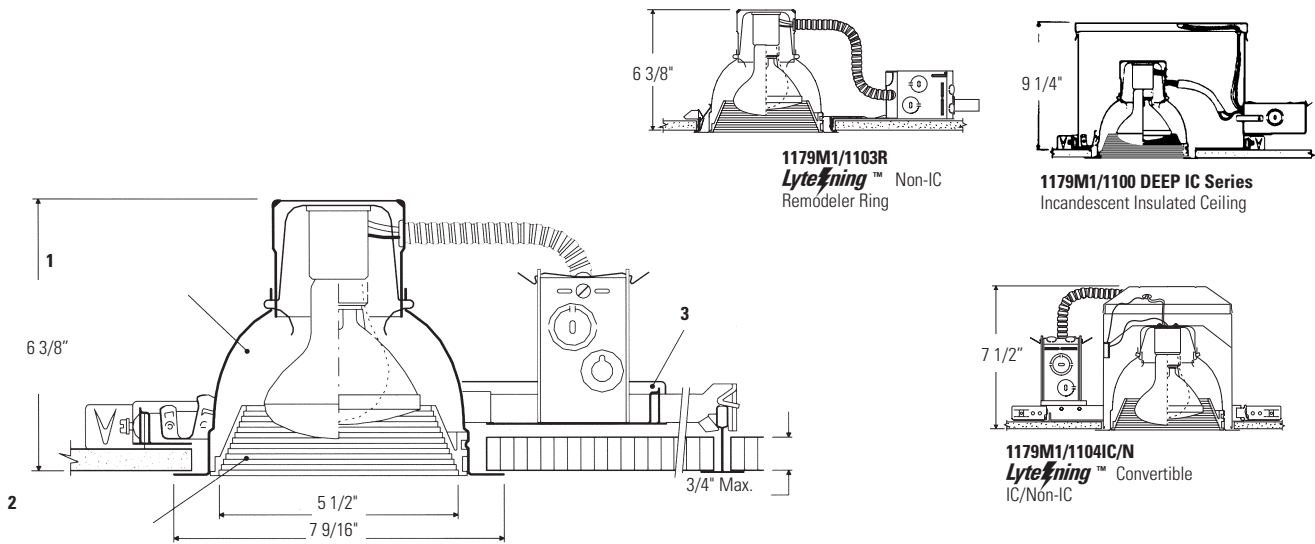




Lytecaster® Recessed Downlighting **1179M1**



Reflector Trim	Frame-In Kit — See Individual Frame-In Kit Specification Sheets							
	LED				Fluorescent			
	Frame-In Kit	Installation Type	Lamping	Height	Frame-In Kit	Installation Type	Lamping	Height
1179M1 Matte Black Baffle 1179WH Perma White Baffle	L56LED	Non-IC Retrofit	LED	6 3/8"	1104F13 Series	IC	(1) Quad/Triple 13W (GX24q-1)	7 1/2"
	Incandescent				1104F18+ Series	IC	(1) Quad/Triple 18W (GX24q-2)	7 1/2"
	1102P1	Non-IC	75W A19, PAR30*	6 3/8"	1100FTU Series	Non-IC	(1) Triple 26/32W (GX24q-3)	6 7/8"
	1103R	Non-IC Remodeler	85W BR30	6 3/8"	1100AICMFT	AirSeal®-IC	(1) Triple 26/32W (GX24q-3)	6 7/8"
	1100IC	IC	75W PAR30	7 5/16"	1910XDH1	Conversion Kit	(2) Quad 13W (GX23-2)	6 7/8"
	1100AICM	AirSeal® IC	85W BR30	7 5/16"				
	1104ICX/N	AirSeal® IC		7 1/4"	1910XFH1	Conversion Kit	(1) Quad 13W (GX23-2)	6 7/8"
	1104IC/N**	AirSeal® IC	90W PAR38**	7 1/2"				
	1104ICR**	IC Remodeler	75W PAR30	7 1/2"				
	1104ICR**	IC Remodeler	85W BR30	7 1/2"				
1104IC/N**	Non-IC	75W PAR30*	7 1/2"					
1104ICR**	Non-IC Remodeler	85W BR30	7 1/2"					
1100DAICM	Deep AirSeal® IC	75W PAR30*	9 1/4"					
1100DICM	Deep IC	85W BR30	9 1/4"					

* Use socket extender 1968 for short neck PAR30 lamp.
** PAR38 use only with Frame-In Kits indicated

† Lightolier recommends the use of triple tube lamps.

Features

- Reflector:** Hydroformed aluminum, .040" thick (18 ga.); non-yellowing, scruff-resistant Perma White finish with 88% reflectance; white trim flange.
- Step Baffle:** Molded high temperature phenolic. Stepped conical surface for low brightness; matte black or gloss white finish.
- Frame-In Kit:** (1102P1 standard frame shown). Other frames listed above and shown on the right. See Frame-In Kit specification sheets for more details.

Options & Accessories

Par30 Socket Extender: 1968 - for short neck Par30 lamp

Spread Lens: L56WWLENS - Proprietary spread lens for use with combination of wall washer optics and LED Frame-In Kits.

Labels

UL (Suitable for Damp Locations), I.B.E.W.

Job Information

Type:

Job Name:

Cat. No.:

Lamp(s):

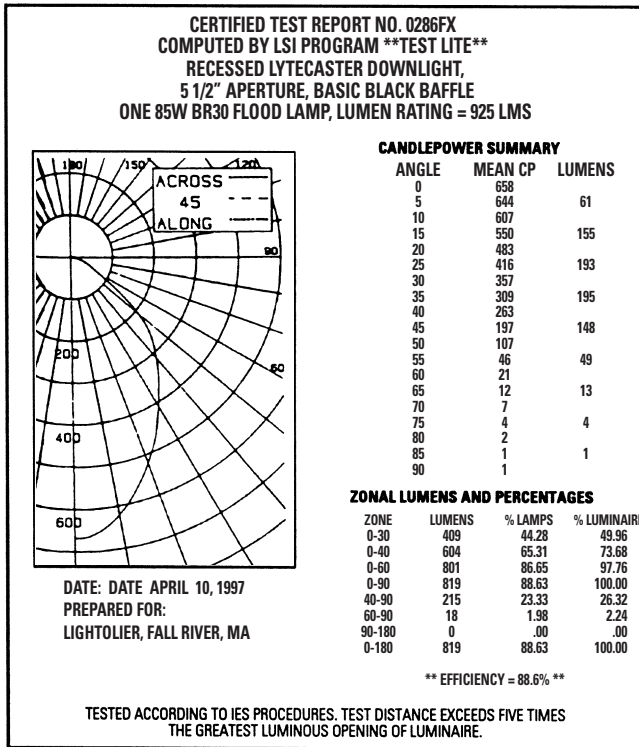
Notes:

Lightolier a Genlyte company www.lightolier.com
 631 Airport Road, Fall River, MA 02720 • (508) 679-8131 • Fax (508) 674-4710
 We reserve the right to change details of design, materials and finish.
 © 2011 Genlyte Group LLC • H0711

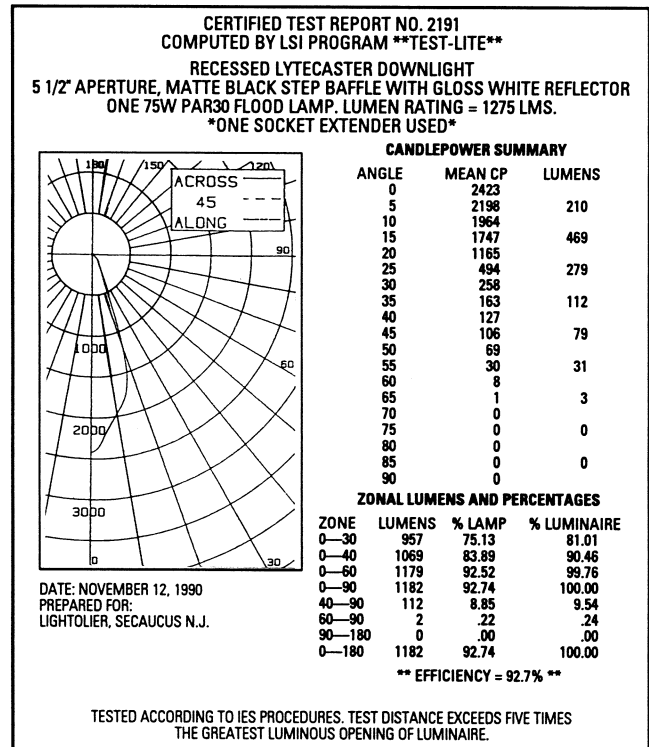
LIGHTOLIER®



SPACING RATIO = 0.9



SPACING RATIO = 1.2



COEFFICIENTS OF UTILIZATION

% EFFECTIVE CEILING CAVITY REFLECTANCE

ROOM CAVITY RATIO	% WALL REFLECTANCE															
	80			70			50			30			10			
	50	30	10	50	30	10	50	30	10	50	30	10	50	30	10	
1	.98	.98	.94	.96	.94	.92	.92	.91	.89	.89	.88	.87	.86	.85	.84	.82
2	.91	.87	.84	.89	.86	.83	.86	.84	.81	.84	.82	.80	.81	.80	.78	.76
3	.84	.79	.76	.83	.79	.75	.81	.77	.74	.78	.76	.73	.76	.74	.72	.70
4	.78	.73	.69	.77	.73	.69	.75	.71	.68	.73	.70	.67	.72	.69	.66	.65
5	.73	.67	.63	.72	.66	.63	.70	.66	.62	.68	.65	.62	.67	.64	.61	.60
6	.67	.62	.58	.67	.61	.57	.65	.61	.57	.64	.60	.57	.63	.59	.56	.55
7	.62	.56	.53	.62	.56	.52	.60	.55	.52	.59	.55	.52	.58	.54	.51	.50
8	.58	.52	.48	.57	.52	.48	.56	.51	.48	.55	.51	.47	.54	.50	.47	.46
9	.53	.48	.44	.53	.47	.44	.52	.47	.43	.51	.46	.43	.50	.46	.43	.42
10	.49	.44	.40	.49	.44	.40	.48	.43	.40	.47	.43	.39	.47	.42	.39	.38

20% FLOOR CAVITY REFLECTANCE

Conversion Factor: 85W BR30 FL, White, C.U. x 1.1. 2 Lt. 13W Quad Tube: Black, C.U. x 0.25; White, C.U. x 0.35. 1 Lt. 13W Quad Tube: Black, C.U. x 0.3; White, C.U. x 0.4. 75W A19: Black, C.U. x 0.35; White, C.U. x 0.50.

COEFFICIENTS OF UTILIZATION

% EFFECTIVE CEILING CAVITY REFLECTANCE

ROOM CAVITY RATIO	% WALL REFLECTANCE															
	80			70			50			30			10			0
	50	30	10	50	30	10	50	30	10	50	30	10	50	30	10	0
1	1.05	1.03	1.01	1.01	.99	.99	.98	.97	.95	.95	.94	.92	.92	.92	.91	.89
2	.99	.97	.94	.98	.95	.93	.95	.93	.91	.92	.91	.89	.90	.89	.87	.86
3	.95	.91	.89	.94	.91	.88	.92	.89	.87	.89	.87	.85	.87	.86	.84	.83
4	.91	.87	.84	.90	.87	.84	.88	.85	.83	.86	.84	.82	.85	.83	.81	.80
5	.87	.83	.80	.86	.82	.80	.85	.81	.79	.83	.80	.78	.82	.80	.78	.77
6	.84	.79	.77	.83	.79	.76	.82	.78	.76	.81	.78	.75	.79	.77	.75	.74
7	.80	.76	.73	.80	.76	.73	.78	.75	.73	.77	.74	.72	.77	.74	.72	.71
8	.77	.73	.70	.76	.73	.70	.76	.72	.70	.75	.72	.69	.74	.71	.69	.68
9	.74	.70	.67	.74	.70	.67	.73	.69	.67	.72	.69	.66	.71	.68	.66	.65
10	.71	.67	.64	.71	.67	.64	.70	.67	.64	.70	.66	.64	.69	.66	.64	.63

20% FLOOR CAVITY REFLECTANCE

Conversion Factor: 75W PAR30 FL, White, C.U. x 1.05.

To convert lighting data for a lower wattage incandescent lamp of the same type, multiply the footcandle (or candlepower) values by the ratio of the lumens of the two lamps. The coefficients of utilization remain the same.

Job Information **Type:**

Lightolier a Genlyte company www.lightolier.com
 631 Airport Road, Fall River, MA 02720 • (508) 679-8131 • Fax (508) 674-4710
 We reserve the right to change details of design, materials and finish.
 © 2011 Genlyte Group LLC • H0711