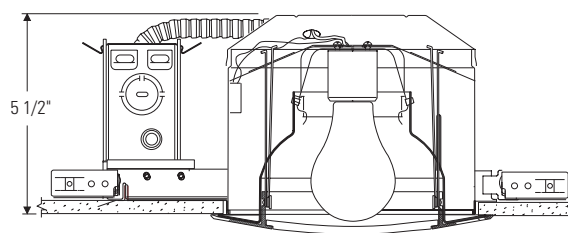
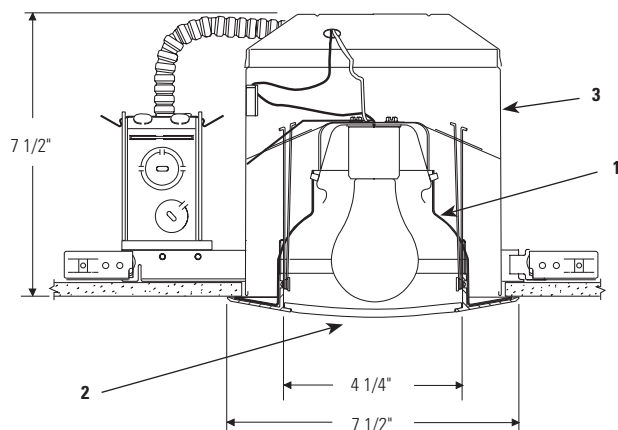


Lytecaster® Recessed Downlighting **1177LX**



1177LX/1104SIC/N
Lyte[®]ning™ Shallow
Convertible IC/Non-IC

1177LX/1104IC/N (Shown)
1177LX/1004IC/N
Lyte[®]ning™ Convertible
Incandescent IC/Non-IC

5" and 6 3/4" Aperture: Complete Fixture consists of Reflector Trim & Frame-In Kit. Select each separately.

Reflector Trim	Frame-In Kit — See Individual Frame-In Kit Specification Sheets							
	Incandescent				Fluorescent			
	Frame-In Kit	Installation Type	Lamping	Height	Frame-In Kit	Ceiling Type	Lamping	Height
1177LX	1004IC/N	5" AirSeal® IC	40W A19	7 1/2"	1004F13 Series	5" IC	(1) Triple 13W (GX24q-1)	7 1/2"
	1004ICR	5" IC		7 1/2"		1004F18 Series	5" IC	(1) Triple 18W (GX24q-2)
	1004IC/N	5" Non-IC	60W A19	7 1/2"	1104F13 Series		6 3/4" IC	(1) Triple 13W (GX24q-1)
	1004ICR	5" Non-IC Remodeler		7 1/2"		1104F18 Series	6 3/4" IC	(1) Triple 18W (GX24q-2)
	1104IC/N	6 3/4" AirSeal® IC	40W A19	7 1/2"				
	1104ICR	6 3/4" IC Remodeler		7 1/2"				
	1104IC/N	6 3/4" Non-IC	75W A19	7 1/2"				
	1104ICR	6 3/4" IC Remodeler		7 1/2"				
	1104SIC/N	6 3/4" Shallow IC	40W A19	5 1/2"				
	1104SICR	6 3/4" Shallow IC Remodeler		5 1/2"				
	1104SIC/N	6 3/4" Shallow Non-IC	75W A19	5 1/2"				
	1104SICR	6 3/4" Shallow Non-IC Remodeler		5 1/2"				

Features

- Reflector:** Hydroformed aluminum, 0.040" thick (18 ga.); Anobrite® (anodic-processed) semi-specular finish for permanent reflectivity; plastic white trim flange.
- Flush Lens:** Clear glass with white plastic flange. Pull down and lock position for relamping; no tools required.
- Frame-In Kit:** Use only with Frame-In Kits shown above. See Frame-In Kit specification sheets for more details.

Labels

UL (Suitable for Wet Locations), I.B.E.W.

Meets NEC® requirements for Spas and Hot Tubs.

NEC® is a registered trademark of the National Fire Protection Association.

Job Information	Type:
Job Name:	
Cat. No.:	
Lamp(s):	
Notes:	