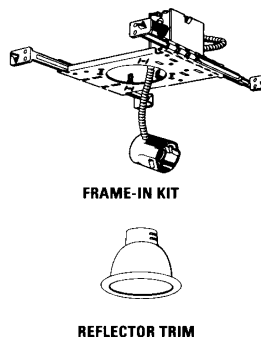
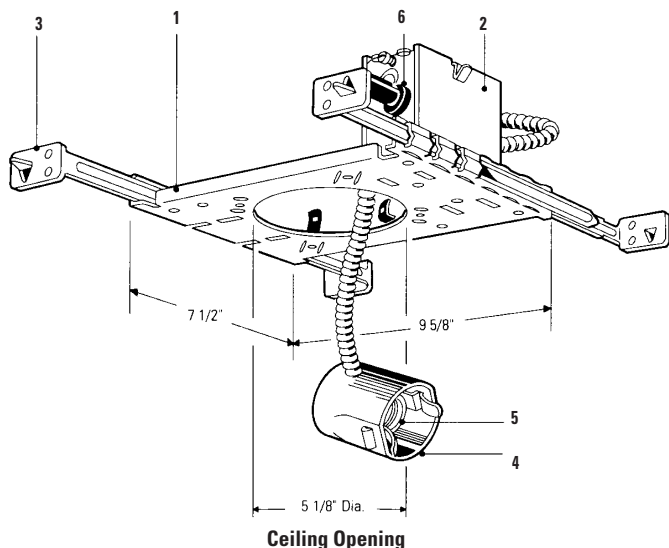


Lytecaster Recessed Downlighting **1002P1**



Complete Fixture consists of Reflector Trim & Frame-In Kit. Select each separately.

Frame-In Kit	Reflector Trims — See Individual Reflector Trim Specification Sheets										
	Open Downlight						Recessed		Enclosed Diffusers	Wall Washer	Open Wet Location
Reflector	Cone	Satin Cone	Baffles	Basic White	Pinhole	Adjustable	Eyeball				
1002P1	1045	1012	1008	1005	1071	1011	1027	1082	1024	1035	1084CD
	1046	1012NM	1008NM	1005WH			1027BK	1022	1078	1035WH	1084WH
	1046CD	1013	1010	1005NM			1027WH	1022WH	1090	1085	
		1013NM	1010NM	1005BNM			1027CD		1021	1095	
		1013BK		1076			1027NM			1096	
		1013BKNM		1076WH			1027BNM			1096CD	
		1013CD					1027BKNM				
		1013CDNM					1027CDNM				
							1038				
							1038NM				
						1048					
						1048NM					

Features

- Mounting Frame:** .036" (#20 ga.) galvanized steel. Accommodates all ceilings up to 1" thick. Four slots are positioned 90° apart to simplify alignment. Push-in/twist-out rotoclips hold reflector flush to ceiling.
- Junction Box:** 4" x 3 1/2" x 2"; .063" (#14 ga.) galvanized steel. U.L. listed for maximum of 8 No. 12 ga. 75° C through branch circuit conductors (60° C end of run). Integral cable clamps permit attachment of nonmetallic Romex® or armored cable without need of additional connectors.
- Mounting Bars:** .059" (#16 ga.) galvanized steel. 13" long bars extend to 27" with integral nailing tabs. Attaches to wood joist without need of accessories.
- Socket Housing:** Impact extruded aluminum or galvanized steel.
- Socket:** Porcelain medium base; nickel plated screw shell. Pre-wired with #18 ga. SF1 leads to junction box.
- Thermal Protector:** Meets NEC and UL requirements. Insulation must be kept 3" away from fixture sides and wiring compartments and must not be placed above fixture in a manner which will entrap heat.

Options & Accessories

- Mounting Bars:** 1964 - 20" set of (2)
- T-Bar Anchor Clips:** 1956 - set of (4)
- Plaster Ceiling Ring:** 1960 - 7/8" depth for wet plaster ceilings.
- Extra-Thick Ceiling Mounting Ring:** 1967B - up to 2" thick ceilings.

Options & Accessories (continued)

- 277V Remote Step-Down Transformer:** 7997 - 277V down to 120V 300W max. load.
- Remodeler Anchor Clip:** 1985N
- Conversion Kit:** 1910CKU - Reference conversion kit specification sheet for trim and lamp options.

Labels

UL (Suitable for Damp Locations), I.B.E.W.;

Romex® is a registered trademark of General Cable Industries Inc.

Job Information	Type:
Job Name:	
Cat. No.:	
Lamp(s):	
Notes:	