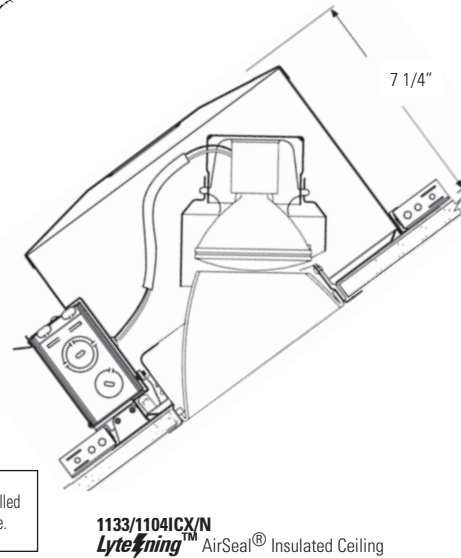


1100IC Mounting Frame must be installed with the J-Box on the "UPHILL" side.

1104ICX/N Mounting Frame must be installed with the J-Box on the "DOWNHILL" side.



Complete Fixture consists of Reflector Trim & Frame-In Kit. Select each separately.

Reflector Trim		Frame-In Kit — See Individual Frame-In Kit Specification Sheets			
		Frame-In Kit	Installation Type	Lamping	Height
<b>1133</b>	Black Step Baffle	<b>1100IC</b>	IC	75W PAR30 (Short Neck)	7 5/16"
<b>1133WH</b>	Gloss White Step Baffle	<b>1100AICM</b>	AirSeal® IC		7 5/16"
<b>1133GD</b>	Specular Gold	<b>1104ICX/N</b>	AirSeal® IC		7 1/4"
<b>1133CL</b>	Specular Clear				
<b>1133BK</b>	Specular Black				

### Features

- Housing:** Hydroformed aluminum, .040" thick; white trim flange.
- Aperture:** Conical aluminum step baffle, matte black or gloss white finish; or hydroformed aluminum cone, specular finish. For ceiling slopes 30° - 45° angle, 7/12 - 12/12 pitch. Baffle or cone must be removed for lamping.
- Lamp Housing:** Hydroformed aluminum, .040" thick; permits adjustment ±7° vertical for straight downlighting.
- Frame-In Kit:** See Frame-In Kit specification sheets for more details.

### Options & Accessories

**Extra Wide Flange Trim Ring:** 1954 - 8 5/8" O.D.

### Labels

UL (Suitable for Damp Locations), I.B.E.W.

Job Information	Type:
<b>Job Name:</b>	
<b>Cat. No.:</b>	
<b>Lamp(s):</b>	
<b>Notes:</b>	



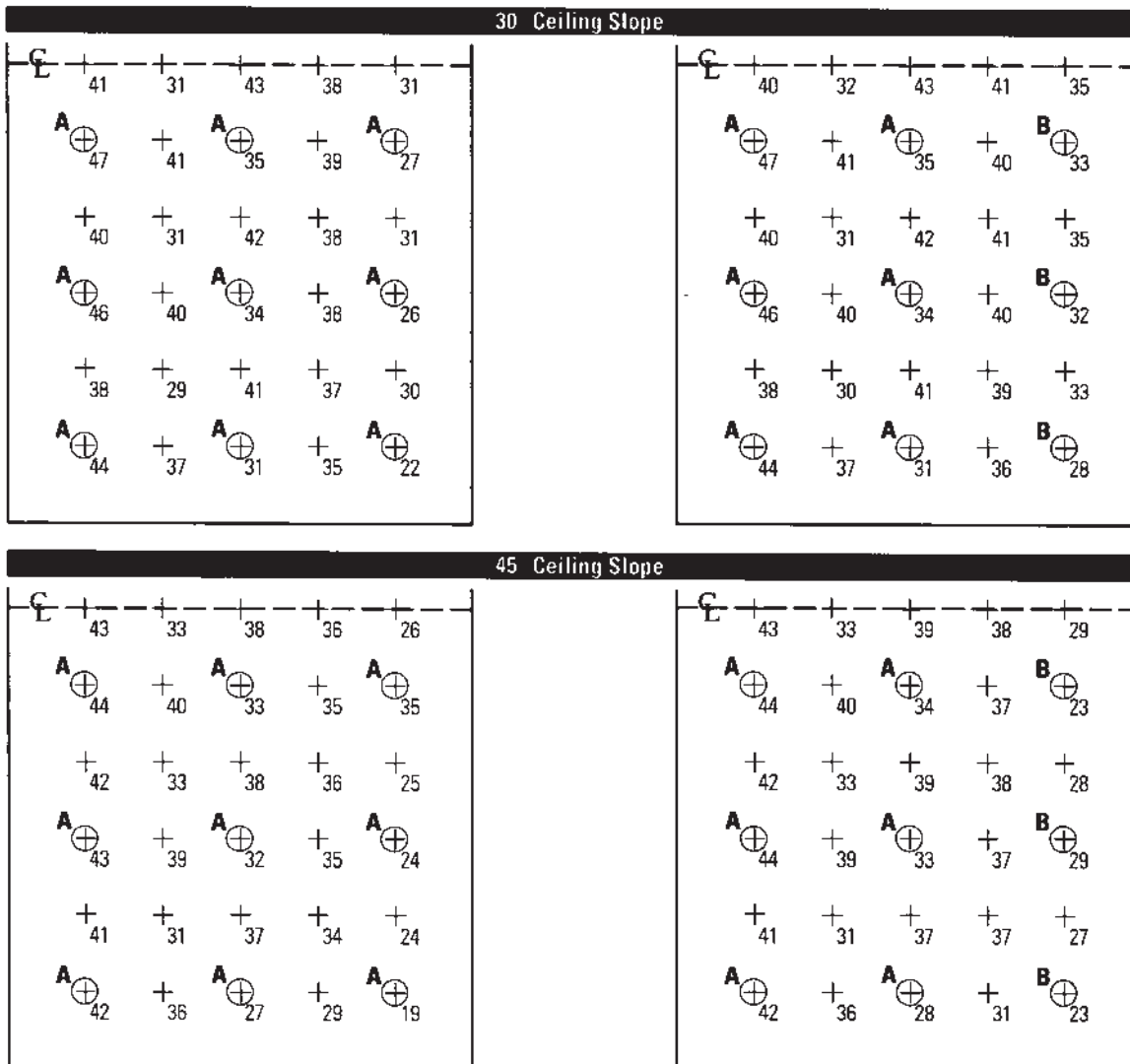
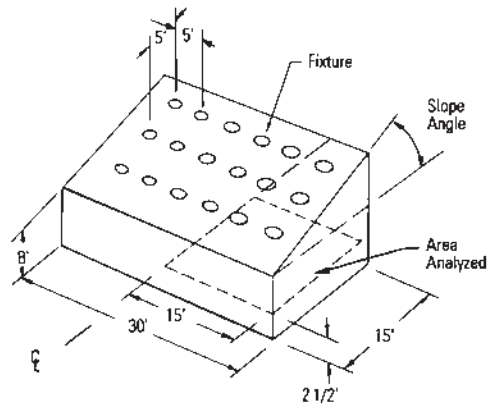
### Footcandles 2 1/2' Above the Floor

Fixture mounted on 5' x 5' centers (horizontally) in 15' x 30' room with sloped ceiling.

Room reflectances: 80% ceiling, 50% walls, 20% floor.

**A** = 75W PAR30 FL (Flood)

**B** = 75W PAR30 NFL (Narrow Flood)



Data calculated with GENESYS using bare lamp photometrics. Fixture spacing exceeding 5' may cause lighting under lowest areas.

To convert lighting data for a lower wattage incandescent lamp of the **same type**, multiply the footcandle (or candlepower) values by the ratio of the lumens of the two lamps. The coefficients of utilization remain the same.

**Job Information** **Type:**

Lightolier a Genlyte company [www.lightolier.com](http://www.lightolier.com)  
 631 Airport Road, Fall River, MA 02720 • (508) 679-8131 • Fax (508) 674-4710  
 We reserve the right to change details of design, materials and finish.  
 © 2011 Genlyte Group LLC • G0711