

Complete Fixture consists of Reflector Trim & Frame-In Kit. Select each separately.

Reflector Trim	Frame-In Kit — See Individual Frame-In Kit Specification Sheets			
	Incandescent			
	Frame-In Kit	Installation Type	Lamping	Height
1131 Black Step Baffle	1100IC	IC	75W PAR30 (Short Neck)	7 5/16"
1131WH White Step Baffle	1100AICM	AirSeal® IC	65W BR30	7 5/16"
1131GD Specular Gold	1104ICX/N	AirSeal® IC	75W PAR30 (Short Neck)	7 1/4"
1131CL Specular Clear			85W BR30	
1131BK Specular Black				

Features

1. **Housing:** Hydroformed aluminum, .040" thick; white trim flange.
2. **Aperture:** Conical aluminum step baffle, matte black or gloss white finish; or hydroformed aluminum cone, specular finish. For ceiling slopes 14° - 30° angle, 3/12 - 7/12 pitch.
3. **Lamp Housing:** Hydroformed aluminum, .040" thick; permits ± 7° vertical adjustment for straight downlighting.
4. **Frame-In Kit:** See Frame-In Kit specification sheets for more details.

Options & Accessories

Extra Wide Flange Trim Ring: 1954 - 8 5/8" O.D.

Labels

UL (Suitable for Damp Locations), I.B.E.W.

US Patent Numbers: 4,313,154; 5,045,985; 5,457,617

Job Information	Type:
Job Name:	
Cat. No.:	
Lamp(s):	
Notes:	

631 Airport Road, Fall River, MA 02720 • (508) 679-8131 • Fax (508) 674-4710
 We reserve the right to change details of design, materials and finish.
www.lightolier.com © 2009 Philips Group • C0309

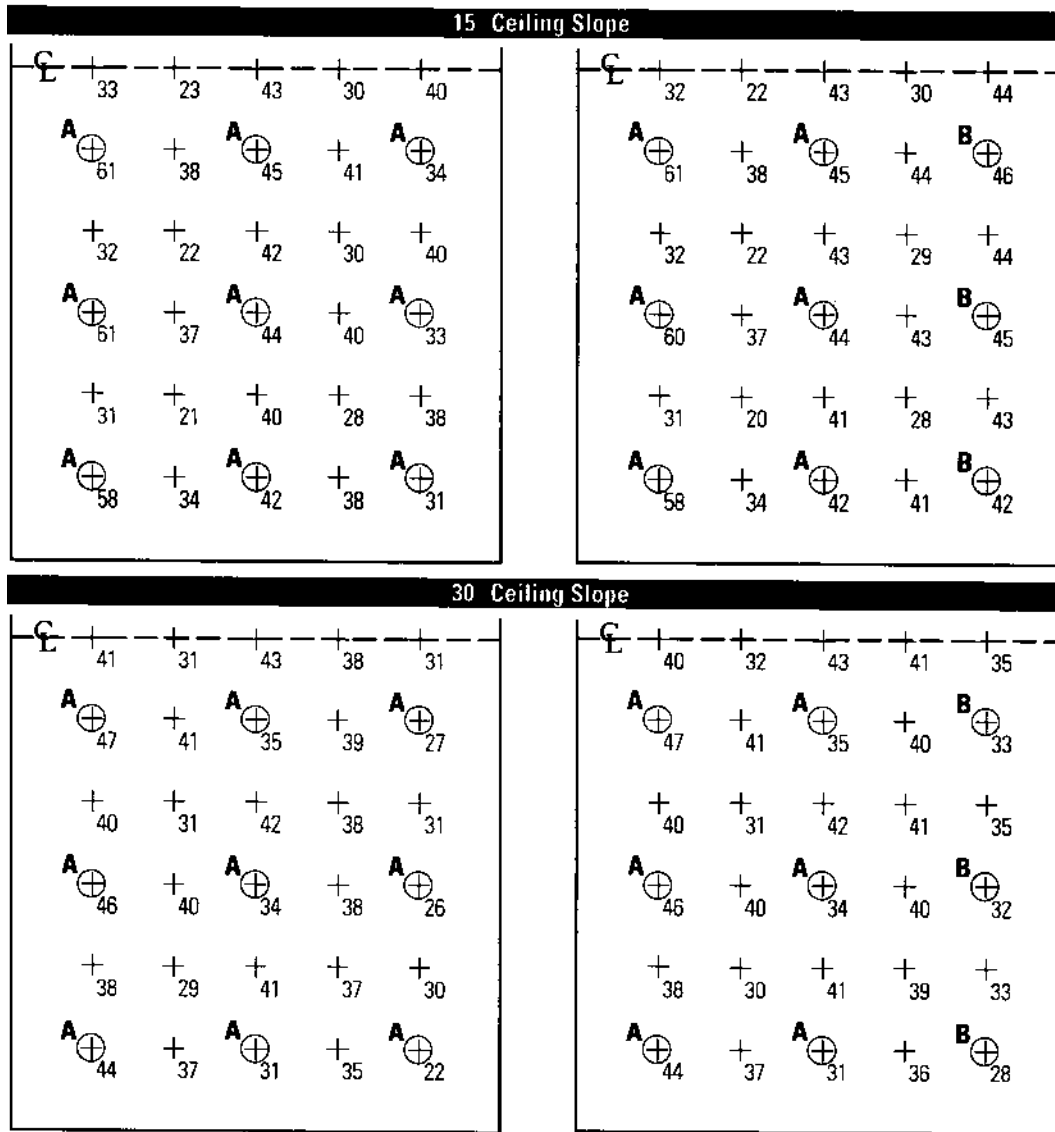
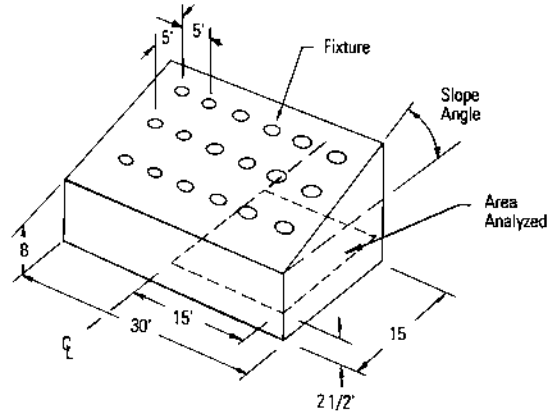
Footcandles 2 1/2' Above the Floor

Fixture mounted on 5' x 5' centers (horizontally) in 15' x 30' room with sloped ceiling.

Room reflectances: 80% ceiling, 50% walls, 20% floor.

A = 75W PAR30 FL (Flood)

B = 75W PAR30 NFL (Narrow Flood)



Data calculated with GENESYS using bare lamp photometrics. Fixture spacing exceeding 5" may cause uneven lighting under lowest ceiling areas.
 To convert lighting data for a lower wattage incandescent lamp of the **same type**, multiply the footcandle (or candlepower) values by the ratio of the lumens of the two lamps.
 The coefficients of utilization remain the same.

Job Information	Type:
------------------------	--------------

631 Airport Road, Fall River, MA 02720 • (508) 679-8131 • Fax (508) 674-4710
 We reserve the right to change details of design, materials and finish.
 www.lightolier.com © 2009 Philips Group • C0309