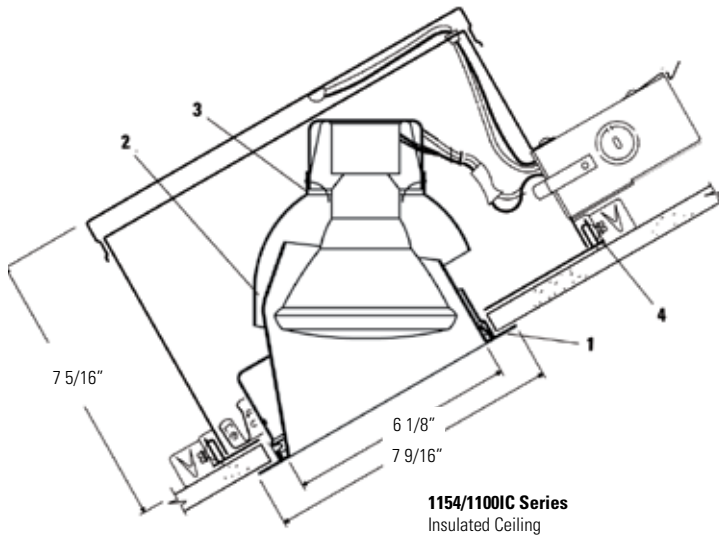




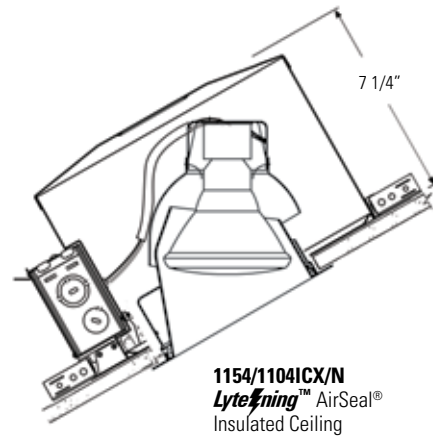
Lytecaster® Recessed Downlighting **1154**

Page 1 of 2

6 3/4" Aperture Complete Slope Ceiling Reflector Trim 14° - 45° Angle, 3/12 - 12/12 Pitch



1154/1100IC Series
Insulated Ceiling



1154/1104ICX/N
Lytefling™ AirSeal®
Insulated Ceiling

1100IC Mounting Frame must be installed with the J-Box on the "UPHILL" side.

1104ICX/N Mounting Frame must be installed with the J-Box on the "DOWNHILL" side.

Reflector Trim		Frame-In Kit - See Individual Frame-In Kit Specification Sheets	
		1100IC / 1100AICM	1104ICX/N
	Frame-In Kit Installation Type	IC	IC
	Height	7 - 5/16"	7 - 1/4"
1154*	Black Step Baffle	90W PAR38	90W PAR38
1154WH	White Step Baffle	90W PAR38	90W PAR38
1154CD*	Clear Diffuse Cone	120W PAR38	120W PAR38
1154CL*	Specular Clear	120W PAR38	90W PAR38
1154GD*	Specular Gold	120W PAR38	120W PAR38
1154BK*	Specular Black	90W PAR38	90W PAR38
1154MW	Matte White Cone	90W PAR38	90W PAR38
1154GWB	Gloss White Baffle	90W PAR38	90W PAR38
1154GWC	Gloss White Cone	90W PAR38	90W PAR38

Complete Fixture consists of Frame-In Kit & Reflector Trim. Select each separately.

*Add "NM" to SKU for Natural Metal™ Flange

Features

- Housing:** Hydroformed aluminum, .040" thick; White or Natural Metal™ trim flange.
- Aperture:** Aluminum step baffle, Matte Black, Matte White, Gloss White or Natural Metal™ finish; or hydroformed aluminum cone, specular, Matte White or Gloss White finishes.
For ceiling slopes 14° - 45° angle, 3/12 - 12/12 pitch.
- Lamp Housing:** Hydroformed aluminum, .040" thick.
- Frame-In Kit:** See Frame-In Kit specification sheets for more details.

Labels

UL (Suitable for Damp Locations), I.B.E.W.

Job Information	Type:
Job Name:	
Cat. No.:	
Lamp(s):	
Notes:	

Lightolier a Genlyte company www.lightolier.com
 631 Airport Road, Fall River, MA 02720 • (508) 679-8131 • Fax (508) 674-4710
 We reserve the right to change details of design, materials and finish.
 © 2006 Genlyte Group LLC • C1006

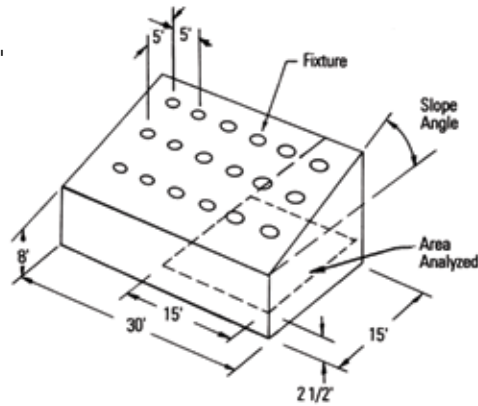
LIGHTOLIER®



Footcandles 2 1/2' Above the Floor

Fixture mounted on 5' x 5' centers (horizontally) in 15' x 30' room with sloped ceiling.

Room reflectances: 80% ceiling, 50% walls, 20% floor.



90W PAR38 WFL(25°)	30° Ceiling Slope	90W PAR38 WFL(60°)																																																																																																																								
<table border="1"> <tr><td>+</td><td>+</td><td>+</td><td>+</td><td>+</td></tr> <tr><td>33.3</td><td>29.5</td><td>32.0</td><td>28.4</td><td>29.5</td></tr> <tr><td>⊕</td><td>+</td><td>⊕</td><td>+</td><td>⊕</td></tr> <tr><td>51.4</td><td>50.7</td><td>50.3</td><td>49.4</td><td>47.4</td></tr> <tr><td>+</td><td>+</td><td>+</td><td>+</td><td>+</td></tr> <tr><td>55.6</td><td>43.5</td><td>54.5</td><td>41.9</td><td>51.6</td></tr> <tr><td>⊕</td><td>+</td><td>⊕</td><td>+</td><td>⊕</td></tr> <tr><td>68.3</td><td>58.0</td><td>67.2</td><td>56.2</td><td>63.8</td></tr> <tr><td>+</td><td>+</td><td>+</td><td>+</td><td>+</td></tr> <tr><td>53.5</td><td>35.2</td><td>52.3</td><td>33.2</td><td>49.4</td></tr> <tr><td>⊕</td><td>+</td><td>⊕</td><td>+</td><td>⊕</td></tr> <tr><td>93.6</td><td>48.3</td><td>92.5</td><td>46.4</td><td>89.9</td></tr> </table>	+	+	+	+	+	33.3	29.5	32.0	28.4	29.5	⊕	+	⊕	+	⊕	51.4	50.7	50.3	49.4	47.4	+	+	+	+	+	55.6	43.5	54.5	41.9	51.6	⊕	+	⊕	+	⊕	68.3	58.0	67.2	56.2	63.8	+	+	+	+	+	53.5	35.2	52.3	33.2	49.4	⊕	+	⊕	+	⊕	93.6	48.3	92.5	46.4	89.9		<table border="1"> <tr><td>+</td><td>+</td><td>+</td><td>+</td><td>+</td></tr> <tr><td>23.4</td><td>22.9</td><td>21.9</td><td>21.0</td><td>18.4</td></tr> <tr><td>⊕</td><td>+</td><td>⊕</td><td>+</td><td>⊕</td></tr> <tr><td>31.4</td><td>31.6</td><td>30.2</td><td>29.1</td><td>25.5</td></tr> <tr><td>+</td><td>+</td><td>+</td><td>+</td><td>+</td></tr> <tr><td>36.3</td><td>35.2</td><td>35.1</td><td>32.4</td><td>29.6</td></tr> <tr><td>⊕</td><td>+</td><td>⊕</td><td>+</td><td>⊕</td></tr> <tr><td>40.7</td><td>39.8</td><td>39.5</td><td>37.0</td><td>33.8</td></tr> <tr><td>+</td><td>+</td><td>+</td><td>+</td><td>+</td></tr> <tr><td>42.7</td><td>39.8</td><td>41.6</td><td>37.4</td><td>35.4</td></tr> <tr><td>⊕</td><td>+</td><td>⊕</td><td>+</td><td>⊕</td></tr> <tr><td>44.4</td><td>39.6</td><td>43.4</td><td>37.7</td><td>37.5</td></tr> </table>	+	+	+	+	+	23.4	22.9	21.9	21.0	18.4	⊕	+	⊕	+	⊕	31.4	31.6	30.2	29.1	25.5	+	+	+	+	+	36.3	35.2	35.1	32.4	29.6	⊕	+	⊕	+	⊕	40.7	39.8	39.5	37.0	33.8	+	+	+	+	+	42.7	39.8	41.6	37.4	35.4	⊕	+	⊕	+	⊕	44.4	39.6	43.4	37.7	37.5
+	+	+	+	+																																																																																																																						
33.3	29.5	32.0	28.4	29.5																																																																																																																						
⊕	+	⊕	+	⊕																																																																																																																						
51.4	50.7	50.3	49.4	47.4																																																																																																																						
+	+	+	+	+																																																																																																																						
55.6	43.5	54.5	41.9	51.6																																																																																																																						
⊕	+	⊕	+	⊕																																																																																																																						
68.3	58.0	67.2	56.2	63.8																																																																																																																						
+	+	+	+	+																																																																																																																						
53.5	35.2	52.3	33.2	49.4																																																																																																																						
⊕	+	⊕	+	⊕																																																																																																																						
93.6	48.3	92.5	46.4	89.9																																																																																																																						
+	+	+	+	+																																																																																																																						
23.4	22.9	21.9	21.0	18.4																																																																																																																						
⊕	+	⊕	+	⊕																																																																																																																						
31.4	31.6	30.2	29.1	25.5																																																																																																																						
+	+	+	+	+																																																																																																																						
36.3	35.2	35.1	32.4	29.6																																																																																																																						
⊕	+	⊕	+	⊕																																																																																																																						
40.7	39.8	39.5	37.0	33.8																																																																																																																						
+	+	+	+	+																																																																																																																						
42.7	39.8	41.6	37.4	35.4																																																																																																																						
⊕	+	⊕	+	⊕																																																																																																																						
44.4	39.6	43.4	37.7	37.5																																																																																																																						
90W PAR38 NFL (Narrow Flood)	45° Ceiling Slope	90W PAR38 WFL(Wide Flood)																																																																																																																								
<table border="1"> <tr><td>+</td><td>+</td><td>+</td><td>+</td><td>+</td></tr> <tr><td>22.3</td><td>23.7</td><td>21.4</td><td>22.7</td><td>18.7</td></tr> <tr><td>⊕</td><td>+</td><td>⊕</td><td>+</td><td>⊕</td></tr> <tr><td>31.8</td><td>31.3</td><td>31.1</td><td>30.1</td><td>27.1</td></tr> <tr><td>+</td><td>+</td><td>+</td><td>+</td><td>+</td></tr> <tr><td>39.3</td><td>38.8</td><td>38.6</td><td>37.5</td><td>35.3</td></tr> <tr><td>⊕</td><td>+</td><td>⊕</td><td>+</td><td>⊕</td></tr> <tr><td>44.2</td><td>43.6</td><td>43.3</td><td>42.4</td><td>40.5</td></tr> <tr><td>+</td><td>+</td><td>+</td><td>+</td><td>+</td></tr> <tr><td>40.7</td><td>31.1</td><td>39.9</td><td>29.6</td><td>37.6</td></tr> <tr><td>⊕</td><td>+</td><td>⊕</td><td>+</td><td>⊕</td></tr> <tr><td>73.9</td><td>37.8</td><td>72.9</td><td>36.4</td><td>71.0</td></tr> </table>	+	+	+	+	+	22.3	23.7	21.4	22.7	18.7	⊕	+	⊕	+	⊕	31.8	31.3	31.1	30.1	27.1	+	+	+	+	+	39.3	38.8	38.6	37.5	35.3	⊕	+	⊕	+	⊕	44.2	43.6	43.3	42.4	40.5	+	+	+	+	+	40.7	31.1	39.9	29.6	37.6	⊕	+	⊕	+	⊕	73.9	37.8	72.9	36.4	71.0		<table border="1"> <tr><td>+</td><td>+</td><td>+</td><td>+</td><td>+</td></tr> <tr><td>20.7</td><td>19.8</td><td>19.1</td><td>18.0</td><td>15.8</td></tr> <tr><td>⊕</td><td>+</td><td>⊕</td><td>+</td><td>⊕</td></tr> <tr><td>26.2</td><td>25.4</td><td>24.7</td><td>22.9</td><td>20.5</td></tr> <tr><td>+</td><td>+</td><td>+</td><td>+</td><td>+</td></tr> <tr><td>30.3</td><td>30.0</td><td>28.7</td><td>27.1</td><td>24.2</td></tr> <tr><td>⊕</td><td>+</td><td>⊕</td><td>+</td><td>⊕</td></tr> <tr><td>34.9</td><td>35.3</td><td>33.3</td><td>32.1</td><td>28.4</td></tr> <tr><td>+</td><td>+</td><td>+</td><td>+</td><td>+</td></tr> <tr><td>39.7</td><td>38.1</td><td>38.4</td><td>35.0</td><td>32.5</td></tr> <tr><td>⊕</td><td>+</td><td>⊕</td><td>+</td><td>⊕</td></tr> <tr><td>44.6</td><td>39.6</td><td>43.4</td><td>37.1</td><td>37.2</td></tr> </table>	+	+	+	+	+	20.7	19.8	19.1	18.0	15.8	⊕	+	⊕	+	⊕	26.2	25.4	24.7	22.9	20.5	+	+	+	+	+	30.3	30.0	28.7	27.1	24.2	⊕	+	⊕	+	⊕	34.9	35.3	33.3	32.1	28.4	+	+	+	+	+	39.7	38.1	38.4	35.0	32.5	⊕	+	⊕	+	⊕	44.6	39.6	43.4	37.1	37.2
+	+	+	+	+																																																																																																																						
22.3	23.7	21.4	22.7	18.7																																																																																																																						
⊕	+	⊕	+	⊕																																																																																																																						
31.8	31.3	31.1	30.1	27.1																																																																																																																						
+	+	+	+	+																																																																																																																						
39.3	38.8	38.6	37.5	35.3																																																																																																																						
⊕	+	⊕	+	⊕																																																																																																																						
44.2	43.6	43.3	42.4	40.5																																																																																																																						
+	+	+	+	+																																																																																																																						
40.7	31.1	39.9	29.6	37.6																																																																																																																						
⊕	+	⊕	+	⊕																																																																																																																						
73.9	37.8	72.9	36.4	71.0																																																																																																																						
+	+	+	+	+																																																																																																																						
20.7	19.8	19.1	18.0	15.8																																																																																																																						
⊕	+	⊕	+	⊕																																																																																																																						
26.2	25.4	24.7	22.9	20.5																																																																																																																						
+	+	+	+	+																																																																																																																						
30.3	30.0	28.7	27.1	24.2																																																																																																																						
⊕	+	⊕	+	⊕																																																																																																																						
34.9	35.3	33.3	32.1	28.4																																																																																																																						
+	+	+	+	+																																																																																																																						
39.7	38.1	38.4	35.0	32.5																																																																																																																						
⊕	+	⊕	+	⊕																																																																																																																						
44.6	39.6	43.4	37.1	37.2																																																																																																																						

Data calculated with GENESYS using bare lamp photometrics. Fixture spacing exceeding 5' may cause uneven lighting under lowest ceiling areas.

To convert lighting data for a lower wattage PAR 38 lamp of the **same type beam spread**, multiply the footcandle (or candlepower) values by the ratio of the lumens of the two lamps. The coefficients of utilization remain the same.

Job Information	Type:
-----------------	-------

Lightolier a Genlyte company www.lightolier.com
 631 Airport Road, Fall River, MA 02720 • (508) 679-8131 • Fax (508) 674-4710
 We reserve the right to change details of design, materials and finish.
 © 2006 Genlyte Group LLC • C1006