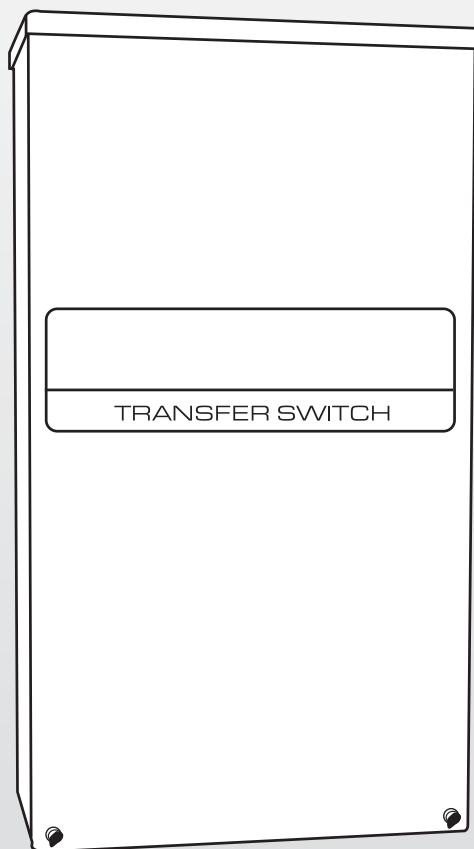


Owner's Manual

Automatic Transfer Switch



⚠ DANGER!

- ⚠ NOT INTENDED FOR USE IN CRITICAL LIFE SUPPORT APPLICATIONS.**
- ⚠ THIS PRODUCT CAN BE INSTALLED BY THE HOMEOWNER. HOWEVER, IF YOU ARE UNCOMFORTABLE WITH THE SKILLS OR TOOLS REQUIRED, HAVE A QUALIFIED ELECTRICIAN OR CONTRACTOR PERFORM THE INSTALLATION.**
- ⚠ DEADLY EXHAUST FUMES! OUTDOOR INSTALLATION ONLY!**

REFERENCE THE OWNER'S MANUAL
SUPPLIED WITH THE GENERATOR
WHEN USING THIS DOCUMENTATION.

This manual should remain with the unit.

Table of Contents

Safety Rules.....	Inside Front Cover
General Information	2
1.1 Introduction.....	2
1.2 Unpacking.....	2
1.3 Equipment Description	2
1.4 Transfer Switch Data Decal.....	3
1.5 Transfer Switch Enclosure	3
1.6 Safe Use Of Transfer Switch.....	3
Installation.....	3
2.1 Introduction to Installation	3
2.2 Mounting.....	3
2.3 Connecting Power Source and Load Lines.....	4
2.4 Connecting Start Circuit Wires.....	4
2.5 Overload Prevention Control Board (OPCB).....	4
2.6 Connection of Power Supply for Contactors.....	6
Operation.....	7
3.1 Functional Tests & Adjustments	7
3.2 Manual Operation.....	7
3.3 Voltage Checks	8
3.4 Generator Tests Under Load.....	9
3.5 Checking Automatic Operation.....	9
3.6 Testing Overload Prevention Control Board (OPCB).....	9
3.7 Installation Summary.....	9
Notes.....	10
Installation Diagrams	11
<hr/>	
Manual del propietario	19
Manuel de l'utilisateur.....	31

! SAVE THESE INSTRUCTIONS! Read the following information carefully before attempting to install, operate or service this equipment. Also read the instructions and information on tags, decals, and labels that may be affixed to the transfer switch. Replace any decal or label that is no longer legible.

! DANGER! Connection of a generator to an electrical system normally supplied by an electric utility shall be by means of suitable transfer equipment so as to isolate the electric system from utility distribution system when the generator is operating (Article 701 Legally Required Standby Systems or Article 702 Optional Standby Systems, as applicable). Failure to isolate electric system by these means may result in damage to generator and may result in injury or death to utility workers due to backfeed of electrical energy.

The manufacturer cannot anticipate every possible circumstance that might involve a hazard. The warnings in this manual, and on tags and decals affixed to the unit are, therefore, not all-inclusive. If using a procedure, work method or operating technique the manufacturer does not specifically recommend, ensure that it is safe for others. Also make sure the procedure, work method or operating technique chosen does not render the transfer switch unsafe.

Throughout this publication, and on tags and decals affixed to the generator, DANGER, WARNING, CAUTION and NOTE blocks are used to alert personnel to special instructions about a particular operation that may be hazardous if performed incorrectly or carelessly. Observe them carefully. Their definitions are as follows:

! DANGER!

After this heading, read instructions that, if not strictly complied with, will result in serious personal injury, including death.

WARNING!

California Proposition 65

Engine exhaust and some of its constituents are known to the state of California to cause cancer, birth defects, and other reproductive harm.

WARNING!

California Proposition 65

This product contains or emits chemicals known to the state of California to cause cancer, birth defects, and other reproductive harm.

⚠ WARNING!

After this heading, read instructions that, if not strictly complied with, could result in serious personal injury, including death.

⚠ CAUTION!


After this heading, read instructions that, if not strictly complied with, might result in minor or moderate injury.

NOTE:

After this heading, read instructions that, if not strictly complied with, may result in damage to equipment and/or property.


These safety warnings cannot eliminate the hazards that they indicate. Common sense and strict compliance with the special instructions while performing the service are essential to preventing accidents.

Four commonly used safety symbols accompany the DANGER, WARNING and CAUTION blocks. The type of information each indicates follows:

 **This symbol points out important safety information that, if not followed, could endanger personal safety and/or property.**

 **This symbol points out potential explosion hazard.**

 **This symbol points out potential fire hazard.**

 **This symbol points out potential electrical shock hazard.**

GENERAL HAZARDS

- Any AC generator that is used for backup power if a NORMAL (UTILITY) power source failure occurs, must be isolated from the NORMAL (UTILITY) power source by means of an approved transfer switch. Failure to properly isolate the NORMAL and STANDBY power sources from each other may result in injury or death to electric utility workers, due to backfeed of electrical energy.
- Improper or unauthorized installation, operation, service or repair of the equipment is extremely dangerous and may result in death, serious personal injury, or damage to equipment and/or personal property.
- Extremely high and dangerous power voltages are present inside an installed transfer switch. Any contact with high voltage terminals, contacts or wires will result in extremely hazardous, and possibly LETHAL, electric shock. DO NOT WORK ON THE TRANSFER SWITCH UNTIL ALL POWER VOLTAGE SUPPLIES TO THE SWITCH HAVE BEEN POSITIVELY TURNED OFF.

- Competent, qualified personnel should install, operate and service this equipment. Adhere strictly to local, state and national electrical and building codes. When using this equipment, comply with regulations the National Electrical Code (NEC), CSA Standard; C22.1 Canadian Electric Code and Occupational Safety and Health Administration (OSHA) have established.
- Never handle any kind of electrical device while standing in water, while barefoot, or while hands or feet are wet. DANGEROUS ELECTRICAL SHOCK MAY RESULT.
- Remove all jewelry (such as rings, watches, bracelets, etc.) before working on this equipment.
- If work must be done on this equipment while standing on metal or concrete, place insulative mats over a dry wood platform. Work on this equipment only while standing on such insulative mats.
- Never work on this equipment while physically or mentally fatigued.
- Keep the transfer switch enclosure door closed and bolted at all times. Only qualified personnel should be permitted access to the switch interior.
- In case of an accident caused by electric shock, immediately shut down the source of electrical power. If this is not possible, attempt to free the victim from the live conductor but AVOID DIRECT CONTACT WITH THE VICTIM. Use a nonconducting implement, such as a dry rope or board, to free the victim from the live conductor. If the victim is unconscious, apply first aid and get immediate medical help.
- When an automatic transfer switch is installed for a standby generator set, the generator engine may crank and start at any time without warning. To avoid possible injury that might be caused by such sudden start-ups, the system's automatic start circuit must be disabled before working on or around the generator or transfer switch. Then place a "DO NOT OPERATE" tag on the transfer switch and on the generator. Remove the Negative (Neg) or (-) battery cable.

**For authorized service,
reference the dealer locator
number found inside the
generator owner's manual.**

General Information

1.1 INTRODUCTION

This manual has been prepared especially for the purpose of familiarizing personnel with the design, application, installation, operation and servicing of the applicable equipment. Read the manual carefully and comply with all instructions. This will help to prevent accidents or damage to equipment that might otherwise be caused by carelessness, incorrect application, or improper procedures.

Every effort has been expended to make sure that the contents of this manual are both accurate and current. The manufacturer, however, reserves the right to change, alter or otherwise improve the product or manual at any time without prior notice.

1.2 UNPACKING

Carefully unpack the transfer switch. Inspect closely for any damage that might have occurred during shipment. The purchaser must file with the carrier any claims for loss or damage incurred while in transit.

Check that all packing material is completely removed from the switch prior to installation.

1.3 EQUIPMENT DESCRIPTION

The automatic transfer switch is used for transferring electrical load from a UTILITY (NORMAL) power source to an GENERATOR (STANDBY) power source. Such a transfer of electrical loads occurs automatically when the UTILITY power source has failed or is substantially reduced and the GENERATOR source voltage and frequency have reached an acceptable level. The transfer switch prevents electrical feedback between two different power sources (such as the UTILITY and GENERATOR sources) and, for that reason, codes require it in all standby electric system installations.

The transfer switch consists of a transfer mechanism, UTILITY SERVICE DISCONNECT circuit breaker, a control relay, fuses, terminal strip, and fuse holder for connection of sensing wires.

This transfer switch is suitable for use as service equipment.

1.3.1 TRANSFER SWITCH MECHANISM

These switches (Figure 1.1) are used with a single-phase system, when the single-phase NEUTRAL line is to be connected to a Neutral Lug and is not to be switched.

Solderless, screw-type terminal lugs are standard.

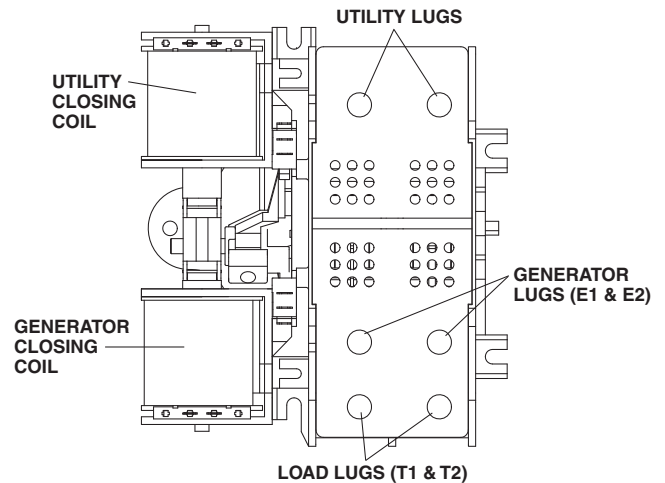
Switch Rating	Wire Range	Conductor Tightening Torque
100A	#14-1/0 AWG	50 in-lbs.
200A	#6-250 MCM	275 in-lbs.

This transfer switch is suitable for control of motors, electric discharge lamps, tungsten filament and electric heating equipment where the sum of motor full load ampere ratings and the ampere ratings of other loads do not exceed the ampere rating of the switch and the tungsten load does not exceed 30 percent of the switch rating.

This UL listed transfer switch is for use in optional standby systems only (NEC article 702).

This transfer switch is suitable for use on a circuit capable of 22,000 rms (200A) and 10,000 (100A) symmetrical amperes, 240 VAC maximum.

Figure 1.1 — Typical ATS Transfer Mechanism



1.3.2 UTILITY SERVICE DISCONNECT CIRCUIT BREAKER

The utility service and generator disconnect circuit breakers for the 100 amp models are:

- Type BQ, 2-pole
- 120/240VAC, 100A
- 50/60 Hertz
- Heating, Air Conditioning and Refrigeration (HACR) rated
- Wire range: #1 - #8 AWG.
- The conductor tightening torque is 50 in-lbs.

The utility service circuit breaker for the 150/200 amp models are:

- Type 225AF, 2-pole
- 120/240VAC, 150A/200A
- 50/60 Hertz
- Wire range: 300 MCM - 6 STR (Line), 250 MCM - 6 STR (Load - ATS)
- The conductor tightening torque is 375 in-lbs. (Line), 275 in-lbs. (Load - ATS)

1.3.3 OVERLOAD PREVENTION CONTROL BOARD (OPCB)

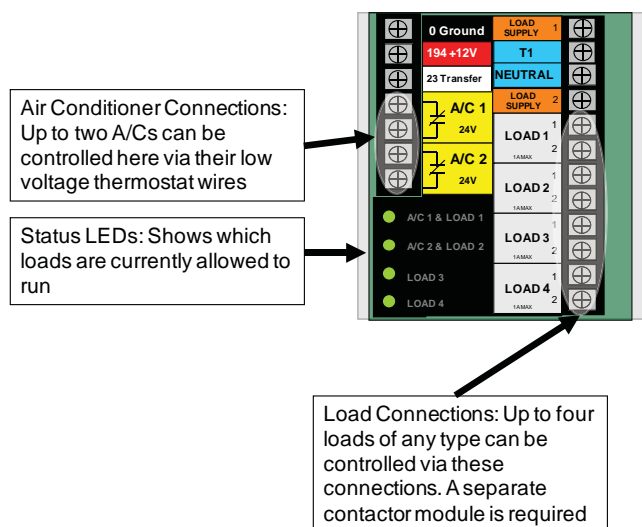
The Overload Prevention Control Board is designed to prevent an overload on the generator when it is supplying the customer loads (see Figure 1.2). Up to six loads can be managed by the OPCB; 2 air conditioner loads and 4 other loads. The OPCB manages the loads by "shedding" the connected loads in the event of a drop in generator frequency (overload). Loads to be "shed" are grouped in 4 priority levels on the OPCB.

- Priority 1 and 2 has connections for both one air conditioner and one contactor. Both an air conditioner and a contactor can be used at the same time if desired. To control an air conditioner, no additional equipment is required. Internal relays interrupt the thermostat 24VAC control signal to disable the air conditioner load.

- Priority 3 and 4 have connections for one contactor only.
- Four LEDs, located on the Overload Prevention Control Board, will indicate when a load priority level is enabled. When loads are connected, the LEDs will be illuminated.
- Any loads, including central air conditioners, can be controlled via a contactor that must be purchased separately. Up to four contactors can be controlled by the Overload Prevention Control Board (24 Vac or 120 Vac is supplied through the OPCB to energize each contactor coil).
- Generator overload condition is determined by generator frequency. Loads are shed when the frequency is <58Hz for 3 seconds or <50Hz for ½ Second (For 60Hz).

The OPCB has a Test button which forces the unit to act as if an overload has occurred. This button operates even when the transfer signal is inactive.

Figure 1.2 — Overload Prevention Control Board



1.4 TRANSFER SWITCH DATA DECAL

A DATA DECAL is permanently affixed to the transfer switch enclosure. Use this transfer switch only with the specific limits shown on the DATA DECAL and on other decals and labels that may be affixed to the switch. This will prevent damage to equipment and property.

When requesting information or ordering parts for this equipment, make sure to include all information from the DATA DECAL.

Record the Model and Serial numbers in the space provided below for future reference.

MODEL #	
SERIAL #	

1.5 TRANSFER SWITCH ENCLOSURE

The standard switch enclosure is a National Electrical Manufacturer's Association (NEMA) and UL 3R type. UL and NEMA 3R (indoor/outdoor rated) type enclosures primarily provide a degree of protection against falling rain and sleet; undamaged by the formation of ice on the enclosure.

1.6 SAFE USE OF TRANSFER SWITCH

Before installing, operating or servicing this equipment, read the SAFETY RULES (inside front cover) carefully. Comply strictly with all SAFETY RULES to prevent accidents and/or damage to the equipment. The manufacturer recommends that a copy of the SAFETY RULES are posted near the transfer switch. Also, be sure to read all instructions and information found on tags, labels and decals affixed to the equipment.

Three publications that outline the safe use of transfer switches are the following:

- NFPA 70; National Electrical Code
- NFPA 70E; Standard for Electrical Safety in the Workplace
- UL 1008, STANDARD FOR SAFETY-AUTOMATIC TRANSFER SWITCHES

NOTE:

It is essential to use the latest version of any standard to ensure correct and current information.

2.1 INTRODUCTION TO INSTALLATION

This equipment has been wired and tested at the factory. Installing the switch includes the following procedures:

- Mounting the enclosure.
- Connecting power source leads and load leads.
- Connecting the generator sensing and transfer relay circuits.
- Connecting any auxiliary contact (if needed)
- Connect Overload Prevention Control Board loads (as required)
- Testing functions.

2.2 MOUNTING

Mounting dimensions for the transfer switch enclosure are in this manual. Enclosures are typically wall-mounted. See the "Installation Diagram".

▲ CAUTION!

▲ Handle transfer switches carefully when installing. Do not drop the switch. Protect the switch against impact at all times, and against construction grit and metal chips. Never install a transfer switch that has been damaged.

Installation

This transfer switch is mounted in a UL type 3R enclosure. It can be mounted outside or inside and should be based on the layout of installation, convenience and proximity to the utility supply and load center.

Install the transfer switch as close as possible to the electrical loads that are to be connected to it. Mount the switch vertically to a rigid supporting structure. To prevent switch distortion, level all mounting points. If necessary, use washers behind mounting holes to level the unit.

2.3 CONNECTING POWER SOURCE AND LOAD LINES

⚠ DANGER!

⚠ Make sure to turn OFF both the UTILITY (NORMAL) and GENERATOR (STANDBY) power supplies before trying to connect power source and load lines to the transfer switch. Supply voltages are extremely high and dangerous. Contact with such high voltage power supply lines causes extremely hazardous, possibly lethal, electrical shock.

Wiring diagrams and electrical schematics are provided in this manual.

NOTE:

All installations must comply with national, state and local codes. It is the responsibility of the installer to perform an installation that will pass the final electrical inspection.

The utility supply connection is made at the UTILITY SERVICE DISCONNECT circuit breaker terminals. The generator and customer load connections are made at the transfer switch mechanism, inside the switch enclosure.

Conductor sizes must be adequate to handle the maximum current to which they will be subjected, based on the 75°C column of tables, charts, etc. used to size conductors. The installation must comply fully with all applicable codes, standards and regulations.

All power cables must enter the enclosure through the knockouts provided. If not using the knockouts, conduit entry into the enclosure must be at or below knockouts to maintain the Type 3R rating. Conduits should be arranged to provide separation between the Utility and Generator supply conductors inside the enclosure.

Before connecting wiring cables to terminals, remove any surface oxides from the cable ends with a wire brush. If ALUMINUM conductors are used, apply corrosion inhibitor to conductors. Tighten terminal lugs to the torque values on "Utility Service Disconnect Circuit Breaker", and on the decal located on the inside of the door. After tightening terminal lugs, carefully wipe away any excess corrosion inhibitor.

⚠ CAUTION!

⚠ Use a torque wrench to tighten the conductors, being sure not to overtighten, or damage to the switch base could occur. If not tightened enough, a loose connection would result, causing excess heat which could damage the switch base.

Connect power source load conductors to clearly marked transfer mechanism terminal lugs as follows

1. Connect UTILITY (NORMAL) power source cables to UTILITY SERVICE DISCONNECT circuit breaker.
2. Connect the GENERATOR (STANDBY) source power cables to switch terminals E1, E2.
3. Connect customer LOAD leads to switch terminals T1, T2.

Conductors must be properly supported, of approved insulative qualities, protected by approved conduit, and of the correct wire gauge size in accordance with applicable codes.

Be sure to maintain proper electrical clearance between live metal parts and grounded metal. Allow at least 1/2 inch for 100-400 amp circuits.

2.4 CONNECTING START CIRCUIT WIRES

Control system interconnections (Electrical Data section) consist of UTILITY 1 (N1), UTILITY 2 (N2) and LOAD (T1), and leads 23, 0 and 194. Recommended wire gauge sizes for this wiring depends on the length of the wire, as recommended in the following chart:

MAXIMUM WIRE LENGTH	RECOMMENDED WIRE SIZE
1-115 ft (1-35m)	No. 18 AWG.
116-185 ft (36-56m)	No. 16 AWG.
186-295 ft (57-89m)	No. 14 AWG.
296-460 ft (90-140m)	No. 12 AWG.

2.5 OVERLOAD PREVENTION CONTROL BOARD (OPCB)

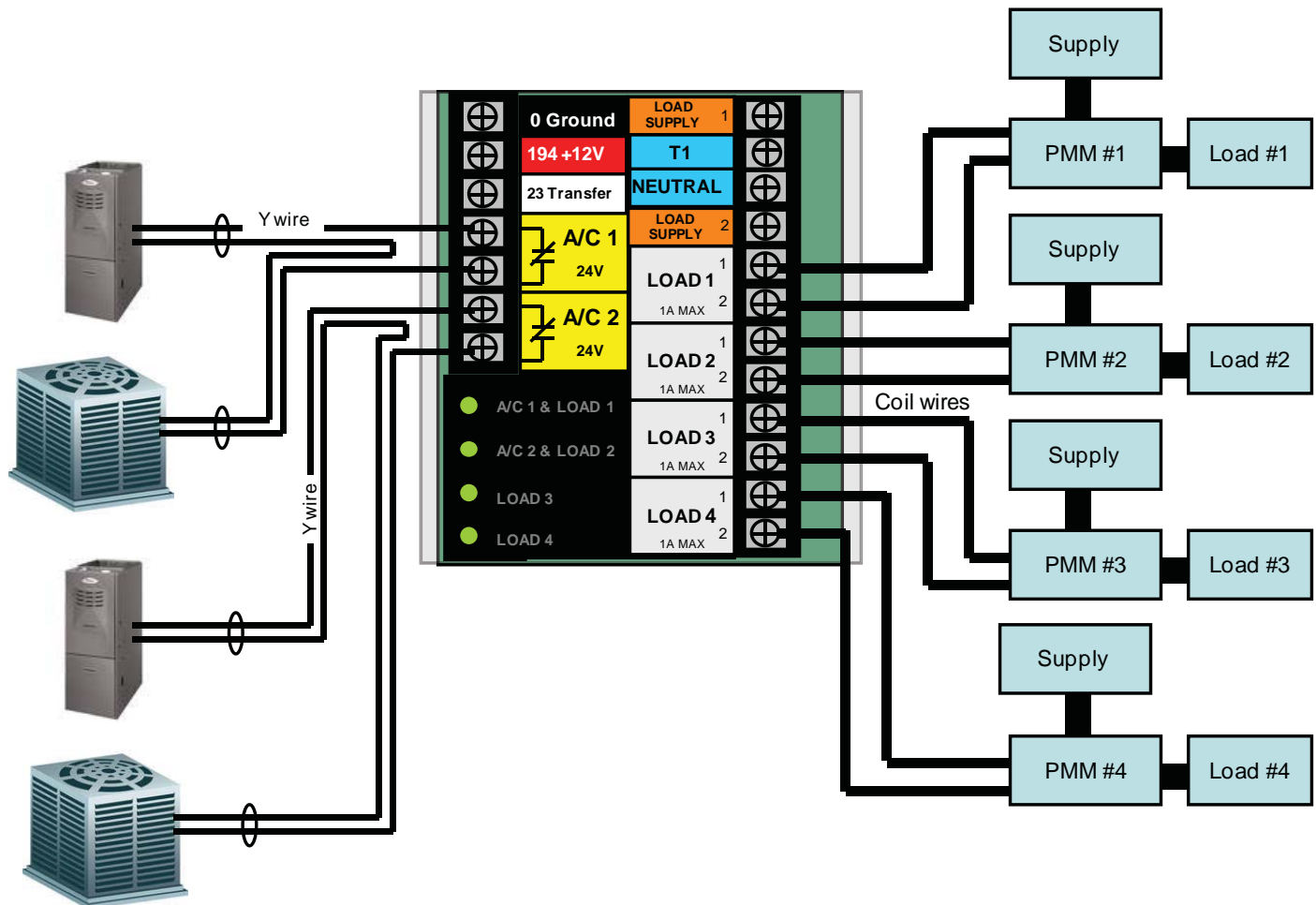
The OPCB can control an air conditioner (24 Vac) directly or a separate contactor (24 Vac or 120 Vac operating coil) which can control any load connected to it. See Figure 2.1.

The Power Management Module (PMM) is not supplied with the transfer switch. It can be purchased separately from the manufacturer. The PMM is for use with the Overload Prevention Control Board (OPCB) mounted in the transfer switch. The OPCB is designed and connected to power the PMM contactor operating coil. The OPCB is supplied by a 24 Vac supply, class 2 power supply transformer, connected to the LOAD supply in the RTS. (Each output is limited to 1 amp) The PMM contactor coil connections are made at the OPCB terminal strip.

Connect the PMM contactor coil to OPCB contactor terminals (1, 2, 3 or 4). The selection of contactor terminal used will depend on the priority of the load being controlled. This is a 24 Vac circuit and wiring methods for class 2 should be used. Use ¼" quick connect terminals to make the contactor coil connections on the PMM. See Figure 2.1.

A grommet is provided to route Class 2 wiring through. The grommet can be used in any knockout for NEMA 1 installations. The grommet can only be used in the bottom knockouts for NEMA 3R installations.

Figure 2.1 — Overload Prevention Control



Control of Air Conditioner Load

1. Route the thermostat cable (from the furnace to the outdoor air conditioner unit) to the transfer switch.
2. Connect the wire to the terminal strip terminals (Air 1) on the OPCB as shown in Figure 2.1. These are normally closed contacts which open upon load shed conditions. Route thermostat wire away from High voltage wires.
3. If required, connect the second air conditioner to the terminal strip terminals (Air 2).

Contact Ratings	
Air 1 & 2	24 VAC, 5.0 Amps Max

NOTE:

These instructions are for a typical air conditioner installation. Control of heat pump and 2-stage air conditioners will require special connections or the use of Power Management Modules to control the loads.

Control of a Separate Contactor

A separate contactor relay module can be purchased from the manufacturer. This model is supplied in a 24 Vac or 120 Vac coil version.

1. Mount the contactor module and connect the load to the main contacts.
2. Connect the contactor coil to the desired OPCB L1-L4 terminals on the terminal strip.
3. Connect additional Power Management Module contactors in a similar fashion.

NOTE:

It will be necessary to determine the order of “shedding” the connected loads and connect the loads to the OPCB in that order. One is the highest priority and four is the lowest priority.

Installation

2.5.1 LOAD SHED SEQUENCE OF OPERATION

When configured for full functionality, six loads are organized into four priority groups. Priority 1 (A/C 1) and the associated general use contactor (Load 1) is the highest priority and is usually the first load(s) reconnected (except in fast load shed mode). Priority 4 (Load 4) is the lowest priority and is usually the last load reconnected (except in fast load shed mode). The priority groups are as follows:

Priority Group 1

- A/C 1 and Load 1

Priority Group 2

- A/C 2 and Load 2

Priority Group 3

- Load 3

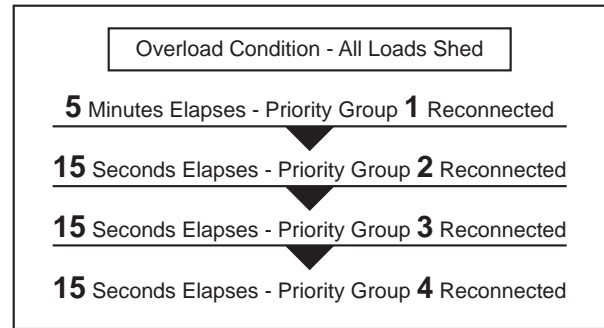
Priority Group 4

- Load 4

Since A/C is typically considered the most important, it is hardwired as the two highest priority levels (A/C 1, A/C 2). Two other loads that may be considered of equivalent importance are wired to the associated general use contactors (Load 1, Load 2). Loads of lesser importance are wired to the remaining contactors (Load 3, Load 4).

If the OPCB is fully functional and managing six connected loads, and an event occurs which causes a load to increase beyond the capacity of the generator, the OPCB identifies an overload condition and instantly sheds all loads. After five minutes elapses, the OPCB reconnects the loads associated with Priority Group 1 (A/C 1, Load 1), and then reconnects the remaining loads at fifteen second intervals. If the OPCB sees another overload while it is reconnecting loads, the offending load is shed and locked out for 30 minutes. The next load in the sequence is then reconnected. This process continues until all loads have tried to reconnect (Figure 2.2).

Figure 2.2 — Standard Load Shed



2.6 CONNECTION OF POWER SUPPLY FOR CONTACTORS

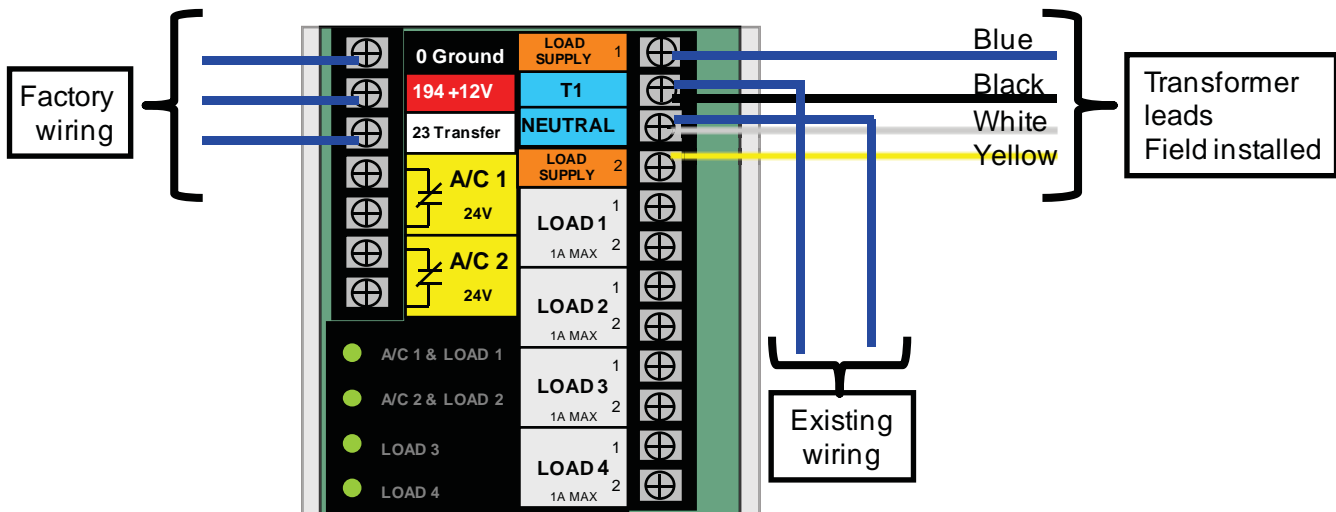
The Overload Prevention Control Board (OPCB) can be powered from either a 24 Vac or 120 Vac power supply. The 24 Vac supply is from a class 2 transformer that can be purchased from the manufacturer. Mounting holes are provided in the enclosure subplate for mounting of the transformer. The 120 Vac supply is fused at 5 amps and is factory connected to OPCB terminals labeled "T1 and "Neutral".

2.6.1 24 VAC SUPPLY

Transformer connection are made as shown in Figure 2.3.

- Blue wire - OPCB "LOAD SUPPLY 1" terminal
- Black wire - OPCB "T1" terminal
- White wire - OPCB "NEUTRAL" terminal
- Yellow wire - OPCB "LOAD SUPPLY 2" terminal

Figure 2.3 — 24 Vac Supply Connections



2.6.2 120 VAC SUPPLY

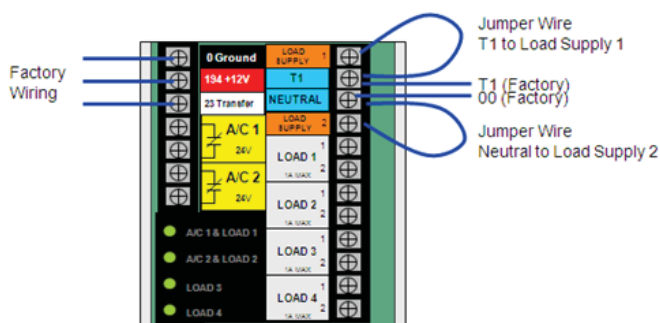
Install the following jumpers on the OPCB (Figure 2.4).

- Load Supply 1 to T1
- Load Supply 2 to Neutral

⚠ CAUTION!

⚠ **Load supply voltage on the OPCB terminals must match the PMM contactor coil voltage, or the equipment will be damaged.**

Figure 2.4 — 120 Vac Supply Connections



3.1 FUNCTIONAL TESTS AND ADJUSTMENTS

Following transfer switch installation and interconnection, inspect the entire installation carefully. A competent, qualified electrician should inspect it. The installation should comply strictly with all applicable codes, standards, and regulations. When absolutely certain the installation is proper and correct, complete a functional test of the system.

⚠ CAUTION!

⚠ **Perform functional tests in the exact order presented in this manual, or damage could be done to the switch.**

IMPORTANT: Before proceeding with functional tests, read and make sure all instructions and information in this section are understood. Also read the information and instructions of labels and decals affixed to the switch. Note any options or accessories that might be installed and review their operation.

3.2 MANUAL OPERATION

⚠ DANGER!

⚠ **Do NOT manually transfer under load. Disconnect transfer switch from all power sources by approved means, such as the main circuit breaker(s).**

A manual HANDLE is shipped with the transfer switch. Manual operation must be checked BEFORE the transfer switch is operated electrically. To check manual operation, proceed as follows:

1. Put the generator into the OFF mode.
2. Turn OFF both UTILITY (service disconnect circuit breaker) and GENERATOR (generator main line circuit breaker) power supplies to the transfer switch.
3. Note position of transfer mechanism main contacts by observing the moveable contact carrier arm. This can be viewed through the long narrow slot in the inside cover of the ATS. The top of the moveable contact carrier arm is yellow to be easily identified.
 - Manual operation handle in the UP position - LOAD terminals (T1, T2) are connected to UTILITY terminals (N1, N2).
 - Manual operation handle in the DOWN position - LOAD terminals (T1, T2) are connected to EMERGENCY terminals (E1, E2).

⚠ CAUTION!

⚠ **Do not use excessive force when operating the transfer switch manually or damage could be done to the manual handle.**

3.2.1 CLOSE TO UTILITY SOURCE SIDE

Before proceeding, verify the position of the switch by observing the position of manual operation handle in Figure 3.1. If the handle is UP, the contacts are closed in the NORMAL (UTILITY) position, no further action is required. If the handle is DOWN, proceed with Step 1.

Step 1: With the handle inserted into the moveable contact carrier arm, move handle UP. Be sure to hold on to the handle as it will move quickly after the center of travel.

Step 2: Remove manual operating handle from moveable contact carrier arm. Return handle to storage bracket.

3.2.2 CLOSE TO GENERATOR SOURCE SIDE

Before proceeding, verify the position of the switch by observing the position of the manual operation handle in Figure 3.1. If the handle is DOWN, the contacts are closed in the GENERATOR (STANDBY) position. No further action is required. If the handle is UP, proceed with Step 1.

Step 1: With the handle inserted into the moveable contact carrier arm, move the handle DOWN. Be sure to hold on to the handle as it will move quickly after the center of travel.

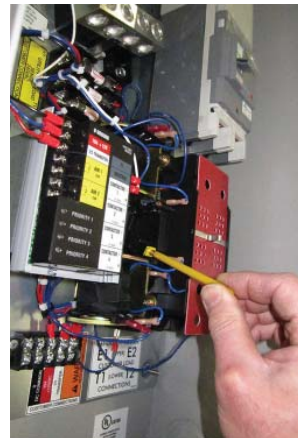
Step 2: Remove manual operating handle from moveable contact carrier arm. Return handle to storage bracket.

Figure 3.1 — Actuating Transfer Switch



Move handle UP for the NORMAL (UTILITY) position.

NOTE: Return handle to storage position in enclosure when finished with manual transfer.



Move handle DOWN for the EMERGENCY (STANDBY) position.

3.2.3 RETURN TO UTILITY SOURCE SIDE

- Step 1: Manually actuate switch to return manual operating handle to the UP position.
- Step 2: Remove manual operating handle from moveable contact carrier arm. Return handle to storage bracket.

3.3 VOLTAGE CHECKS

1. Turn ON the UTILITY power supply to the transfer switch using the UTILITY SERVICE DISCONNECT circuit breaker.

⚠ DANGER!

⚠ PROCEED WITH CAUTION. THE TRANSFER SWITCH IS NOW ELECTRICALLY HOT. CONTACT WITH LIVE TERMINALS RESULTS IN EXTREMELY HAZARDOUS AND POSSIBLY FATAL ELECTRICAL SHOCK.

2. With an accurate AC voltmeter, check for correct voltage. Measure across ATS terminal lugs N1 and N2. Also check N1 to NEUTRAL and N2 to NEUTRAL.
3. When certain that UTILITY supply voltage is correct and compatible with transfer switch ratings, turn OFF the UTILITY supply to the transfer switch.
4. Set the generator to the MANUAL mode. The generator should crank and start.
5. Let the generator stabilize and warm up at no-load for at least five minutes.
6. Set the generator's main circuit breaker (CB1) to its ON or CLOSED position.

⚠ DANGER!

⚠ PROCEED WITH CAUTION. GENERATOR OUTPUT VOLTAGE IS NOW BEING DELIVERED TO TRANSFER SWITCH TERMINALS. CONTACT WITH LIVE TERMINALS RESULTS IN EXTREMELY DANGEROUS AND POSSIBLY FATAL ELECTRICAL SHOCK.

7. With an accurate AC voltmeter and frequency meter, check the no-load, voltage and frequency. Measure across ATS terminal lugs E1 to E2. Also check E1 to NEUTRAL and E2 to NEUTRAL.
 - a. Frequency 60-62 Hertz
 - b. Terminals E1 to E2 240-246 VAC
 - c. Terminals E1 to NEUTRAL 120-123 VAC
 - d. Terminals E2 to NEUTRAL 120-123 VAC
8. Set the generator's main circuit breaker (CB1) to its OFF or OPEN position.
9. Set the generator to the OFF mode to shut down the generator.

NOTE:

Do NOT proceed until generator AC output voltage and frequency are correct and within stated limits. If the no-load voltage is correct but no-load frequency is incorrect, the engine governed speed may require adjustment. If no-load frequency is correct but voltage is not, the voltage regulator may require adjustment.

3.4 GENERATOR TESTS UNDER LOAD

1. Set the generator's main circuit breaker to its OFF or OPEN position.
2. Set the UTILITY SERVICE DISCONNECT circuit breaker to the OFF or OPEN position.
3. Manually actuate the transfer switch main contacts to their GENERATOR (STANDBY) position. Refer to "Manual Operation".
4. To start the generator, put it into the MANUAL mode. When engine starts, let it stabilize for a few minutes.
5. Turn the generator's main circuit breaker to its ON or CLOSED position. The generator now powers all LOAD circuits. Check generator operation under load as follows:
 - Turn ON electrical loads to the full rated wattage/amperage capacity of the generator. DO NOT OVERLOAD.
 - With maximum rated load applied, check voltage and frequency across transfer switch terminals E1 and E2. Voltage should be greater than 230VAC and frequency should be greater than 59 Hertz. Also, verify that the gas pressure remains within acceptable parameters (see the generator Installation Guidelines manual).
 - Let the generator run under rated load for at least 30 minutes. With unit running, listen for unusual noises, vibration, overheating, etc., that might indicate a problem.
6. When checkout under load is complete, turn the generator's main circuit breaker to its OFF or OPEN position.
7. Let the generator run at no-load for several minutes. Then, shut down by putting it into the OFF mode.

3.5 CHECKING AUTOMATIC OPERATION

To check the system for proper automatic operation, proceed as follows:

1. Ensure that the generator is in its OFF mode.
2. Install front cover of the transfer switch.
3. Turn ON the utility power supply to the transfer switch, using the means provided (such as a utility main line circuit breaker).

NOTE:

Transfer Switch will transfer back to utility position.

4. Set the generator's main circuit breaker to its ON (or CLOSED) position.
5. Push the generator's AUTO mode button. The system is now ready for automatic operation.
6. Turn OFF the utility power supply to the transfer switch.

With the generator ready for automatic operation, the engine should crank and start when the utility source power is turned OFF after a 10 second delay (factory default setting). After starting, the transfer switch should connect load circuits to the standby side after a five (5) second delay. Let the system operate through its entire automatic sequence of operation.

With the generator running and loads powered by generator AC output, turn ON the utility power supply to the transfer switch. The following should occur:

- After approximately 15 seconds, the switch should transfer loads back to the utility power source.
- Approximately one minute after re-transfer, the engine should shut down.

With the generator in the AUTOMATIC mode, the system is now set for fully automatic operation.

3.6 TESTING OVERLOAD PREVENTION CONTROL BOARD (OPCB)

A Test pushbutton is provided on the bottom of the OPCB to test the operation of the tested functions. The Test button will work when the ATS is in the Utility or the Generator position.

1. Turn the Utility supply on to the ATS.
2. Press the TEST pushbutton on the OPCB.
3. Verify that all of the connected loads to be "shed" become disabled. The method of verification will depend on the type of load.
4. After five (5) minutes verify AC 1 and Load 1 are energized Status LED AC 1 and Load 1 is ON.
5. After another 15 seconds, verify AC 2 and Load 2 are energized Status LED AC 2 and Load 2 are ON.
6. After another 15 seconds, verify Load 3 is energized Status Load 3 is ON.
7. After another 15 seconds, verify Load 4 is energized Status Load 4 is ON.

3.7 INSTALLATION SUMMARY

1. Ensure that the installation has been properly performed as outlined by the manufacturer and that it meets all applicable laws and codes.
2. Test and confirm proper operation of the system as outlined in the appropriate installation and owner's manuals.
3. Educate the end-user on the proper operation, maintenance and service call procedures.

Important! If the end user ever finds it necessary to turn the generator off during prolonged utility outages to conserve on fuel, educate them on these simple, but important steps:

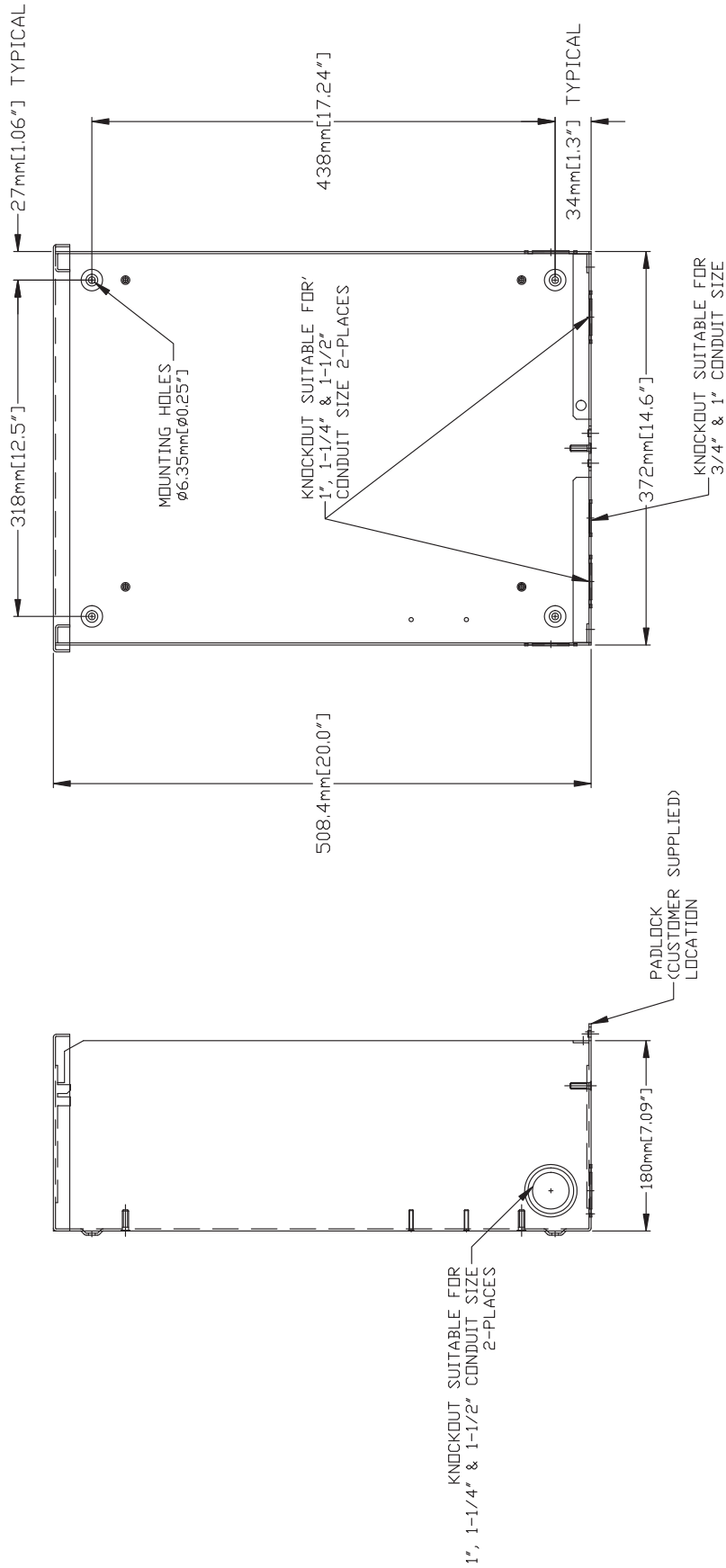
To turn the generator OFF (while running in AUTO and online):

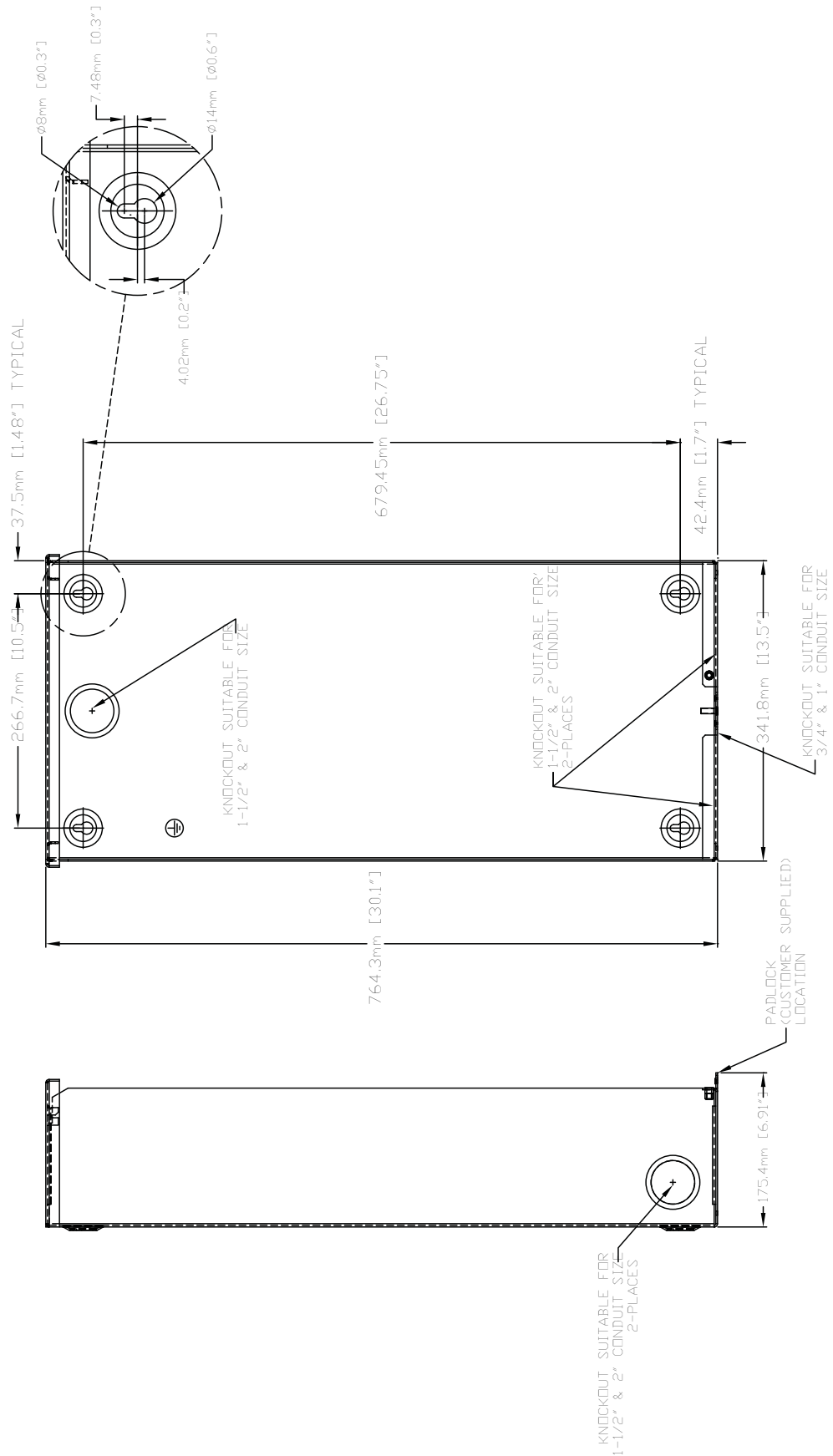
1. Turn OFF (or OPEN) the main Utility disconnect.
2. Turn OFF (or OPEN) the Main Line Circuit Breaker (MLCB) on the generator.
3. Turn the generator OFF.

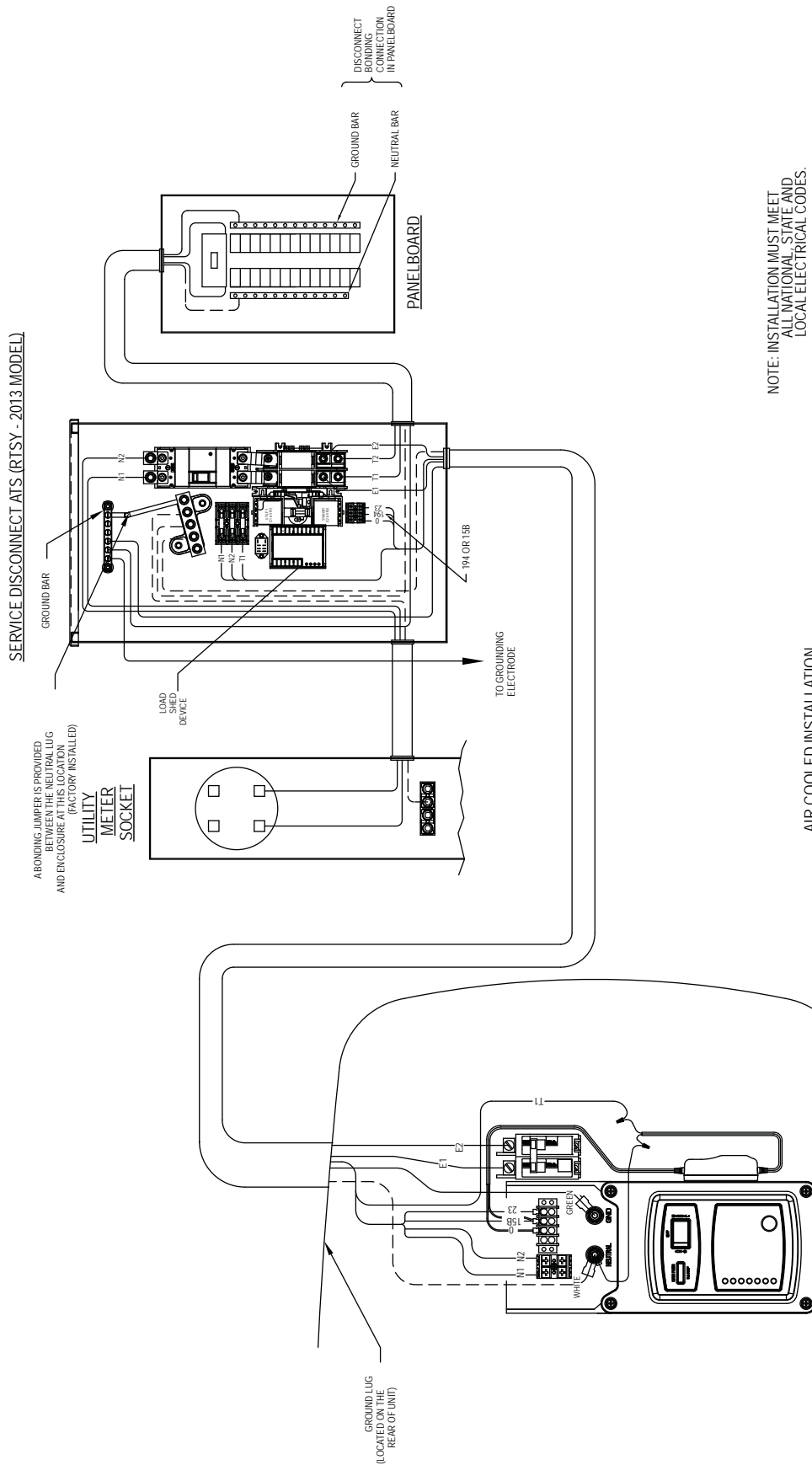
To turn the generator back ON:

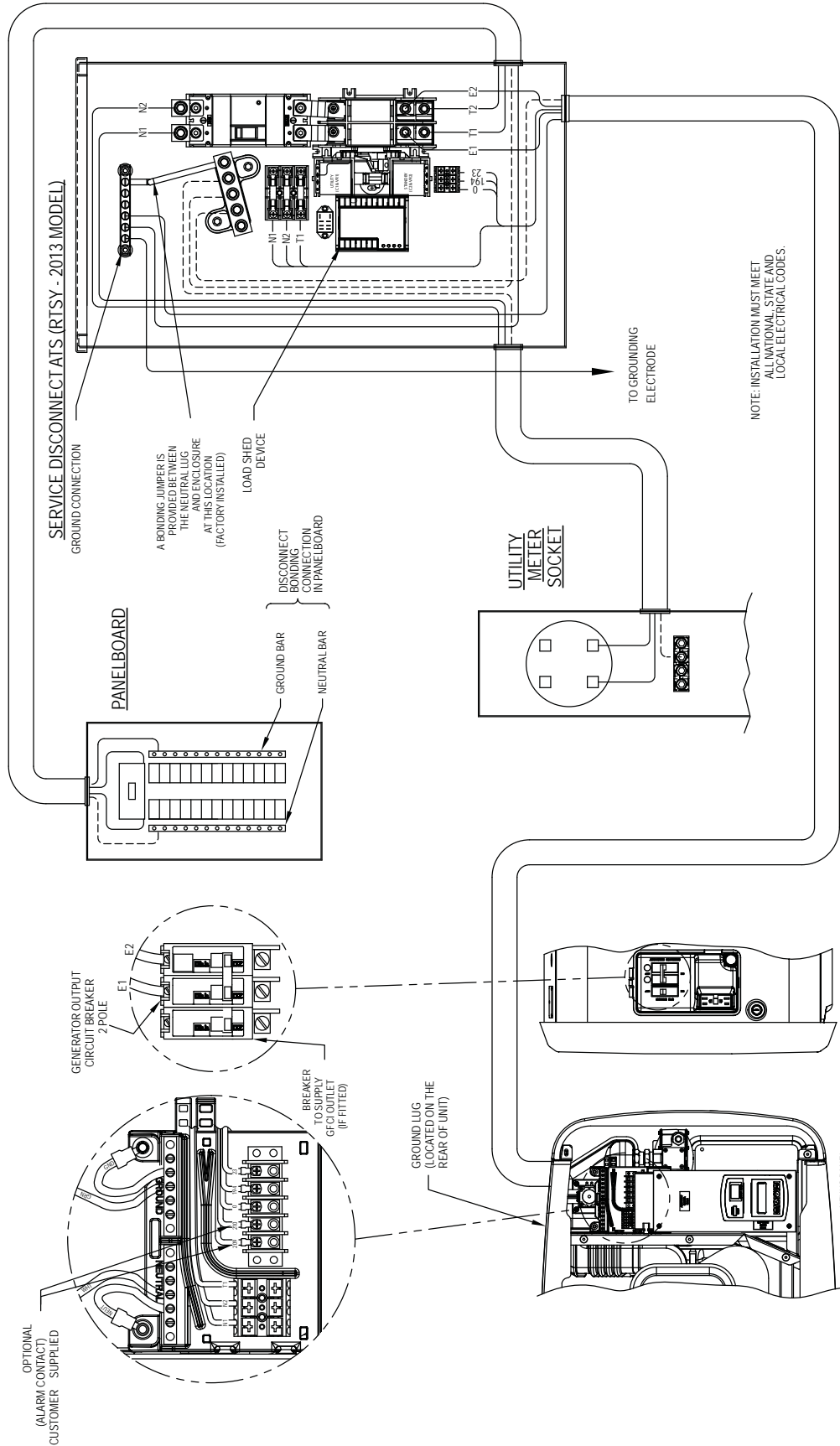
1. Put the generator back into AUTO and allow to start and warm-up for a few minutes.
2. Turn ON (or CLOSE) the MLCB on the generator.

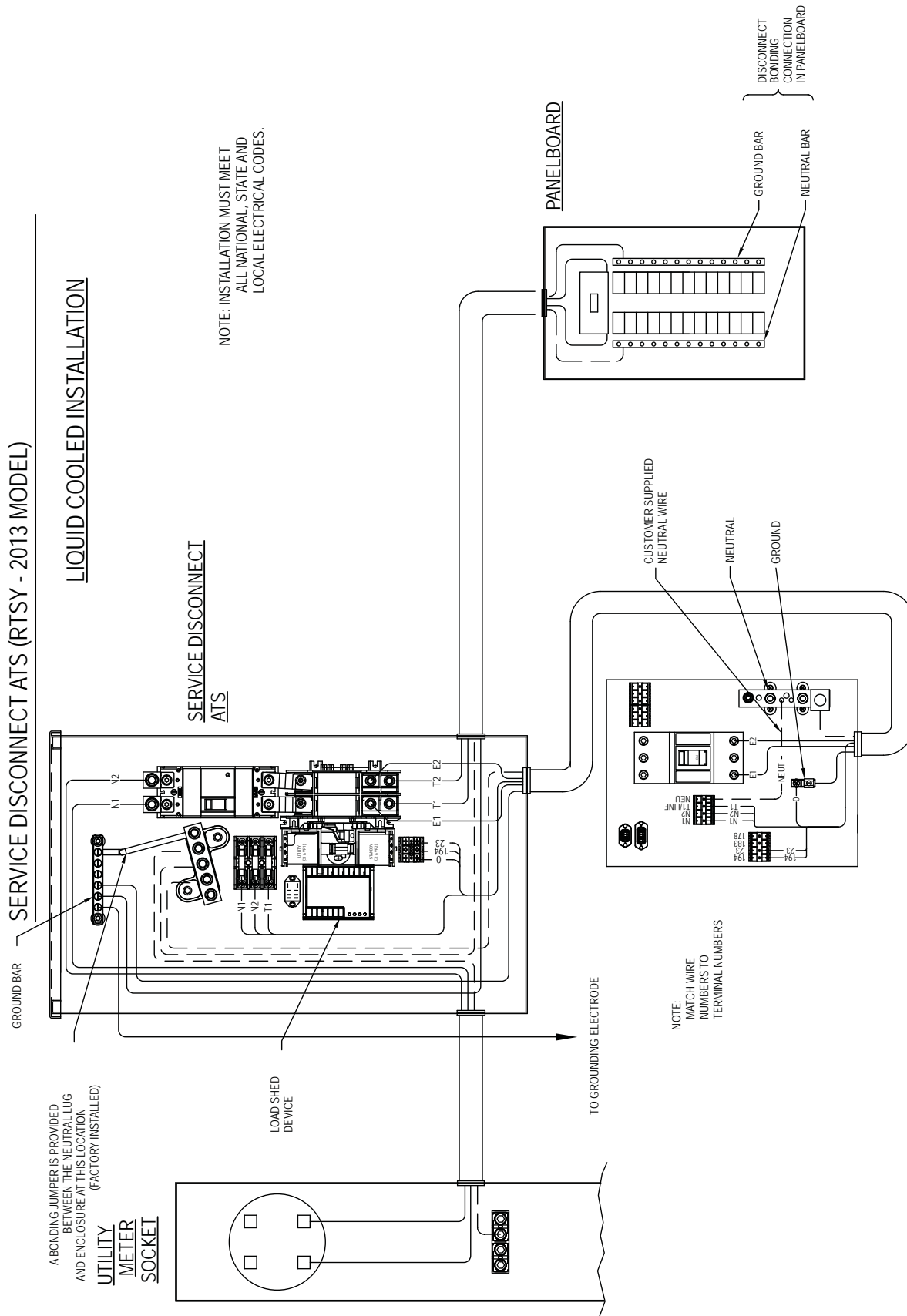
The system will now be operating in its automatic mode. The main utility disconnect can be turned ON (or CLOSED), but to shut the unit off, this complete process must be repeated.

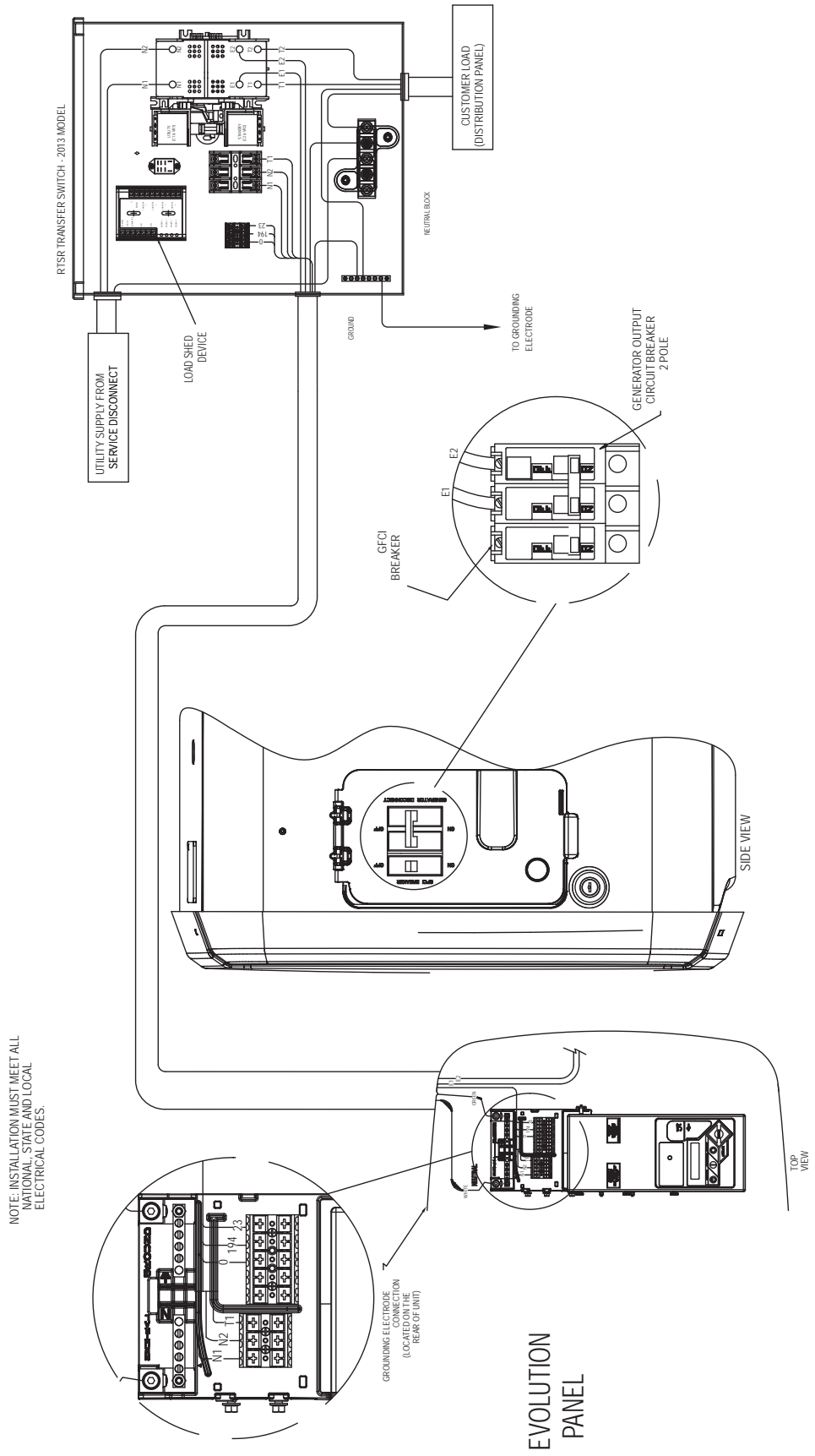


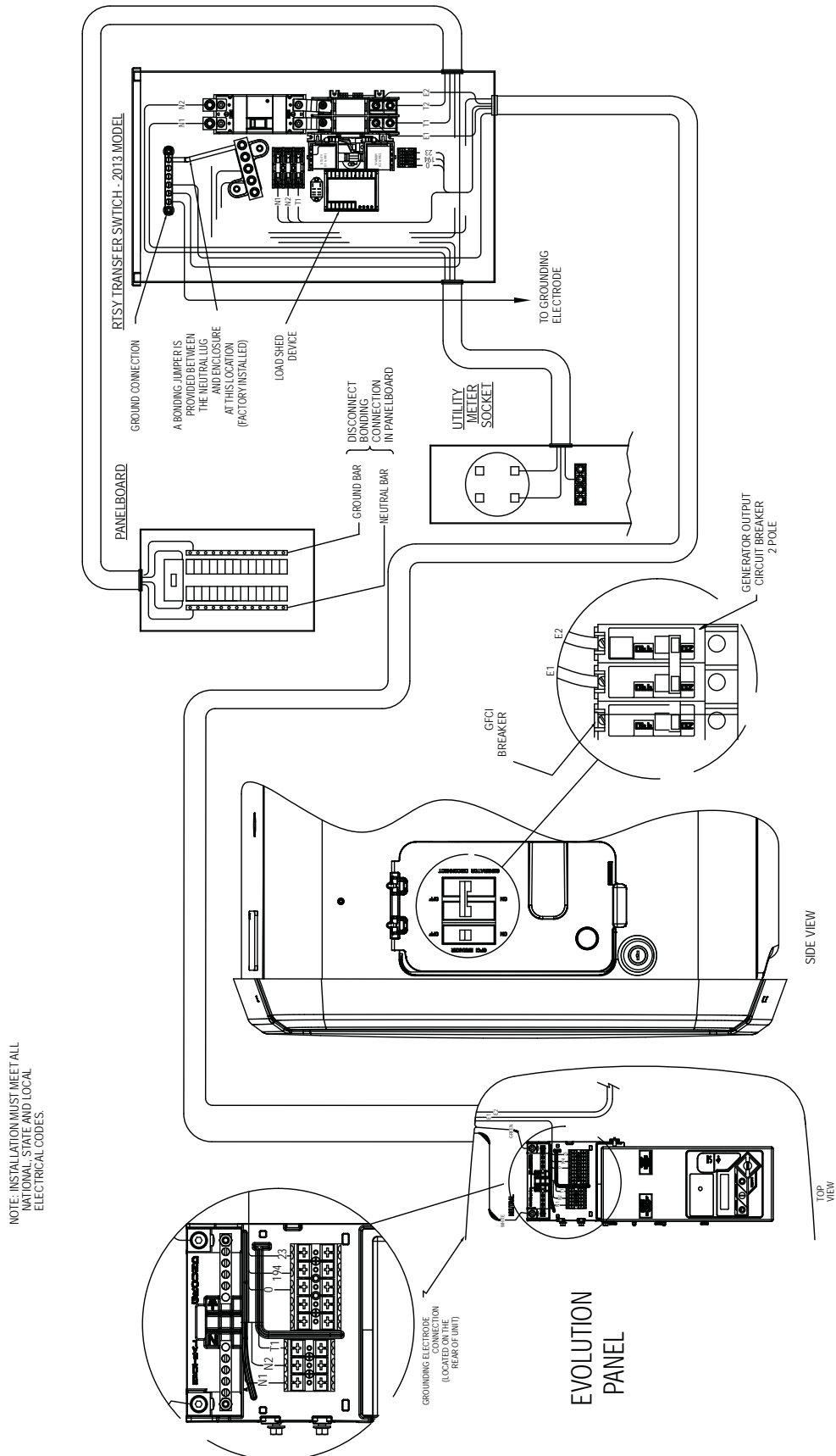






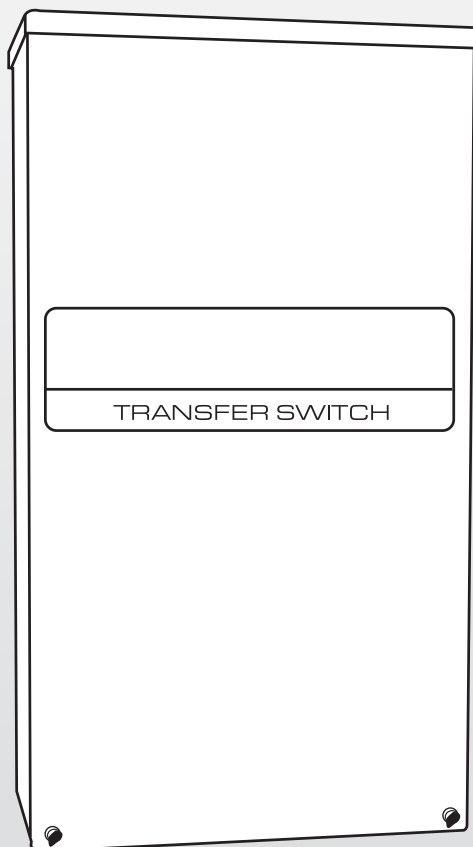






Manual del propietario

Interruptor automático de transferencia (ATS)



⚠ ¡PELIGRO!

- ⚠ NO ESTÁN DESTINADOS AL USO EN APLICACIONES CRÍTICAS DE SOPORTE A LA VIDA HUMANA.**
- ⚠ ESTE PRODUCTO PUEDE SER INSTALADO POR EL PROPIETARIO. SIN EMBARGO, SI ESTÁ INCÓMODO CON LAS HABILIDADES O HERRAMIENTAS REQUERIDAS, HAGA QUE UN ELECTRICISTA O CONTRATISTA CUALIFICADO EFECTÚE LA INSTALACIÓN.**
- ⚠ ¡EMANACIONES DE ESCAPE MORTALES! ¡SOLO PARA INSTALACIÓN EN EXTERIORES!**

CONSULTE EL MANUAL DEL PROPIETARIO
PROVISTO CON EL GENERADOR CUANDO
USE ESTA DOCUMENTACIÓN.

Este manual debe permanecer con la unidad.

Reglas de seguridad	20
Información general	22
1.1 Introducción	22
1.2 Desembalaje.....	22
1.3 Descripción del equipo.....	22
1.4 Etiqueta adhesiva de datos del interruptor de transferencia	23
1.5 Gabinete del interruptor de transferencia.....	23
1.6 Uso seguro del interruptor de transferencia.....	23
Instalación.....	23
2.1 Introducción a la instalación.....	23
2.2 Montaje.....	23
2.3 Conexión de la alimentación y las líneas de carga.....	24
2.4 Conexión de los cables del circuito de arranque.....	24
2.5 Tarjeta de control de prevención de sobrecarga (OPCB).....	24
2.6 Conexión del suministro de alimentación para los contactores.....	26
Funcionamiento.....	27
3.1 Pruebas y ajustes de funcionamiento	27
3.2 Operación manual.....	27
3.3 Comprobaciones de voltaje.....	28
3.4 Pruebas del generador bajo carga.....	29
3.5 Comprobación del funcionamiento automático.....	29
3.6 Prueba de la tarjeta de control de prevención de sobrecarga (OPCB)	29
3.7 Resumen de la instalación	29

! **¡GUARDE ESTAS INSTRUCCIONES!** Lea la siguiente información cuidadosamente antes de intentar instalar, operar o dar servicio a este equipo. También lea las instrucciones y la información de las etiquetas, etiquetas adhesivas, y rótulos que pueden estar fijadas en el interruptor de transferencia. Sustituya cualquier etiqueta adhesiva o rótulo no sea más legible.

! **¡PELIGRO!** La conexión de un generador a un sistema eléctrico normalmente alimentado con el servicio público debe ser realizada mediante equipamiento de transferencia adecuado para aislar al sistema eléctrico del sistema de distribución de servicio público cuando el generador está funcionando (Artículo 701 Sistemas de reserva requeridos legalmente o artículo 702 Sistemas de reserva opcionales, según corresponda). No aislar el sistema eléctrico mediante estos medios puede ocasionar daños al generador y también puede provocar lesiones o la muerte a los trabajadores del servicio público de electricidad debido a la realimentación de energía eléctrica.

El fabricante no puede prever todas las circunstancias posibles que podrían involucrar un peligro. Las advertencias de este manual y los rótulos y etiquetas adhesivas fijadas en la unidad, por lo tanto, no son exhaustivas. Si usa un procedimiento, método de trabajo o técnica de funcionamiento que el fabricante no recomienda específicamente, asegúrese de que sea seguro para otras personas. Asegúrese también de que el procedimiento, método de trabajo o técnica de funcionamiento elegido no vuelvan inseguro al interruptor de transferencia.

¡ADVERTENCIA!

Proposición 65 de California

El escape del motor y algunos de sus componentes son conocidos por el estado de California como causantes de cáncer, defectos congénitos y otros daños reproductivos.

¡ADVERTENCIA!

Proposición 65 de California

Este producto contiene o emite sustancias químicas que son conocidas por el Estado de California como causa de cáncer, defectos congénitos y otros daños reproductivos.

En toda esta publicación, en los rótulos y en las etiquetas adhesivas fijadas en el generador, los bloques de PELIGRO, ADVERTENCIA, PRECAUCIÓN y NOTA se usan para alertar al personal sobre instrucciones especiales acerca de una operación en particular que puede ser peligrosa si se efectúa de manera incorrecta o imprudente. Obsérvelos cuidadosamente. Sus definiciones son las siguientes:

⚠ ¡PELIGRO!

Luego de este encabezado, lea las instrucciones que, si no se cumplen estrictamente, resultarán en lesiones graves, incluso la muerte.

⚠ ¡ADVERTENCIA!

Luego de este encabezado, lea las instrucciones que, si no se cumplen estrictamente, pueden resultar en lesiones graves, incluso la muerte.

⚠ ¡PRECAUCIÓN!

Luego de este encabezado, lea las instrucciones que, si no se cumplen estrictamente, podrían resultar en lesiones menores o moderadas.

NOTA:

Luego de este encabezado, lea las instrucciones que, si no se cumplen estrictamente, pueden resultar en daños al equipo y/o a la propiedad.

Estas advertencias de seguridad no pueden eliminar los peligros que indican. El sentido común y el cumplimiento estricto de las instrucciones especiales mientras se desarrolla el servicio son esenciales para la prevención de accidentes.

Cuatro símbolos de seguridad de uso común acompañan a los bloques de PELIGRO, ADVERTENCIA y PRECAUCIÓN. Cada uno indica el siguiente tipo de información:

⚠ Este símbolo señala información de seguridad importante que, si no se respeta, podría poner en peligro la seguridad personal y/o material.

💣 Este símbolo señala un posible peligro de explosión.

🔥 Este símbolo señala un posible peligro de incendio.

⚡ Este símbolo señala un posible peligro de choque eléctrico.

PELIGROS GENERALES

- Cualquier generador de CA que se use para alimentación de respaldo si ocurre un fallo de la fuente de alimentación NORMAL (SERVICIO PÚBLICO), debe ser aislado de la fuente de alimentación NORMAL (SERVICIO PÚBLICO) mediante un interruptor de transferencia aprobado. No aislar apropiadamente las fuentes de alimentación NORMAL y de RESERVA entre sí puede ocasionar lesiones o la muerte a los trabajadores de la red eléctrica debido a la realimentación de energía eléctrica.
- La instalación, operación, servicio o reparación incorrectos o no autorizados son extremadamente peligrosos y pueden ocasionar la muerte, lesiones graves, o daño al equipo y/o a la propiedad personal.

- En el interruptor de transferencia instalado existen voltajes de alimentación extremadamente altos y peligrosos. Cualquier contacto con terminales, contactos o cables de alto voltaje resultará en choque eléctrico extremadamente peligroso y posiblemente MORTAL. **NO TRABAJE EN EL INTERRUPTOR DE TRANSFERENCIA HASTA QUE TODOS LAS SUMINISTROS DE ALIMENTACIÓN AL INTERRUPTOR HAYAN SIDO EFECTIVAMENTE COLOCADOS EN OFF.**
- La instalación, operación y servicio de este equipo deben ser realizados por personal competente y calificado. Observe estrictamente los códigos eléctrico y de construcción locales, estatales y nacionales. Al usar este equipo, cumpla con la reglamentación del Código Eléctrico Nacional de EE. UU. (NEC) y la norma CSA; C22.1 El Código Eléctrico Canadiense y la Administración de Seguridad y Salud Ocupacional (OSHA) han establecido:
- Nunca maneje ningún tipo de dispositivo eléctrico mientras esté parado sobre agua, esté descalzo o cuando tenga las manos o los pies mojados. **PUEDA PRODUCIRSE UN CHOQUE ELÉCTRICO PELIGROSO.**
- Quítese todas las alhajas (como anillos, relojes, brazaletes, etc.) antes de trabajar en este equipo.
- Si se debe realizar trabajo en este equipo mientras esté parado sobre metal o concreto, coloque alfombras aislantes sobre una plataforma de madera seca. Trabaje en este equipo solo mientras esté parado sobre esas alfombras aislantes.
- Nunca trabaje en este equipo mientras esté fatigado física o mentalmente.
- Mantenga la puerta del gabinete del interruptor de transferencia cerrada y empernada en todo momento. Solo debe permitirse el acceso al interior del interruptor a personal calificado.
- En caso de un accidente causado por choque eléctrico, apague de inmediato la fuente de alimentación eléctrica. Si esto no es posible, intente liberar a la víctima del conductor alimentado pero **EVITE EL CONTACTO DIRECTO CON LA VÍCTIMA.** Use un implemento no conductor, como una cuerda o tabla seca, para liberar a la víctima del conductor alimentado. Si la víctima está inconsciente, aplique primeros auxilios y obtenga ayuda médica de inmediato.
- Al instalar un interruptor de transferencia automático en un conjunto de generador de reserva, el motor del generador puede efectuar giro de arranque y arrancar en cualquier momento sin aviso. Para evitar posibles lesiones que puedan ser causadas por tales arranques, el sistema de arranque automático del sistema debe ser deshabilitado antes de trabajar en o alrededor del generador o interruptor de transferencia. Luego coloque el rótulo "NO ACCIONAR" en el interruptor de transferencia y en el generador. Retire el cable negativo (Neg) o (-) de la batería.

Para servicio autorizado, consulte con el número de ubicación de concesionarios que se encuentra dentro del manual del propietario del generador.

1.1 INTRODUCCIÓN

Este manual ha sido preparado especialmente con el propósito de familiarizar al personal con el diseño, aplicación, instalación, operación y servicio del equipo que aplique. Lea el manual cuidadosamente para cumplir con todas las instrucciones. Esto ayudará a evitar accidentes o daños al equipamiento que pueden de otra forma ser causados por falta de atención, aplicación incorrecta, o procedimientos incorrectos.

Se han hecho todos los esfuerzos posibles para asegurar que los contenidos de este manual sean precisos y estén actualizados. Sin embargo, el fabricante se reserva el derecho de cambiar, alterar o de alguna otra manera mejorar el producto o el manual en cualquier momento sin aviso previo.

1.2 DESEMBALAJE

Desembale cuidadosamente el interruptor de transferencia. Inspeccione de cerca en busca de cualquier daño que pueda haber ocurrido durante el envío. El comprador debe informar por escrito al transportista cualquier reclamo por pérdidas o daños ocurridos durante el tránsito.

Compruebe que todo el material de embalaje sea retirado completamente del interruptor previo a la instalación.

1.3 DESCRIPCIÓN DEL EQUIPO

El interruptor de transferencia automático se usa para transferir cargas eléctricas de una fuente de alimentación del SERVICIO PÚBLICO (NORMAL) a un GENERADOR (RESERVA). Dicha transferencia de cargas eléctricas se produce automáticamente cuando la fuente del SERVICIO PÚBLICO ha fallado o se ha reducido sustancialmente y el voltaje y la frecuencia de la fuente de GENERADOR han alcanzado un nivel aceptable. El interruptor de transferencia impide la realimentación eléctrica entre dos fuentes de alimentación diferentes (como las fuentes de SERVICIO PÚBLICO y de GENERADOR) y, por ese motivo, los códigos lo requieren en todas las instalaciones de los sistemas eléctricos de reserva.

El interruptor de transferencia consta de un mecanismo de transferencia, un disyuntor de DESCONEXIÓN DEL SERVICIO PÚBLICO, un relé de control, fusibles, una regleta de terminales y un portafusibles para la conexión de los cables de detección.

Este interruptor de transferencia es adecuado para el uso como equipo de servicio.

1.3.1 MECANISMO DEL INTERRUPTOR DE TRANSFERENCIA

Estos interruptores (Figura 1.1) se usan con un sistema monofásico, donde la línea NEUTRA monofásica será conectada a un terminal neutro y no se conectará al interruptor.

Los terminales sin soldadura, de rosca son estándar.

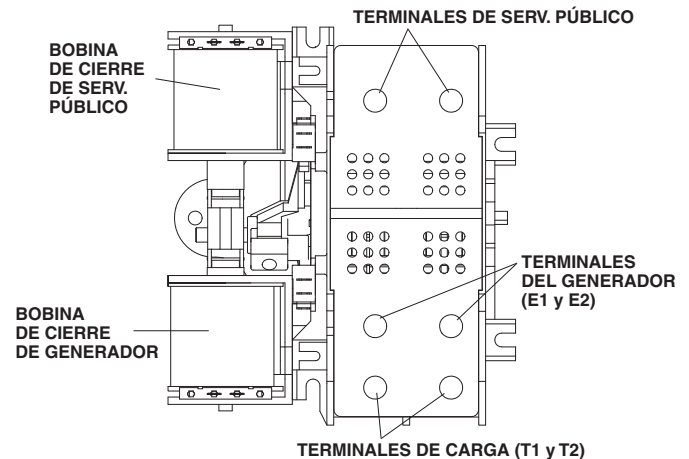
Interruptor	CABLE	Apriete de los conductores
Valor nominal:	Intervalo	Par de apriete
100 A	Núm. 14-1/0 AWG	50 in-lb
200 A	Núm. 6-250 MCM	275 in-lb

Este interruptor de transferencia es adecuado para controlar motores, lámparas de descarga eléctrica, equipos de filamento de tungsteno y de calefacción eléctrica en los que la suma de los amperajes nominales de los motores a plena carga y los amperajes de las restantes cargas no exceden el amperaje del interruptor y la carga de tungsteno no excede el 30 % de la capacidad nominal del interruptor.

Este interruptor de transferencia listado por UL está destinado al uso en sistemas de reserva opcionales únicamente (artículo 702 del Código Eléctrico Nacional de EE. UU.- NEC).

Este interruptor de transferencia es adecuado para el uso en un circuito con una capacidad de 22 000 (200 A) y 10 000 (100 A) amperios simétricos (valor eficaz), con 240 VCA como máximo.

Figura 1.1 - Mecanismo de transferencia ATS típico



1.3.2 DISYUNTOR DE DESCONEXIÓN DEL SERVICIO PÚBLICO

Los disyuntores de desconexión del servicio público y el generador para los modelos de 100 A son:

- Tipo BQ, bipolar
- 120/240 VCA, 100 A
- 50/60 Hz
- Calificado para Calefacción, aire acondicionado y refrigeración (HACR)
- Intervalo del cable: Núm. 1 a 8 AWG.
- El par de apriete del conductor es 50 in-lb.

El disyuntor del servicio público para los modelos de 150/200 A es:

- Tipo 225AF, bipolar
- 120/240 VCA, 150/200 A
- 50/60 Hz
- Intervalo del cable: 300 MCM - 6 STR (Línea), 250 MCM - 6 STR (Carga - ATS)
- El par de apriete del conductor es 375 in-lb. (Línea), 275 in-lb (Carga - ATS)

1.3.3 TARJETA DE CONTROL DE PREVENCIÓN DE SOBRECARGA (OPCB)

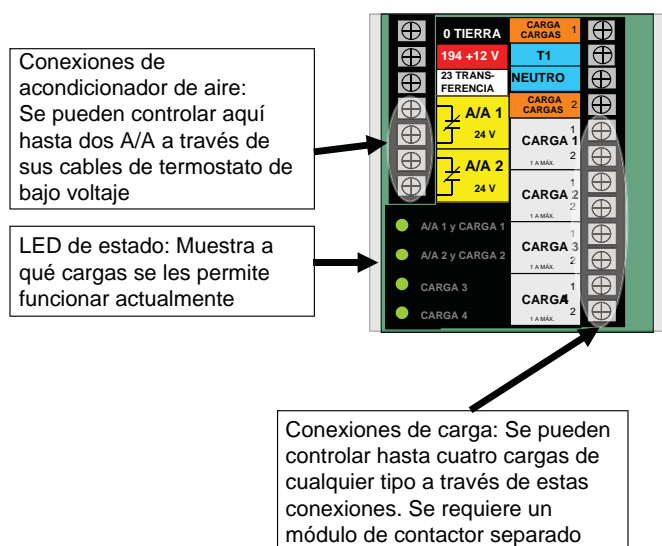
La tarjeta de control de prevención de sobrecarga está diseñada para impedir una sobrecarga del generador cuando está alimentando las cargas del cliente (vea la Figura 1.2). La tarjeta OPCB puede gestionar hasta seis cargas: 2 cargas de acondicionador de aire y otras 4 cargas. La tarjeta OPCB gestiona las cargas "rechazando" las cargas conectas en el caso de que se produzca una caída en la frecuencia del generador (sobrecarga). Las cargas que se "rechazarán" se agrupan en cuatro niveles de prioridad en la tarjeta OPCB.

- Las prioridades 1 y 2 tienen conexiones para un acondicionador de aire y un contactor. Se puede usar un acondicionador de aire y un contactor al mismo tiempo si se desea. Para controlar un acondicionador de aire, no se requieren otros equipos. Los relés internos interrumpen la señal de control de 24 VCA del termostato para deshabilitar la carga del acondicionador de aire.

- Las prioridades 3 y 4 tienen conexiones solamente para un contactor.
- Cuatro LED, situados en la tarjeta de control de prevención de sobrecarga, indicarán cuando se habilita un nivel de prioridad de carga. Cuando las cargas están conectadas, los LED estarán encendidos.
- Todas las cargas, incluidos los acondicionadores de aire centrales, se pueden controlar por medio de un contactor que se debe comprar por separado. La tarjeta de control de prevención de sobrecarga puede controlar hasta cuatro contactores (se suministran 24 VCA o 120 VCA a través de la tarjeta OPCB para energizar la bobina de cada contactor).
- La condición de sobrecarga del generador se determina conforme a la frecuencia del generador. Las cargas se interrumpen cuando la frecuencia sea menor que 58 Hz durante 3 segundos o menor que 50 Hz durante medio segundo (para 60 Hz).

La tarjeta OPCB tiene un botón de prueba (Test) que fuerza a la unidad a actuar como si se hubiera producido una sobrecarga. Este botón funciona aún cuando la señal de transferencia esté inactiva.

Figura 1.2 - Tarjeta de control de prevención de sobrecarga



1.4 ETIQUETA ADHESIVA DE DATOS DEL INTERRUPTOR DE TRANSFERENCIA

Una ETIQUETA ADHESIVA DE DATOS se encuentra permanente adherida al gabinete del interruptor. Use este interruptor de transferencia solo con los límites específicos mostrados en la ETIQUETA ADHESIVA DE DATOS y en otras etiquetas y etiquetas adhesivas que puedan estar fijadas en el interruptor. Esto evitará daños al equipo y a la propiedad.

Al solicitar información o pedir piezas para este equipo, asegúrese de incluir toda la información de la ETIQUETA ADHESIVA DE DATOS.

Registre los números de modelo y de serie en el espacio provisto debajo para consultas futuras.

NÚM. MODELO	
NÚM. SERIE	

1.5 GABINETE DEL INTERRUPTOR DE TRANSFERENCIA

El gabinete estándar del interruptor de transferencia es del tipo UL 3R de la Asociación Nacional de Manufacturas Eléctricas (NEMA) de EE. UU. Los gabinetes tipo UL y NEMA 3R (calificados para interiores/exteriores) proveen principalmente cierto grado de protección contra lluvia y nevisca; no se daña por la formación de hielo en el gabinete.

1.6 USO SEGURO DEL INTERRUPTOR DE TRANSFERENCIA

Antes de instalar, operar o dar servicio a este equipo, lea las REGLAS DE SEGURIDAD (dentro de la cubierta delantera) cuidadosamente. Cumpla estrictamente con todas las REGLAS DE SEGURIDAD para evitar accidentes y/o daños al equipo. El fabricante recomienda que se fije una copia de las REGLAS DE SEGURIDAD cerca del interruptor de transferencia. También, asegúrese de leer todas las instrucciones e información que se encuentra en los rótulos, etiquetas y etiquetas adhesivas adheridos al equipo.

Las siguientes son tres publicaciones que indican el uso seguro de los interruptores de transferencia:

- NFPA 70; Código Eléctrico Nacional de EE. UU.
- NFPA 70E; Standard for Electrical Safety in the Workplace (Norma para la seguridad eléctrica en el lugar de trabajo)
- UL 1008, NORMA PARA INTERRUPTORES DE TRANSFERENCIA DE SEGURIDAD-AUTOMÁTICOS

NOTA:

Es esencial usar la última versión de cualquier norma para asegurar tener información correcta y actualizada.

2.1 INTRODUCCIÓN A LA INSTALACIÓN

Este equipo ha sido cableado y probado en la fábrica. La instalación del interruptor incluye los siguientes procedimientos:

- Montaje del gabinete.
- Conexión de los conductores de la fuente de alimentación y los conductores de carga.
- Conexión de los circuitos de detección y del relé de transferencia.
- Conexión de cualquier contacto auxiliar (de ser necesario)
- Conexión de las cargas de la tarjeta de control de prevención de sobrecarga (según se requiera)
- Prueba de las funciones.

2.2 MONTAJE

Las dimensiones de montaje para el gabinete del interruptor de transferencia están en este manual. Los gabinetes normalmente se montan en la pared. Vea el "Diagrama de instalación".

⚠ ¡PRECAUCIÓN!

⚠ Manipule los interruptores de transferencia cuidadosamente al instalarlos. No deje caer el interruptor. Proteja el interruptor contra los impactos en todo momento, y contra partículas de construcción o virutas de metal. Nunca instale un interruptor de transferencia que haya sido dañado.

Este interruptor de transferencia está montado en un gabinete tipo 3R listado por UL. Se puede montar en exteriores o en interiores, y se debe instalar según la disposición de las instalaciones, la conveniencia y la proximidad al suministro del servicio público y el centro de cargas.

Instale el interruptor de transferencia tan cerca como sea posible de las cargas eléctricas que se conectarán a él. Monte el interruptor verticalmente en una estructura de soporte rígida. Para evitar distorsión del interruptor, nivele todos los puntos de montaje. Si es necesario, use arandelas detrás de los agujeros de montaje para nivelar la unidad.

2.3 CONEXIÓN DE LA FUENTE DE ALIMENTACIÓN Y LAS LÍNEAS DE CARGA

⚠ ¡PELIGRO!

⚠ Asegúrese de colocar en OFF ambas fuentes de alimentación de SERVICIO PÚBLICO (NORMAL) y de GENERADOR (RESERVA) antes de intentar conectar la fuente de alimentación y las líneas de carga al interruptor de transferencia. Los voltajes de alimentación son extremadamente altos y peligrosos. El contacto con dichas líneas de alimentación de alto voltaje causa choques eléctricos extremadamente peligrosos y posiblemente mortales.

Se proveen diagramas de cableado y diagramas esquemáticos eléctricos en este manual.

NOTA:

Todas las instalaciones deben cumplir los códigos nacionales, estatales y locales. Es responsabilidad del instalador efectuar una instalación que apruebe la inspección eléctrica final.

La conexión con el suministro del servicio público se realiza en los terminales del disyuntor de DESCONEXIÓN DEL SERVICIO PÚBLICO. Las conexiones de las cargas del generador y del cliente se hacen en el mecanismo del interruptor de transferencia, dentro del gabinete del interruptor.

Los calibres de los conductores deben ser adecuados para conducir la corriente máxima a la que serán sometidos, basándose en la columna de 75 °C de las tablas, cuadros, etc. usados para dimensionar los conductores. La instalación debe cumplir estrictamente todos los códigos, normas y reglamentos aplicables.

Todos los cables de alimentación deben ingresar en el gabinete a través de los tapones desprendibles provistos. Si no se utilizan los tapones desprendibles, la entrada de los conductos en el gabinete debe estar a la altura de estas o debajo de estas para mantener la calificación Tipo 3R. Los conductos se deben disponer de manera que haya una separación entre los conductores de suministro del servicio público y del generador dentro del gabinete.

Antes de conectar cables del cableado a los terminales, quite todo óxido superficial de los extremos del cable con un cepillo de alambre. Si se usan conductores de ALUMINIO, aplique inhibidor de corrosión a los conductores. Apriete los terminales con los valores de par de apriete como se indica en "Disyuntor de desconexión del servicio público" y en la etiqueta adhesiva ubicada en el interior de la puerta. Luego de ajustar los terminales, limpie cuidadosamente cualquier excedente de inhibidor de corrosión.

⚠ ¡PRECAUCIÓN!

⚠ Use una llave dinamométrica para ajustar los conductores, asegurándose de no sobreapretar, o puede producirse daño a la base del interruptor. Si no se aprietan lo suficiente, la conexión estará muy floja, causando calor en exceso que podría dañar la base del interruptor.

Conecte los conductores de carga de la fuente de alimentación a los terminales marcados del mecanismo de transferencia como sigue

1. Conecte los cables de la fuente de alimentación del SERVICIO PÚBLICO (NORMAL) al disyuntor de DESCONEXIÓN DEL SERVICIO PÚBLICO.
2. Conecte los cables de la fuente de alimentación de GENERADOR (RESERVA) en los terminales E1, E2 del interruptor.
3. Conecte los conductores de CARGA del cliente en los terminales T1, T2 del interruptor.

Los conductores deben estar correctamente apoyados, deben tener propiedades de aislamiento aprobadas, deben estar protegidos por un conducto aprobado y deben ser del calibre de acuerdo a los códigos correspondientes.

Asegúrese de mantener una separación eléctrica correcta entre las partes de metal vivas y el metal conectado a tierra. Permita al menos 1/2 in para circuitos de 100-400 A.

2.4 CONEXIÓN DE LOS CABLES DEL CIRCUITO DE ARRANQUE

Las interconexiones del sistema de control (sección de datos eléctricos) comprenden: SERVICIO PÚBLICO 1 (N1), SERVICIO PÚBLICO 2 (N2) y CARGA (T1), y los conductores 23, 0 y 194. Los calibres de cable recomendados dependen de la longitud del cable, como se recomienda en el cuadro siguiente:

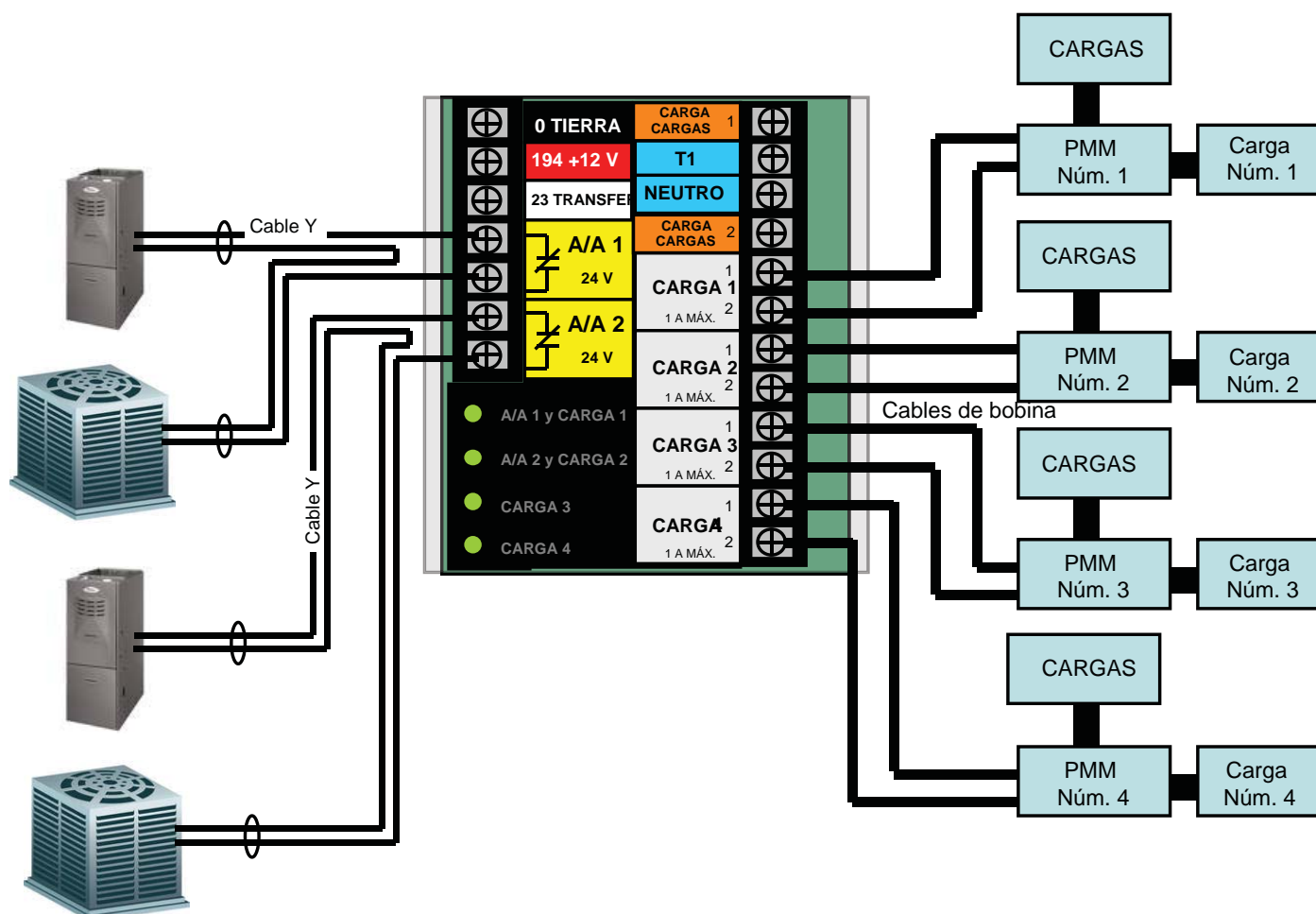
LONGITUD MÁXIMA DEL CABLE	TAMAÑO RECOMENDADO DE CABLE
1 a 115 ft (1-35m)	AWG Núm. 18
116 a 185 ft (36-56 m)	Núm. 16 AWG.
186 a 295 ft (57-89 m)	Núm. 14 AWG.
296 a 460 ft (90-140 m)	Núm. 12 AWG.

2.5 TARJETA DE CONTROL DE PREVENCIÓN DE SOBRECARGA (OPCB)

La tarjeta de control de prevención de sobrecarga puede controlar un acondicionador de aire (24 VCA) directamente o un contactor separado (bobina de accionamiento de 24 VCA o 120 VCA) que puede controlar cualquier carga conectada a este. Vea la Figura 2.1.

No se suministra el módulo de gestión de alimentación (PMM) con el interruptor de transferencia. Este se puede comprar por separado al fabricante. El módulo PMM se usa con la tarjeta de control de prevención de sobrecarga (OPCB) montada en el interruptor de transferencia. La tarjeta OPCB está diseñada y se conecta para alimentar la bobina energizada del contactor del PMM. La OPCB se suministra con un transformador de suministro de alimentación Clase 2, de 24 VCA, conectado al suministro de CARGA en el RTS. (Cada salida está limitada a 1 A). Las conexiones de la bobina del contactor del PMM se hacen en la regleta de terminales de la tarjeta OPCB.

Figura 2.1 - Control de prevención de sobrecarga



Conecte la bobina del contactor del módulo PMM en los terminales del contactor de la tarjeta OPCB (1, 2, 3 o 4). La selección del terminal de contactor utilizado dependerá de la prioridad de la carga que se controla. Este es un circuito de 24 VCA y se deben usar los métodos de cableado para la Clase 2. Use terminales de conexión rápida de 1/4 in para hacer las conexiones de la bobina del contactor en el módulo PMM. Vea la Figura 2.1.

Se provee un ojal a través del cual se pasa el cableado Clase 2.

El ojal se puede usar en cualquier perforación de tapón desprendible para las instalaciones NEMA 1. El ojal se puede usar solamente en las perforaciones de tapón desprendible de la parte inferior para las instalaciones NEMA 3R.

Control de la carga del acondicionador de aire

1. Tienda el cable del termostato (de la caldera a la unidad de exteriores del acondicionador de aire) hasta el interruptor de transferencia.
2. Conecte el cable en la regleta de terminales (Aire 1) de la tarjeta OPCB como se muestra en la Figura 2.1. Estos son contactos normalmente cerrados que se abren en condiciones de rechazo de la carga. Tienda el cable del termostato alejado de los cables de alto voltaje.
3. Si es necesario, conecte el segundo acondicionador de aire a la regleta de terminales (Aire 2).

Capacidades nominales de los contactos	
Aire 1 y 2	24 VCA, 5.0 A máx.

NOTA:

Estas instrucciones son para una instalación de acondicionador de aire típica. Para controlar bombas de calor y acondicionadores de aire de dos etapas se requieren conexiones especiales o el uso de módulos de gestión de energía para controlar las cargas.

Control de un contactor separado

Se puede comprar al fabricante un módulo de relé de contactor separado. El modelo se suministra con versiones de bobina de 24 VCA o 120 VCA.

1. Monte el módulo de contactor y conecte la carga a los contactos principales.
2. Conecte la bobina del contactor en los terminales L1-I4 deseados en la regleta de terminales de la tarjeta OPCB.
3. Conecte del mismo modo los contactores del módulo de gestión de alimentación adicional.

NOTA:

Será necesario determinar el orden de "rechazo" de las cargas conectas y conectar las cargas a la tarjeta OPCB en ese orden. Uno es la prioridad más alta y cuatro es la prioridad más baja.

2.5.1 SECUENCIA DE FUNCIONAMIENTO DE LA RESTRICCIÓN DE CARGA

Cuando está configurada para funcionalidad completa, seis cargas están organizadas en cuatro grupos de prioridad. Prioridad 1 (A/A 1) y el contactor de uso general asociado (Carga 1) es la prioridad más alta y normalmente es el primer grupo de carga(s) que se reconecta (excepto en el modo de restricción de carga rápida). Prioridad 4 (Carga 4) es la prioridad más baja y normalmente es la última carga que se vuelve a conectar (excepto en el modo de restricción de carga rápida). Los grupos de prioridad son como sigue:

Grupo de prioridad 1

- A/A 1 y Carga 1

Grupo de prioridad 2

- A/A 2 y Carga 2

Grupo de prioridad 3

- Carga 3

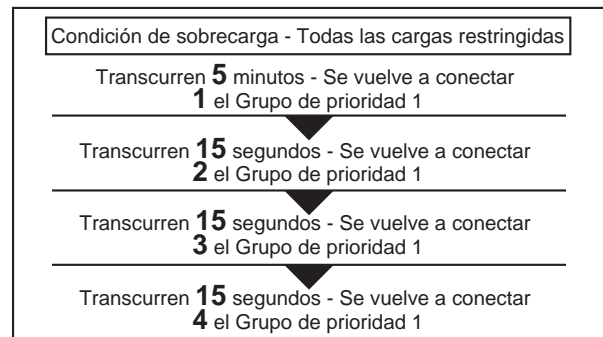
Grupo de prioridad 4

- Carga 4

Dado que los A/A normalmente se consideran los más importantes, están cableados con cable en los dos niveles de prioridad más altos (A/A 1 y A/A 2). Las otras dos cargas que se pueden considerar de importancia equivalente están cableadas en los contactores de uso general asociados (Carga 1 y Carga 2). Las cargas de menor importancia están cableadas en los contactores restantes (Carga 2 y Carga 3).

Si la tarjeta OPCB está funcionando a pleno y administrando seis cargas conectadas, y ocurre un evento que motiva que una carga aumente más allá de la capacidad del generador, la tarjeta OPCB identifica una condición de sobrecarga e instantáneamente restringe todas las cargas. Después de que transcurren cinco minutos, la tarjeta OPCB vuelve a conectar las cargas asociadas con el Grupo de prioridad 1 (A/A 1, Carga 1), y luego vuelve a conectar las cargas restantes con intervalos de quince segundos. Si la tarjeta OPCB ve otra sobrecarga mientras está volviendo a conectar cargas, la carga infractora se restringe y bloquea durante 30 minutos. Se vuelve a conectar la próxima carga de la secuencia. Este proceso continua hasta que todas las cargas hayan tratado de volver a conectarse (Figura 2.2).

Figure 2.2 - Standard Load Shed



2.6 CONEXIÓN DEL SUMINISTRO DE ALIMENTACIÓN PARA LOS CONTACTORES

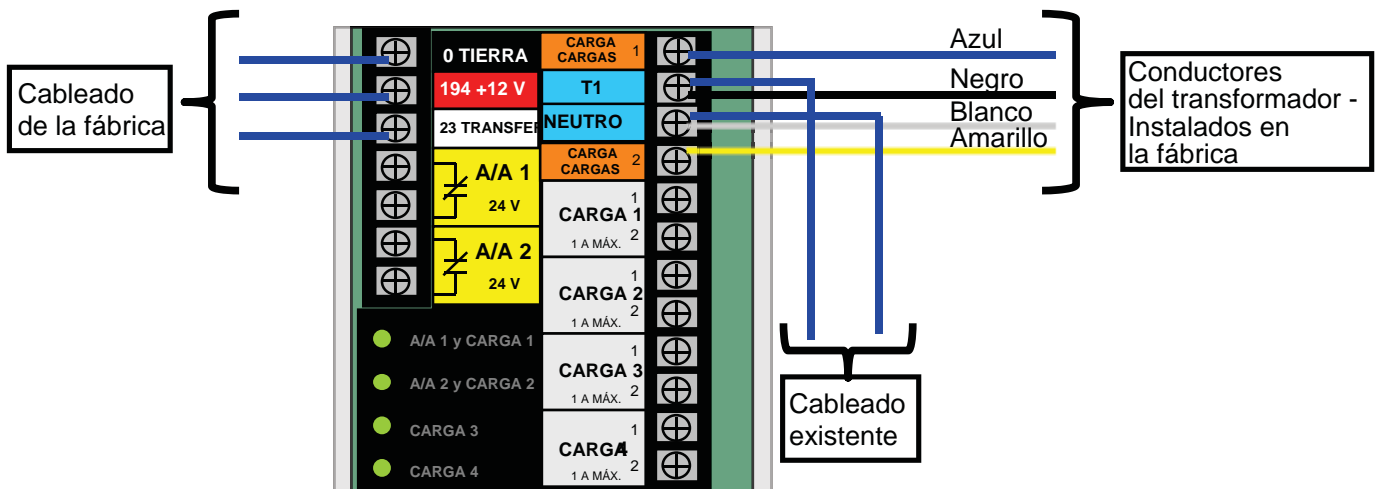
La tarjeta de control de prevención de sobrecarga (OPCB) se puede alimentar con suministro de alimentación de 24 VCA o 120 VCA. El suministro de 24 VCA proviene se un transformador Clase 2 que se puede comprar al fabricante. La subplaca del gabinete cuenta con agujeros de montaje para montar el transformador. El suministro de 120 VCA tiene un fusible de 5 A y se conecta en la fábrica en los terminales de la tarjeta OPCB con las etiquetas "T1" y "Neutral".

2.6.1 SUMINISTRO DE 24 VCA

Las conexiones del transformador se hacen como se muestra en la Figura 2.3.

- Cable azul - Terminal "SUMINISTRO DE CARGA 1" de la OPCB
- Cable negro - Terminal "T1" de la OPCB
- Cable blanco - Terminal "NEUTRO" de la OPCB
- Cable amarillo - Terminal "SUMINISTRO DE CARGA 2" de la OPCB

Figura 2.3 - Conexiones de suministro de 24 VCA



2.6.2 SUMINISTRO DE 120 VCA

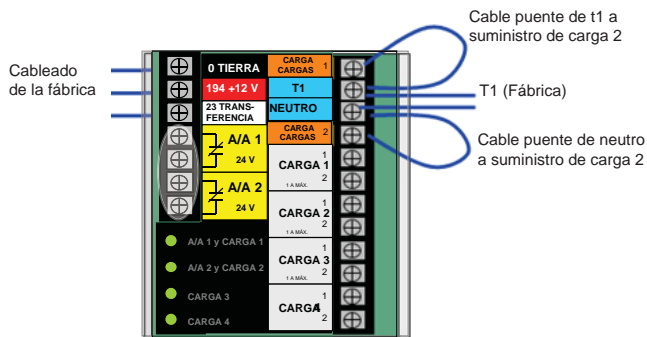
Instale los siguientes cables puente en la tarjeta OPCB (Figura 2.4).

- Suministro de carga 1 a T1
- Suministro de carga 2 a Neutral

⚠ ¡PRECAUCIÓN!

⚠ El voltaje de suministro de carga en los terminales de la tarjeta OPCB debe coincidir con el voltaje de la bobina del contactor del módulo PMM. En caso contrario se dañará el equipo.

Figura 2.4 - Conexiones de suministro de 120 VCA



3.1 PRUEBAS Y AJUSTES DE FUNCIONAMIENTO

Luego de la instalación e interconexión del interruptor de transferencia, inspeccione la instalación completa cuidadosamente. Debe ser inspeccionada por un electricista competente y calificado. La instalación debe cumplir completamente todos los códigos, normas y reglamentos correspondientes. Cuando se encuentre absolutamente seguro de que la instalación es apropiada y correcta, realice las pruebas de funcionamiento del sistema.

⚠ ¡PRECAUCIÓN!

⚠ Efectúe las pruebas de funcionamiento en el orden exacto en que se presentan en este manual o se puede dañar el interruptor.

IMPORTANTE: Antes de continuar con las pruebas de funcionamiento, lea y asegúrese de haber entendido todas las instrucciones e información de esta sección. También lea la información e instrucciones de las etiquetas y etiquetas adhesivas fijadas al interruptor. Tome nota de todas las opciones o accesorios que pudieran ser instalados y revise su funcionamiento.

3.2 OPERACIÓN MANUAL

⚠ ¡PELIGRO!

⚠ NO transfiera manualmente bajo carga. Desconecte el interruptor de transferencia de todas las fuentes de alimentación mediante medios aprobados, como un disyuntor principal.

Junto con el interruptor de transferencia se envía una MANIJA manual. La operación manual debe ser comprobada ANTES de que el interruptor de transferencia sea accionado eléctricamente. Para comprobar la operación manual, proceda como sigue:

1. Coloque el generador en modo OFF.
2. Coloque en OFF las fuentes de alimentación tanto del SERVICIO PÚBLICO (disyuntor de desconexión del servicio público) como del GENERADOR (disyuntor de línea principal del generador) al interruptor de transferencia.
3. Tome nota de la posición de los contactos principales del mecanismo de transferencia observando el brazo soporte del contacto móvil. Esto puede observarse a través de la ranura larga y angosta de la cubierta interior del ATS. La parte superior del brazo soporte del contacto móvil es amarilla para que pueda identificarse fácilmente.
 - Manija de operación manual en la posición hacia ARRIBA - Los terminales de CARGA (T1, T2) están conectados en los terminales de SERVICIO PÚBLICO (N1, N2).
 - Manija de operación manual en la posición hacia ABAJO - Los terminales de CARGA (T1, T2) están conectados en los terminales de EMERGENCIA (E1, E2).

⚠ ¡PRECAUCIÓN!

⚠ No utilice fuerza excesiva al operar el interruptor de transferencia manualmente o se pueden ocasionar daños a la manija manual.

3.2.1 CIERRE DEL LADO DE LA FUENTE DE SERVICIO PÚBLICO

Antes de continuar, verifique la posición del interruptor observando la posición de la manija de operación manual en la Figura 3.1. Si la manija está hacia ARRIBA, los contactos están cerrados en la posición NORMAL (SERVICIO PÚBLICO), no se requiere ninguna acción adicional. Si la manija está hacia ABAJO, siga con el Paso 1.

Paso 1: Con la manija insertada en el brazo soporte del contacto móvil, mueva la manija hacia ARRIBA. Asegúrese de sostener firmemente la manija, dado que se moverá rápidamente después de la mitad del recorrido.

Paso 2: Retire la manija de operación manual del brazo soporte del contacto móvil. Vuelva a colocar la manija en el soporte de almacenamiento.

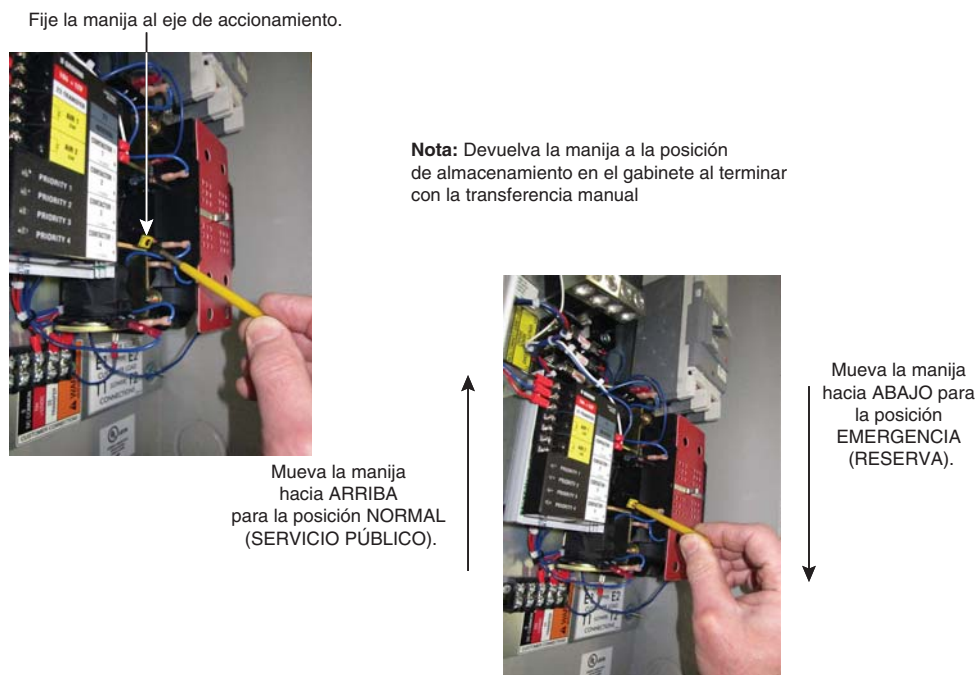
3.2.2 CIERRE DEL LADO DE FUENTE DE GENERADOR

Antes de continuar, verifique la posición del interruptor observando la posición de la manija de operación manual en la Figura 3.1. Si la manija está hacia ABAJO, los contactos están cerrados en la posición de GENERADOR (RESERVA). No se requiere ninguna acción adicional. Si la manija está hacia ARRIBA, siga con el Paso 1.

Paso 1: Con la manija insertada en el brazo soporte del contacto móvil, mueva la manija hacia ABAJO. Asegúrese de sostener firmemente la manija, dado que se moverá rápidamente después de la mitad del recorrido.

Paso 2: Retire la manija de operación manual del brazo soporte del contacto móvil. Vuelva a colocar la manija en el soporte de almacenamiento.

Figura 3.1 - Accionamiento del interruptor de transferencia



Nota: Devuelva la manija a la posición de almacenamiento en el gabinete al terminar con la transferencia manual

3.2.3 REGRESO AL LADO DE FUENTE DE SERVICIO PÚBLICO

Paso 1: Accione manualmente el interruptor para volver a poner la manija de operación manual en posición hacia ARRIBA.

Paso 2: Retire la manija de operación manual del brazo soporte del contacto móvil. Vuelva a colocar la manija en el soporte de almacenamiento.

3.3 COMPROBACIONES DE VOLTAJE

1. Coloque en ON el suministro de alimentación de SERVICIO PÚBLICO al interruptor de transferencia usando el DISYUNTOR DE DESCONEXIÓN de SERVICIO PÚBLICO.

⚠ ¡PELIGRO!

⚠ PROCEDA CON PRECAUCIÓN. EL INTERRUPTOR DE TRANSFERENCIA ESTÁ AHORA ELÉCTRICAMENTE VIVO. EL CONTACTO CON TERMINALES VIVOS RESULTA EN CHOQUES ELÉCTRICOS EXTREMADAMENTE PELIGROSOS Y POSIBLEMENTE MORTALES.

2. Con un voltímetro de CA preciso, compruebe si el voltaje es correcto. Mida entre los terminales N1 y N2 del ATS. También compruebe N1 con NEUTRO y N2 con NEUTRO.
3. Cuando tenga la certeza de que el voltaje de suministro del SERVICIO PÚBLICO es correcto y compatible con los valores nominales del interruptor de transferencia, coloque en OFF la alimentación de SERVICIO PÚBLICO al interruptor de transferencia..
4. Coloque el generador en modo MANUAL. El generador debe efectuar giro de arranque y arrancar.
5. Deje que el generador se estabilice y caliente sin carga durante cinco minutos como mínimo.
6. Coloque el disyuntor principal del generador (CB1) en su posición ON o CERRADO.

⚠ ¡PELIGRO!

⚠ PROCEDA CON PRECAUCIÓN. EL VOLTAJE DE SALIDA DEL GENERADOR ESTA SIENDO ENTREGADO A HORA A LOS TERMINALES DEL INTERRUPTOR DE TRANSFERENCIA. EL CONTACTO CON TERMINALES VIVOS RESULTA EN CHOQUES ELÉCTRICOS EXTREMADAMENTE PELIGROSOS Y POSIBLEMENTE MORTALES.

7. Con un voltímetro y un frecuencímetro de CA precisos, compruebe la frecuencia y voltaje sin carga. Mida entre los terminales E1 y E2 del ATS. También compruebe E1 con NEUTRO y E2 con NEUTRO.
 - a. Frecuencia 60-62 Hz
 - b. Terminales E1 a E2 240-246 VCA
 - c. Terminales E1 a NEUTRO..... 120-123 VCA
 - d. Terminales E2 a NEUTRO..... 120-123 VCA
8. Coloque el disyuntor principal del generador (CB1) en su posición OFF u OPEN (Abierto).
9. Coloque el generador en modo OFF para parar el generador.

NOTA:

NO continúe hasta que el voltaje de salida y frecuencia de CA sean correctos y dentro de los límites establecidos. Si el voltaje sin carga es correcto, pero la frecuencia sin carga no, la velocidad regulada por el motor puede requerir ajuste. Si la frecuencia sin carga es correcta pero el voltaje no, el regulador de voltaje puede requerir ajuste.

3.4 PRUEBAS DEL GENERADOR BAJO CARGA

1. Coloque el disyuntor principal del generador en su posición OFF u OPEN (Abierto).
2. Coloque el disyuntor DE DESCONEXIÓN DEL SERVICIO PÚBLICO en su posición OFF u OPEN (Abierto).
3. Accione manualmente los contactos principales del interruptor de transferencia a su posición de GENERADOR (RESERVA). Consulte "Operación manual".
4. Para arrancar el generador, póngalo en modo MANUAL. Cuando el motor arranque, déjelo estabilizarse durante unos pocos minutos.
5. Coloque el disyuntor principal del generador en su posición ON o CLOSED (Cerrado). El generador ahora alimenta todos los circuitos de CARGA. Compruebe el funcionamiento del generador bajo carga como sigue:
 - CONECTE las cargas eléctricas a la potencia/amperaje nominal máximo del generador. NO SOBRECARGUE.
 - Con la carga nominal máxima aplicada, compruebe el voltaje y la frecuencia entre los terminales E1 y E2 del interruptor de transferencia. El voltaje debe ser mayor que 230 VCA y la frecuencia debe ser mayor que 59 Hz. También, verifique que la presión del gas se mantenga dentro de parámetros aceptables (vea el manual Directrices de instalación del generador).
 - Deje que el generador funcione bajo carga nominal durante 30 minutos como mínimo. Con la unidad en funcionamiento, escuche en búsqueda de ruidos inusuales, vibraciones, sobrecalentamiento, etc., que puedan indicar un problema.
6. Cuando haya finalizado la prueba bajo carga, coloque el disyuntor principal del generador en su posición OFF u OPEN (Abierto).
7. Deje que el generador funcione sin carga durante varios minutos. Luego, párelo poniéndolo en modo OFF.

3.5 COMPROBACIÓN DEL FUNCIONAMIENTO AUTOMÁTICO

Para comprobar si el sistema funciona correctamente en forma automática, efectúe lo siguiente:

1. Asegúrese de que el generador esté en modo OFF.
2. Instale la cubierta delantera del interruptor de transferencia.
3. Apague el suministro de alimentación de servicio público al interruptor de transferencia, usando los medios proporcionados (como disyuntor principal de línea del servicio público).

NOTA:

El interruptor de transferencia transferirá de vuelta a la posición de servicio público.

4. Coloque el disyuntor principal del generador en su posición ON (o Cerrado).
5. Pulse el botón de modo AUTO del generador. El sistema está ahora listo para funcionamiento automático.
6. Coloque en OFF el suministro de alimentación del servicio público al interruptor de transferencia.

Con el generador listo para funcionar automáticamente, el motor debe efectuar giro de arranque y arrancar cuanto la fuente de alimentación del servicio público se coloca en OFF después de un retardo de 10 segundos (configuración predeterminada de fábrica). Después de arrancar, el interruptor de transferencia debe conectar los circuitos de carga al lado de reserva después de un retardo de cinco (5) segundos. Deje que el sistema pase por toda su secuencia de funcionamiento automático.

Con el generador funcionando y las cargas alimentadas por la salida del generador CA, ENCIENDA la alimentación de servicio público al interruptor de transferencia. Debe ocurrir lo siguiente:

- Luego de aproximadamente 15 segundos, el interruptor debe transferir las cargas de vuelta a la alimentación del servicio público.
- Aproximadamente un minuto después de volver a transferir, el motor debe pararse.

Con el generador en modo AUTOMÁTICO, el sistema está listo para funcionamiento completamente automático.

3.6 PRUEBA DE LA TARJETA DE CONTROL DE PREVENCIÓN DE SOBRECARGA (OPCB)

En la parte inferior de la tarjeta OPCB se incluye un botón pulsador de prueba para probar el funcionamiento de las funciones que se prueban. El botón de prueba funcionará cuando el ATS esté en la posición de servicio público o de generador.

1. Coloque en ON el suministro del servicio público al ATS.
2. Pulse el botón TEST (prueba) en la tarjeta OPCB.
3. Verifique que todas las cargas conectadas que se deben "rechazar" se deshabiliten. El método de verificación dependerá del tipo de carga.
4. Después de cinco (5) minutos verifique si AC 1 y Carga 1 están energizados y si el LED de estado de AC 1 y Carga 1 está encendido.
5. Después de otros 15 segundos verifique si AC 2 y Carga 2 están energizados y si los LED de estado de AC 2 y Carga 2 están encendidos.
6. Después de otros 15 segundos, verifique si Carga 3 está energizado, y si el LED de estado de Carga 3 está encendido.
7. Después de otros 15 segundos, verifique si Carga 4 está energizado, y si el LED de estado de Carga 4 está encendido.

3.7 RESUMEN DE LA INSTALACIÓN

1. Asegúrese de que la instalación haya sido llevada a cabo apropiadamente como indicó el fabricante y que satisfaga todas las leyes y códigos correspondientes.
2. Pruebe y confirme el funcionamiento correcto del sistema como se indicó en los correspondientes manuales de instalación y del propietario.
3. Instruya al usuario final sobre los procedimientos correctos de operación, mantenimiento y llamadas de servicio.

¡Importante! Si el usuario final en algún momento encuentra necesario colocar el generador en OFF durante apagones prolongados del servicio público para conservar combustible, instrúyalo sobre estos pasos simples pero importantes:

Para colocar el generador en OFF (mientras funciona en AUTO y en línea):

1. Coloque en OFF (o ABIERTO) el interruptor de desconexión del servicio público.
2. Coloque en OFF (o ABIERTO) el disyuntor principal de línea (MLCB) en el generador.
3. Coloque el generador en OFF.

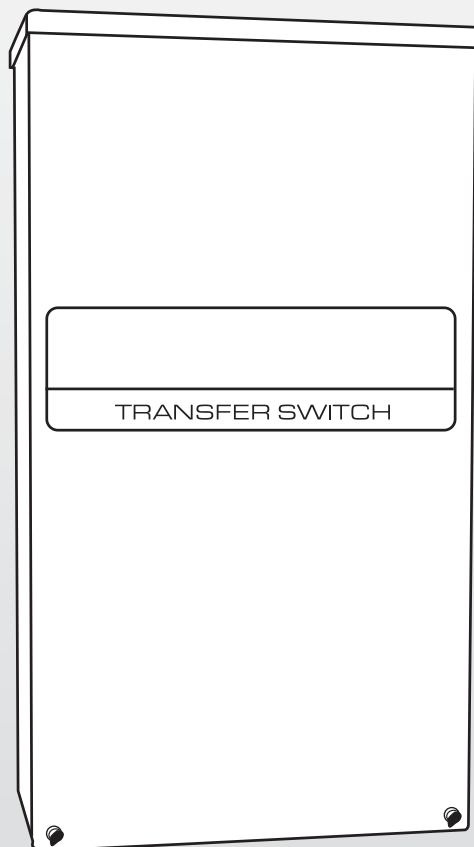
Para colocar el generador de vuelta en ON:

1. Coloque el generador de vuelta en AUTO y permítale arrancar y calentarse unos pocos minutos.
2. Coloque en ON (o CERRADO) el MLCB del generador.

El sistema ahora estará funcionando en modo automático. El interruptor de desconexión principal del servicio público puede ser colocado en ON (o CERRADO), pero para parar la unidad, debe repetirse este proceso completo.

Manuel de l'utilisateur

Interrupteur de transfert automatique



⚠ DANGER!

- ⚠ NON DESTINÉ POUR DES APPLICATIONS DE MAINTIEN DES FONCTIONS VITALES CRITIQUES.**
- ⚠ CE PRODUIT PEUT ÊTRE INSTALLÉ PAR LE PROPRIÉTAIRE. TOUTEFOIS, SI VOUS N'AVEZ PAS LES HABILITÉS OU LES OUTILS NÉCESSAIRES, ENGAGEZ UN ÉLECTRICIEN OU UN ENTREPRENEUR QUALIFIÉ POUR L'INSTALLATION.**
- ⚠ GAZ D'ÉCHAPPEMENT MORTELS! INSTALLER À L'EXTÉRIEUR SEULEMENT!**

RÉFÉREZ-VOUS AU MANUEL DU PROPRIÉTAIRE FOURNI AVEC LE GÉNÉRATEUR LORS DE L'UTILISATION DU PRÉSENT DOCUMENT.

Ce manuel doit rester avec l'appareil.

Table des matières

Règles de sécurité.....	32
Information générale.....	34
1.1 Introduction.....	34
1.2 Retrait de l'emballage.....	34
1.3 Description de l'équipement.....	34
1.4 Autocollants du commutateur de transfert.....	35
1.5 Boîtier du commutateur de transfert.....	35
1.6 Utilisation sécuritaire du commutateur de transfert.....	35
Installation.....	35
2.1 Préparation de l'installation.....	35
2.2 Montage.....	35
2.3 Connexion de l'alimentation et des lignes de charge.....	36
2.4 Connexion des fils du circuit de démarrage.....	36
2.5 OPCB (tableau de commande de prévention de surcharge).....	36
2.6 Connexion à l'alimentation pour les contacteurs.....	38
Fonctionnement.....	39
3.1 Tests de fonctionnement et réglages.....	39
3.2 Fonctionnement manuel.....	39
3.3 Vérification de la tension.....	40
3.4 Vérification du générateur avec charge.....	41
3.5 Vérification du fonctionnement automatique.....	41
3.6 Vérification de l'OPCB (tableau de commandes de prévention de surcharge).....	41
3.7 Résumé d'installation.....	41

! **CONSERVEZ CES INSTRUCTIONS!** Lisez attentivement l'information qui suit avant l'installation, le fonctionnement ou l'entretien de cet équipement. Lisez également les directives et l'information des autocollants et des étiquettes qui se trouvent sur le commutateur de transfert. Remplacez tout autocollant ou toute étiquette qui n'est plus lisible.

! **DANGER!** Relier un générateur à un système électrique normalement alimenté par le réseau public doit être effectué au moyen d'un équipement qui assure un transfert adéquat afin d'isoler le système électrique du réseau de distribution public lorsque le générateur est en marche (Section 701 : Legally Required Standby Systems ou Section 702 : Optional Standby Systems, si applicables). Le fait de ne pas isoler un système électrique à l'aide de tels moyens se traduira par des dommages au générateur et peut également entraîner des blessures ou la mort de travailleurs du réseau public en raison du retour de l'énergie électrique.

Le fabricant ne peut anticiper toutes les circonstances possibles pouvant être source de danger. Les avertissements de ce manuel, ainsi que ceux qui se trouvent sur les étiquettes et les autocollants fixés sur l'unité ne préviennent pas tous les risques. Lors d'une procédure, d'une méthode de travail ou d'une technique d'utilisation n'étant pas spécifiquement recommandée par le fabricant, s'assurer de la sécurité du personnel. De plus, il est nécessaire de s'assurer que la procédure, la méthode de travail ou la technique d'utilisation choisie ne fait pas en sorte que le commutateur de transfert devienne non sécuritaire.

AVERTISSEMENT!

Proposition 65 de la Californie

L'échappement du moteur et certains de ses composants sont reconnus par l'État de la Californie comme pouvant causer le cancer, des anomalies congénitales ou d'autres problèmes de reproduction.

AVERTISSEMENT!

Proposition 65 de la Californie

Ce produit contient ou émet des produits chimiques reconnus par l'État de la Californie comme pouvant causer le cancer, des anomalies congénitales ou d'autres problèmes reproducteurs.

Des encarts DANGER, AVERTISSEMENT, ATTENTION et REMARQUE apparaissent ponctuellement dans cette publication ainsi que sur les étiquettes et autocollants fixés sur le générateur pour attirer l'attention du personnel sur des consignes propres à certaines opérations pouvant présenter des risques si elles sont réalisées de manière incorrecte ou inattentive. Respectez-les à la lettre. Voici leur définition :

DANGER!

Ce titre indique une directive qui, si elle n'est pas respectée à la lettre, mènera à des blessures personnelles graves ou même la mort.

AVERTISSEMENT!

Ce titre indique une directive qui, si elle n'est pas respectée à la lettre, peut mener à des blessures personnelles graves ou même à la mort.

ATTENTION!


Ce titre indique une directive qui, si elle n'est pas respectée à la lettre, peut mener à des blessures mineures ou moyennement graves.

REMARQUE :

Ce titre indique une directive qui, si elle n'est pas respectée à la lettre, peut mener à un bris de l'équipement ou des biens d'autrui.

Ces avertissements en matière de sécurité ne peuvent éliminer les dangers qu'ils décrivent. Le bon sens et un respect strict des consignes sont essentiels afin de prévenir les accidents lors de l'utilisation ou de l'entretien.

Quatre symboles de sécurité communément utilisés accompagnent les encarts DANGER, AVERTISSEMENT et ATTENTION. Voici les informations indiquées par chacun de ceux-ci :

 **Ce symbole fournit des informations de sécurité importantes qui, si elles ne sont pas suivies, pourraient mettre en danger la sécurité des personnes ou endommager les biens d'autrui.**

 **Ce symbole indique un risque potentiel d'explosion.**

 **Ce symbole indique un risque potentiel d'incendie.**

 **Ce symbole indique un risque potentiel de décharge électrique.**

RISQUES GÉNÉRAUX

- Tout générateur à courant alternatif utilisé pour une alimentation de secours, dans le cas d'une panne de l'alimentation NORMALE (RÉSEAU PUBLIC), doit être isolé du RÉSEAU PUBLIC au moyen d'un commutateur de transfert approuvé. Une isolation inappropriée des sources NORMALE et DE SECOURS, l'une de l'autre, peut mener à des blessures graves ou à la mort de l'employé du réseau public en raison d'une réalimentation d'énergie électrique.
- Une installation, une utilisation, un entretien ou une réparation inapproprié de l'équipement est extrêmement dangereux et peut mener à la mort ou à des blessures personnelles graves ou encore à un bris de l'équipement ou des biens d'autrui.

- Un commutateur de transfert présente une tension extrêmement élevée et dangereuse. Tout contact avec les bornes à haute tension, les contacts ou les fils causera une décharge électrique extrêmement dangereuse et possiblement mortelle. **NE TRAVAILLEZ PAS SUR LE COMMUTATEUR DE TRANSFERT AUTOMATIQUE TANT QUE TOUTES LES SOURCES D'ALIMENTATION VERS LE COMMUTATEUR N'ONT PAS ÉTÉ COMPLÈTEMENT FERMÉES.**
- L'installation, l'utilisation et l'entretien de cet équipement doivent être effectués par du personnel compétent et qualifié. Conformez-vous strictement aux codes électriques et de construction locaux, provinciaux et nationaux. Lors de l'utilisation de cet équipement, assurez-vous d'être en conformité avec les normes du Code national de l'électricité et de la CSA (Association canadienne de normalisation), le Code canadien de l'électricité (C22.1) et l'OSHA (Occupational Safety and Health Administration).
- Ne touchez jamais un appareil électrique en étant debout sur un sol mouillé, pieds nus ou avec les mains ou les pieds mouillés. **UNE DÉCHARGE ÉLECTRIQUE DANGEREUSE PEUT SE PRODUIRE.**
- Retirez tous vos bijoux (anneau, montre, bracelet, etc.) avant de travailler sur cet équipement.
- S'il est nécessaire de travailler sur cet équipement et d'être debout sur un appui en métal ou en béton, placez un matelas isolant sur une plateforme en bois non humide. Ne travaillez sur l'équipement que debout sur un tel tapis isolant.
- Ne travaillez jamais sur l'équipement lorsque vous êtes physiquement ou mentalement fatigué.
- La porte du boîtier du commutateur de transfert automatique doit rester fermée et boulonnée en tout temps. Seul le personnel qualifié peut avoir accès à l'intérieur du boîtier du commutateur.
- En cas d'accident causé par une décharge électrique, coupez immédiatement la source d'énergie électrique. Si cela n'est pas possible, tentez de dégager la victime du conducteur sous tension, tout en évitant TOUT CONTACT DIRECT AVEC LA VICTIME. Utilisez un outil non conducteur, tel qu'une planche ou un câble sec, pour libérer la victime du conducteur sous tension. Si la victime est inconsciente, lui administrez les premiers soins et obtenez une aide médicale immédiate.
- Si un commutateur de transfert automatique est installé pour un générateur de secours, le moteur du générateur peut se lancer et démarrer à n'importe quel moment et sans avertissement. Pour éviter tout risque de blessure causé par un démarrage soudain, le circuit de démarrage automatique du système doit être désactivé avant de travailler dans les environs du générateur ou du commutateur de transfert. Placez également un écriteau « NE PAS FAIRE FONCTIONNER » sur le commutateur de transfert et sur le générateur. Débranchez le câble de la borne négative (Neg) ou (-) de la batterie.

Pour un service après-vente agréé, référez-vous au numéro du détaillant qui se trouve à l'intérieur du manuel du propriétaire du générateur.

1.1 INTRODUCTION

Ce manuel a été préparé pour le personnel familiarisé avec la conception, l'application, l'installation, l'utilisation et la réparation de l'équipement dont il est question ici. Lisez attentivement le manuel et suivez toutes les directives. Cela contribuera à prévenir les accidents ou les dommages causés à l'équipement qui pourraient survenir à la suite de négligences, d'applications incorrectes ou de procédures inappropriées.

Tous les efforts ont été déployés pour s'assurer que le contenu de ce manuel est à la fois précis et à jour. Le fabricant se réserve toutefois le droit de modifier ou d'améliorer le produit ou le manuel à tout moment, sans avis préalable.

1.2 RETRAIT DE L'EMBALLAGE

Retirez soigneusement le commutateur de transfert de son emballage. Vérifiez attentivement la présence de dommage qui aurait pu survenir au cours du transport de l'équipement. L'acheteur doit déclarer tout dommage ou toute perte qui aurait pu survenir au cours du transport auprès du transporteur.

Vérifiez que l'ensemble du contenu est retiré de l'emballage avant de commencer l'installation de commutateur.

1.3 DESCRIPTION DE L'ÉQUIPEMENT

Le commutateur de transfert automatique sert à transférer l'alimentation en provenance d'un RÉSEAU PUBLIC (NORMAL) vers celle d'un GÉNÉRATEUR (SYSTÈME DE SECOURS). Un tel transfert se produit automatiquement lorsque l'alimentation en provenance du réseau public est interrompue ou déficiente ou encore lorsque la tension et la fréquence fournies par le GÉNÉRATEUR sont suffisantes. Le commutateur de transfert empêche toute réalimentation d'énergie électrique entre deux sources (comme dans le cas d'une alimentation en provenance d'un réseau PUBLIC et d'un GÉNÉRATEUR). C'est pour cette raison que le Code exige un tel commutateur pour toutes les installations d'alimentation de secours.

Le commutateur de transfert comprend un mécanisme de transfert, UN DISJONCTEUR POUR LE RÉSEAU PUBLIC, un relai de commande, des fusibles, une plaque à bornes et un porte-fusible pour les connexions des fils de détection.

Ce commutateur de transfert convient pour une utilisation avec de l'équipement du réseau public.

1.3.1 MÉCANISME DU COMMUTATEUR DE TRANSFERT

Ces commutateurs (figure 1.1) sont utilisés dans un système à une seule phase, lorsque la ligne NEUTRE de la phase doit être connectée à un connecteur neutre et qu'elle n'est pas commutée.

Les bornes de type vissant et sans soudure sont standard.

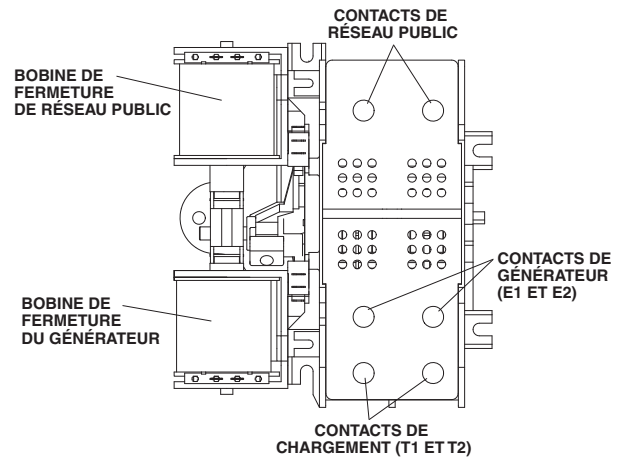
Commutateur	Fil	Serrage du conducteur
Classification	Calibre	Couple de force
100 A	#14-1/0 AWG	50 in-lb.
200 A	#6-250 MCM	275 po-lb.

Ce commutateur de transfert convient aux moteurs, aux lampes à décharge, aux filaments de tungstène et à l'équipement de chauffage électrique. La somme de l'intensité à pleine charge et des autres charges ne doit pas excéder l'intensité nominale du commutateur. De plus, la charge des filaments de tungstène ne doit pas dépasser 30 % de l'intensité nominale du commutateur.

Le commutateur de transfert, certifié UL, sert aux systèmes de secours seulement (NEC; Section 702).

Ce commutateur de transfert convient pour une utilisation sur un circuit de 22 000 rms (200 A) et 10 000 rms (100 A); ampères symétriques, maximum 240 V a.c.

Figure 1.1 — Mécanisme de transfert d'un commutateur de transfert typique



1.3.2 DISJONCTEUR DU RÉSEAU PUBLIC

Le disjoncteur du réseau public et du générateur sont dotés des caractéristiques suivantes :

- Type BQ, 2 pôles
- 120/240 V a.c., 100 A
- 50/60 Hz
- Homologué pour les systèmes de chauffage, de climatisation et de réfrigération
- Calibre du fil : #1 - #8 AWG.
- Le couple de force pour le conducteur est de 50 po-lb.

Le disjoncteur du réseau public des modèles 150/200 A est doté des caractéristiques suivantes :

- Type 225AF, 2 pôles
- 120/240 V a.c., 150 A/200 A
- 50/60 Hz
- Calibre du fil : 300 MCM - 6 STR (ligne), 250 MCM - 6 STR (charge - commutateur de transfert automatique)
- Le couple de force pour le conducteur est de 375 po-lb. (ligne), 275 po-lb. (charge - commutateur de transfert automatique)

1.3.3 OPCB (TABLEAU DE COMMANDE DE PRÉVENTION DE SURCHARGE)

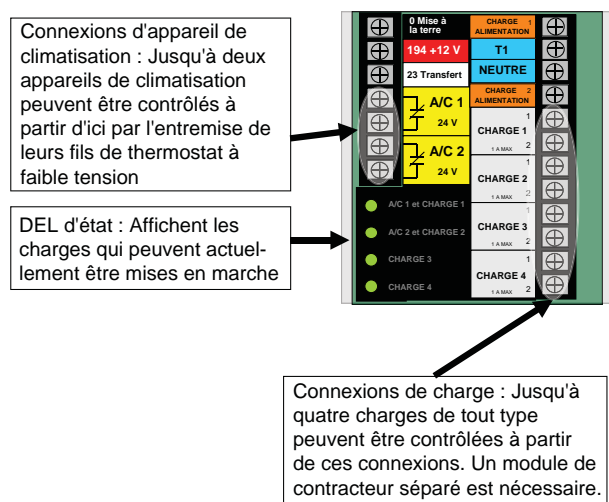
Le Tableau de commande de prévention de surcharge (OPCB) est conçu pour prévenir les surcharges du générateur (voir figure 1.2). Jusqu'à six charges peuvent être gérées par l'OPCB : c'est-à-dire deux charges d'appareil de climatisation et quatre autres charges. L'OPCB gère les charges par le « délestage » des charges connectées dans le cas d'une baisse de fréquence du générateur (surcharge). La charge à « délester » est groupée selon quatre degrés de priorité sur l'OPCB.

- Les degrés de priorité 1 et 2 sont des connexions pouvant prendre en charge un appareil de climatisation et un contacteur. Ainsi, un appareil de climatisation et un contacteur peuvent être utilisés en même temps si désiré. Pour contrôler un appareil de climatisation, il n'est pas nécessaire d'ajouter d'autre équipement. Un relai interne interrompt le signal de contrôle 24 V a.c. du thermostat pour désactiver la charge de l'appareil de climatisation.

- Les degrés de priorité 3 et 4 ont des connexions pour un contacteur seulement.
- Quatre DEL, situées sur l'OPCB, indiquent quand un niveau de priorité est activé. Quand des charges sont connectées, les DEL sont allumées.
- Toutes les charges, y compris les appareils de climatisation, peuvent être contrôlés par un contacteur, acheté séparément. Jusqu'à quatre contacteurs peuvent être contrôlés par l'OPCB (le courant 24 V a.c. ou 120 V a.c. est fourni par l'OPCB pour alimenter chaque bobine de contacteur).
- Les conditions de surcharge du générateur sont déterminées par la fréquence du générateur. Les chargements sont délestés quand la fréquence est inférieure à 58 Hz pendant 3 secondes ou inférieure à 50 Hz pendant 0,5 seconde (pour 60 Hz).

L'OPCB est doté d'un bouton de vérification, qui force l'unité à agir comme si une surcharge s'était produite. Ce bouton fonctionne même lorsque le transfert de signal est inactif.

Figure 1.2 —OPCB



1.4 AUTOCOLLANTS DU COMMUTATEUR DE TRANSFERT

Un AUTOCOLLANT est posé en permanence sur le boîtier du commutateur de transfert. Utilisez ce commutateur de transfert seulement dans les limites affichées sur l'AUTOCOLLANT et sur les autres étiquettes ou autocollants qui peuvent avoir été apposés sur le commutateur. Cela permettra de prévenir les dommages causés à l'équipement ou aux biens d'autrui.

Lorsqu'on vous demande de l'information ou pour les commandes de pièces pour cet équipement, assurez-vous d'inclure toutes les données de l'AUTOCOLLANT.

Notez le modèle et le numéro de série dans l'espace prévu à cet effet ci-dessous à des fins de référence.

MODÈLE	
NO DE SÉRIE	

1.5 BOÎTIER DU COMMUTATEUR DE TRANSFERT

Le boîtier standard du commutateur est certifié par la NEMA (National Electrical Manufacturer's Association) et par UL (type 3R). Les boîtiers de type 3R conviennent à une installation intérieure ou extérieure. Ils offrent une protection contre la pluie et les granules de glace: ils ne sont pas endommagés par la glace qui pourrait se former sur le boîtier.

1.6 UTILISATION SÉCURITAIRE DU COMMUTATEUR DE TRANSFERT

Avant l'installation, l'utilisation ou la réparation de cet équipement, lisez les RÈGLES DE SÉCURITÉ (à l'intérieur du couvercle) attentivement. Respectez les RÈGLES DE SÉCURITÉ à la lettre afin de prévenir les accidents et les dommages causés à l'équipement. Le fabricant recommande qu'un exemplaire des RÈGLES DE SÉCURITÉ se trouve à proximité du commutateur de transfert. De plus, assurez-vous d'avoir lu toutes les instructions et toute l'information des étiquettes et des autocollants qui se trouve sur l'équipement.

Voici trois publications importantes qui soulignent l'utilisation sécuritaire des interrupteurs de transfert :

- NFPA 70; National Electrical Code
- NFPA 70E; Standard for Electrical Safety in the Workplace
- UL 1008, STANDARD FOR SAFETY-AUTOMATIC TRANSFER SWITCHES

REMARQUE :

Il est essentiel d'utiliser la dernière version de toute norme afin de s'assurer d'avoir une information adéquate et à jour.

2.1 PRÉPARATION DE L'INSTALLATION

Le montage des fils a été réalisé et vérifié en usine. L'installation du commutateur suit la procédure suivante :

- Installation du boîtier.
- Connexion des lignes d'alimentation et des charges.
- Connexion des fils de détection du générateur et des circuits de relai de transfert.
- Connexion des contacts auxiliaires (si nécessaire).
- Connexion de l'OPCB (comme exigé).
- Vérification du fonctionnement.

2.2 MONTAGE

Les dimensions pour l'installation du commutateur de transfert se trouvent dans le présent manuel. Les boîtiers sont habituellement installés sur un mur. Consultez le diagramme d'installation.

⚠ ATTENTION!


⚠ Manipulez le commutateur de transfert avec soin lors de l'installation et prenez garde de ne pas l'échapper. En tout temps, protégez le commutateur des impacts, des débris de construction et des particules métalliques. N'installez jamais un commutateur de transfert qui aurait été endommagé.

Ce commutateur de transfert est monté dans un boîtier de type 3R (UL). Il peut être installé à l'intérieur ou à l'extérieur. Son emplacement doit être déterminé en fonction de la disposition de l'installation, de la commodité et de la proximité de la source du réseau public et du centre de charge.

Installez le commutateur de transfert aussi près que possible des charges électriques qui seront connectées. Installez le commutateur de transfert à la verticale, sur une structure de support solide. Afin de prévenir les risques de distorsion, mettez à niveau tous les points d'attache. Au besoin, placez des rondelles derrière les trous de montage afin de mettre l'unité au niveau.

2.3 CONNEXION DE L'ALIMENTATION ET DES LIGNES DE CHARGE

⚠ DANGER!

 **Assurez-vous de positionner les deux sources d'alimentation à la position ARRÊT, c'est-à-dire celle du RÉSEAU PUBLIC (NORMAL) et celle du GÉNÉRATEUR (DE SECOURS), avant de tenter de connecter la source d'alimentation et les lignes de charge au commutateur de transfert. La tension de l'alimentation est très élevée et dangereuse. Tout contact avec les lignes à haute tension causera une décharge électrique extrêmement dangereuse et possiblement mortelle.**

Les diagrammes de câblage et les schémas électriques sont fournis dans ce manuel.

REMARQUE :

Toutes les installations doivent être conformes aux codes nationaux, provinciaux ou locaux. Il incombe à l'installateur d'effectuer une installation qui pourra passer les inspections électriques de mise.


La connexion reliant le réseau public est faite aux bornes du DISJONCTEUR DU RÉSEAU PUBLIC. Les connexions du générateur et des charges personnalisées sont faites à partir du mécanisme du commutateur de transfert, à l'intérieur du boîtier.

Le calibre des fils doit convenir à la tension maximale pouvant y circuler, en fonction de la colonne à 75 °C des tableaux, diagrammes, etc. utilisés pour les calibres des fils. L'installation doit être conforme à tous les codes, à toutes les normes et à toutes les réglementations.

Les câbles sous tension doivent être acheminés dans le boîtier au moyen des entrées défonçables à cet effet. Si les entrées défonçables ne sont pas utilisées, l'entrée des conduits dans le boîtier doit être réalisée vis-à-vis ou en dessous des entrées défonçables afin d'être conforme aux exigences 3R de boîtier. Les conduits doivent être disposés afin de séparer les fils du réseau public et ceux du générateur à l'intérieur du boîtier.

Avant de connecter les câbles aux bornes, retirer toute trace d'oxydation des extrémités au moyen d'une brosse métallique. Si des conducteurs en ALUMINIUM sont utilisés, appliquez un produit antirouille sur les conducteurs. Serrez les dispositifs de serrage des bornes à la valeur de couple présentée dans le présent manuel et sur les autocollants qui se trouvent à l'intérieur du boîtier. Après avoir serré les bornes, retirez soigneusement tout excès d'antirouille.

⚠ ATTENTION!

 **Utilisez une clé dynamométrique pour serrer les conducteurs en vous assurant de ne pas trop serrer, car cela pourrait endommager la base du commutateur. Si les connexions ne sont pas serrées suffisamment, cela pourrait causer un excès de chaleur et endommager la base du commutateur.**

Connectez les conducteurs des charges à la languette de connexion du mécanisme de la façon suivante :

1. Connectez les câbles de la source du RÉSEAU PUBLIC (NORMAL) au disjoncteur correspondant.
2. Connectez les câbles de la source du GÉNÉRATEUR (SYSTÈME DE SECOURS) aux bornes E1 et E2 du commutateur.
3. Connectez les lignes charges personnalisées aux bornes T1 et T2.

Les conducteurs doivent être adéquats, dotés des propriétés isolantes approuvées, protégés par un conduit approuvé et d'un calibre conforme aux codes applicables.

Assurez-vous de maintenir un dégagement approprié entre les parties métalliques alimentées et les parties métalliques de la mise à la terre. Laissez au moins 0,5 po d'espace pour les circuits de 100 à 400 A.

2.4 CONNEXION DES FILS DU CIRCUIT DE DÉMARRAGE

Les connexions du système de contrôle (section des données électriques) consistent en PUBLIC 1 (N1), PUBLIC 2 (N2) et CHARGE (T1) ainsi que les charges 23, 0 et 194. Les calibres recommandés pour le câblage dépendent de la longueur du fil utilisé, comme indiqué dans le tableau suivant :

LONGUEUR MAXIMALE DE FIL	Taille recommandée du câble
1-115 pi (1-35 m)	No 18 AWG.
De 116 à 185 pi (36-56 m)	No 16 AWG.
De 186 à 295 pi (57-89 m)	No 14 AWG.
De 296 à 460 pi (90-140 m)	No 12 AWG.

2.5 OPCB (TABLEAU DE COMMANDE DE PRÉVENTION DE SURCHARGE)

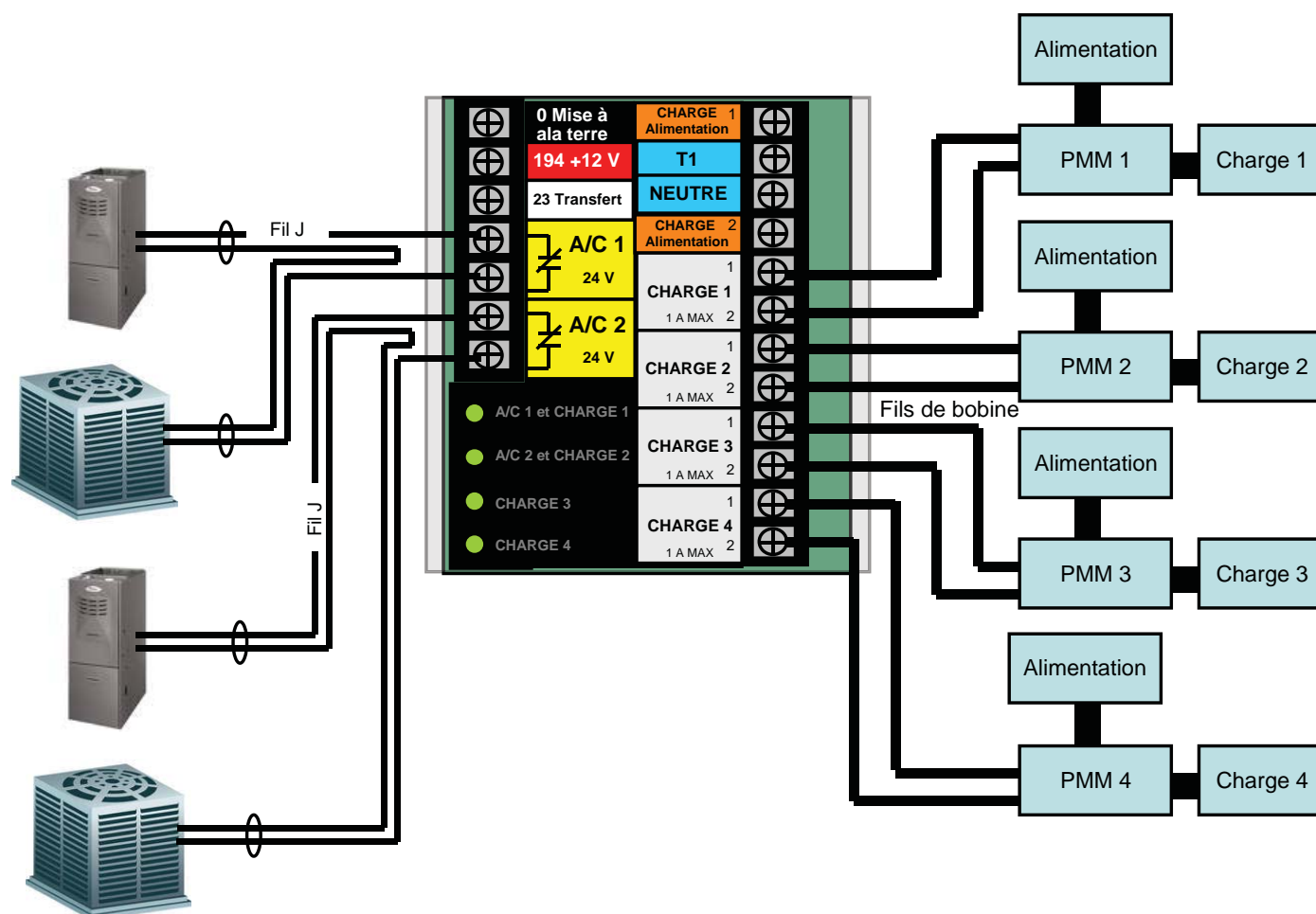
L'OPCB peut contrôler directement un appareil de climatisation (24 V a.c.) ou un contacteur séparé (24 V a.c. ou 120 V a.c. avec bobine) qui peut contrôler toute charge qui lui est reliée. Consulter figure 2.1.

Le module de gestion d'alimentation (PMM) n'est pas fourni avec le commutateur de transfert. Il peut être acheté séparément du fabricant. Le PMM sert lorsque l'OPCB est monté sur le commutateur de transfert. L'OPCB est conçu pour être relié à la bobine de fonctionnement du contacteur du PPM afin de l'alimenter. L'OPCB est alimenté d'une source en provenance d'un transformateur 24 V a.c., Classe 2, reliée à la source CHARGE du commutateur. (Chaque sortie est limitée à 1 A.) Les connexions de la bobine du contacteur du PPM sont faites sur la languette de connexion de l'OPCB.

Connectez la bobine du contacteur du PPM à la borne du contacteur de l'OPCB (1, 2, 3 ou 4). Le choix de la borne du contacteur dépend du degré de priorité accordée lors du contrôle des charges. Il s'agit d'un circuit 24 V a.c. Les méthodes utilisées pour le câblage doivent être celles de la Classe 2. Utilisez des bornes à connexion rapide de 0,25 po pour connecter la bobine du contacteur au PMM. Voir figure 2.1.

Un œillet est présent pour acheminer le câblage de Classe 2. L'œillet peut servir pour toute entrée défonçable des installations NEMA 1. L'œillet ne peut servir qu'au bas des entrées défonçables pour les installations NEMA 3R.

Figure 2.1 — Commande de prévention de surcharge



Contrôle de la charge d'un appareil de climatisation

1. Acheminez le câble du thermostat dans le commutateur de transfert (du générateur de chaleur à l'unité de climatisation extérieure).
2. Connectez le fil de la languette de contact (Air 1) de l'OPCB, comme illustré à la figure 2.1. Il s'agit de contacts normalement fermés qui s'ouvrent lors d'une condition de délestage des charges. Acheminez le fil du thermostat loin des fils à haute tension.
3. Au besoin, connectez le deuxième appareil de climatisation à la languette de connexion (Air 2).

Courants admissibles	
Air 1 et 2	24 V a.c., 5,0 A max

REMARQUE :

Ces directives conviennent à une installation typique de système de climatisation. Les contrôles d'une thermopompe et des systèmes à deux étapes nécessitent des connexions spéciales ou l'utilisation de modules de gestion de l'alimentation pour contrôler les charges.

Contrôle d'un contacteur séparé

Un module de relai de contacteur séparé peut être acheté du fabricant. Ce modèle est livré avec une bobine 24 V a.c. ou 120 V a.c.

1. Installez le module de contacteur et connectez la charge aux contacts principaux.
2. Connectez la bobine du contacteur à la borne voulue (L1 à L4) de la languette de connexion.
3. Connectez les autres modules de contacteur de la même manière.

REMARQUE :

Il sera nécessaire de déterminer l'ordre pour le « délestage » des charges et de connecter les charges dans l'OPCB en fonction de l'ordre souhaité. L'emplacement 1 a la priorité la plus élevée et l'emplacement 4 à la priorité la plus basse.

2.5.1 DÉLESTAGE – SÉQUENCE DES OPÉRATIONS

En configuration de fonctionnalité complète, six circuits de charge sont organisés en quatre groupes prioritaires. Le groupe prioritaire 1 (A/C 1) et le contacteur d'usage général qui lui est associé (Load 1) constituent la priorité absolue et comprennent habituellement les premières charges qui sont reconnectées (sauf au mode de délestage rapide). Le groupe prioritaire 4 (Load 4) comprend habituellement les dernières charges à reconnecter (sauf au mode de délestage rapide). Les groupes prioritaires se présentent de la façon suivante :

Groupe prioritaire 1

- A/C 1 et Load 1

Groupe prioritaire 2

- A/C 2 et Load 2

Groupe prioritaire 3

- Load 3

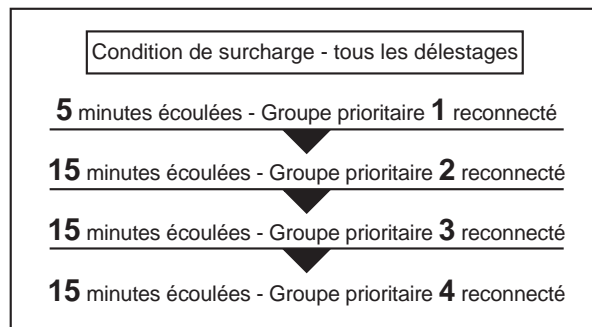
Groupe prioritaire 4

- Load 4

Étant donné que le courant alternatif c.a. (A/C) est généralement considéré comme le plus important, il est câblé aux deux plus hauts niveaux de priorité (A/C 1 et A/C 2). Deux autres charges pouvant être considérées comme d'une importance équivalente sont câblées sur les contacteurs d'usage général associés. Les charges de moindre importance sont câblées aux contacteurs restants (Load 3 et Load 4).

L'OPCB (tableau de commande de prévention de surcharge), s'il est pleinement fonctionnel et gère les six charges connectées, détecte une condition de surcharge et déleste instantanément tous les circuits lorsque survient un événement provoquant une hausse de charge qui dépasse la capacité du générateur. Après cinq minutes, l'OPCB reconnecte les charges associées au groupe de priorité 1 (A/C 1, Load 1), puis reconnecte les charges restantes par intervalles de quinze secondes. Si l'OPCB détecte une autre surcharge pendant la reconnexion, le circuit défaillant est délesté, puis bloqué pendant 30 minutes. La prochaine charge dans la séquence est alors reconnectée. Ce processus continue jusqu'à ce que toutes les charges aient fait l'objet d'une tentative de reconnexion (figure 2.2).

Figure 2.2 — Délestage standard



2.6 CONNEXION À L'ALIMENTATION POUR LES CONTACTEURS

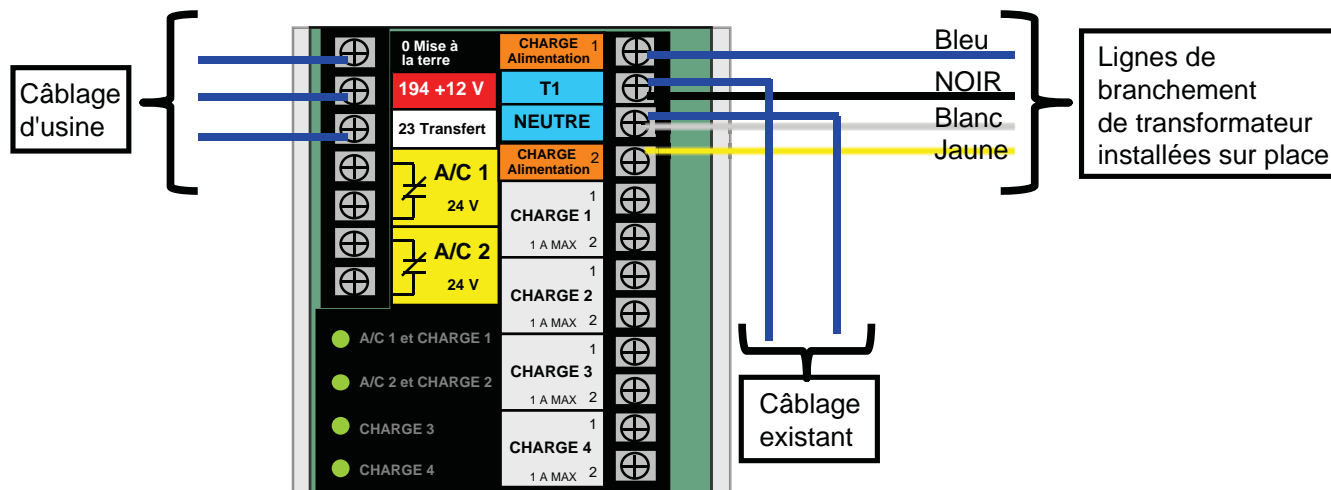
L'OPCB peut être alimenté par une source 24 V a.c. or 120 V a.c. Une source 24 V a.c. provient d'un transformateur de Classe 2, qui peut être acheté du fabricant. Des trous de montage sont présents dans le boîtier pour l'installation du transformateur. L'alimentation 120 V a.c. est associée à un fusible de 5 A qui est connecté en usine à la borne « T1 et NEUTRE » de l'OPCB.

2.6.1 ALIMENTATION 24 V A.C.

Les connexions du transformateur doivent être effectuées selon ce qui est indiqué à la figure 2.3.

- Fil bleu - OPCB; Borne « CHARGE, SOURCE 1 »
- Fil noir - OPCB; Borne « T1 »
- Fil blanc - OPCB; Borne « NEUTRE »
- Fil jaune - OPCB; Borne « CHARGE, SOURCE 2 »

Figure 2.3 — Connexions d'alimentation 24 V a.c.



2.6.2 ALIMENTATION 120 V A.C.

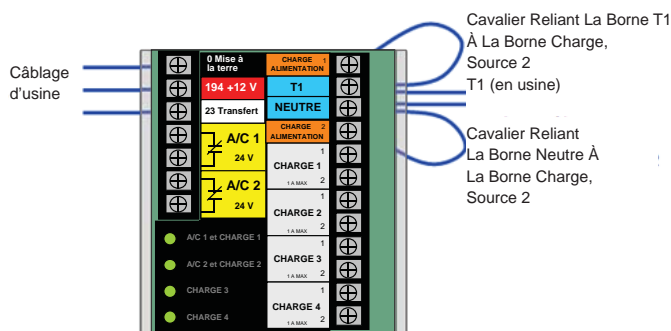
Installez les cavaliers suivant sur l'OPCB (figure 2.4).

- Charge, Source 1 à T1
- Charge, Source 2 à Neutre

⚠ ATTENTION!

⚠ **A tension de la charge des bornes de l'OPCB doit correspondre à celle de la bobine du contacteur du PPM, sinon, cela risque d'endommager l'équipement.**

Figure 2.4 — Connexions de l'alimentation 120 V a.c.



3.1 TESTS DE FONCTIONNEMENT ET RÉGLAGES

Après le montage du commutateur de transfert et les connexions, inspectez l'installation attentivement. Un électricien compétent et qualifié doit procéder à la vérification. L'installation doit être conforme à tous les codes, à toutes les normes et à toutes les réglementations. Lorsque vous êtes assurés que l'installation est adéquate, réalisez les tests de fonctionnement du système.

⚠ ATTENTION!

⚠ **Respectez strictement l'ordre qui suit pour réaliser ces tests de fonctionnement, sinon, vous risquez d'endommager le commutateur.**

IMPORTANT : avant de réaliser les tests de fonctionnement, lisez attentivement toutes les directives et toute l'information de la présente section. Assurez-vous de bien comprendre ce qui y est présenté. Lisez également l'information et les directives des étiquettes et des autocollants qui sont apposés sur le commutateur. Veillez noter toutes les options ou les accessoires qui sont installés et examinez leur fonctionnement.

3.2 FONCTIONNEMENT MANUEL

⚠ DANGER!

⚠ **N'effectuez pas un transfert manuel avec des charges. Déconnectez le commutateur de transfert de toute source d'énergie au moyen des méthodes approuvées, comme en utilisant le disjoncteur du circuit principal.**

Un levier pour les commandes manuelles est fourni avec le commutateur de transfert. L'utilisation manuelle doit être vérifiée AVANT que le commutateur de transfert soit alimenté. Pour vérifier le fonctionnement manuel, procédez de la manière suivante :

1. Placez le générateur à la position ARRÊT.
2. Placez à la position ARRÊT le disjoncteur du RÉSEAU PUBLIC et celui du GÉNÉRATEUR à partir du commutateur de transfert.
3. Notez la position des contacts du mécanisme de transfert en observant le déplacement du bras-support de contact. Cela peut s'observer le long de la mince fente à l'intérieur du couvercle du commutateur. La partie supérieure du bras est jaune et facilement repérable.
 - Déplacez manuellement le levier vers le HAUT - les bornes de charge (T1 et T2) sont reliées aux bornes du RÉSEAU PUBLIC (N1 et N2).
 - Déplacez manuellement le levier vers le BAS - les bornes de charge (T1 et T2) sont reliées aux bornes du SYSTÈME DE SECOURS (E1 et E2).

⚠ ATTENTION!

⚠ **N'utilisez pas une force excessive lors de l'utilisation du commutateur de transfert, car cela pourrait endommager le levier.**

3.2.1 FERMETURE DE L'ALIMENTATION DU RÉSEAU PUBLIC

Avant de fermer l'alimentation du réseau public, vérifiez la position du commutateur en observant la position du levier manuel de la figure 3.1. Si le levier est RELEVÉ, les contacts sont fermés et le générateur se trouve en position NORMALE. Aucune autre action n'est nécessaire. Si le levier est ABAISSÉ, procédez à l'étape 1.

Étape 1 : après avoir inséré le levier dans l'emplacement à cet effet du bras-support, déplacez le levier vers le HAUT. Assurez de retenir le levier, car il se déplacera rapidement après avoir parcouru la moitié de sa course.

Étape 2 : retirez le levier du fonctionnement manuel du bras-support. Remplacez le levier à son emplacement d'entreposage.

3.2.2 FERMETURE DE L'ALIMENTATION DU GÉNÉRATEUR

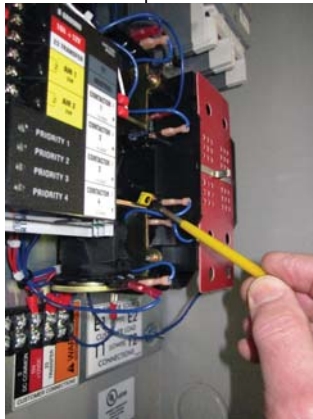
Avant de fermer l'alimentation du générateur, vérifiez la position du commutateur en observant la position du levier manuel de la figure 3.1. Si le levier est ABAISSÉ, les contacts sont fermés et le générateur se trouve en position SYSTÈME DE SECOURS. Aucune autre action n'est nécessaire. Si le levier est RELEVÉ, procédez à l'étape 1.

Étape 1 : après avoir inséré le levier dans l'emplacement à cet effet du bras-support, déplacez le levier vers le BAS. Assurez de retenir le levier, car il se déplacera rapidement après avoir parcouru la moitié de sa course.

Étape 2 : retirez le levier du fonctionnement manuel du bras-support. Remplacez le levier à son emplacement d'entreposage.

Figure 3.1 — Activation du commutateur de transfert

Fixez le levier à l'arbre d'entraînement.



REMARQUE : remplacez le levier à la position d'entreposage dans le boîtier lorsque le transfert manuel est terminé.

BAISSEZ le levier pour la position NORMALE (RÉSEAU PUBLIC).



LEVEZ le levier pour la position d'URGENCE (SYSTÈME DE SECOURS).

3.2.3 RETOUR À L'ALIMENTATION DU RÉSEAU PUBLIC

Étape 1 : actionnez manuellement le commutateur afin de positionner le levier du fonctionnement manuel vers le haut.

Étape 2 : retirez le levier du fonctionnement manuel du bras-support. Remplacez le levier à son emplacement d'entreposage.

3.3 VÉRIFICATION DE LA TENSION

1. Placez l'alimentation du RÉSEAU PUBLIC à la position MARCHÉ du commutateur de transfert en utilisant le DISJONCTEUR DU RÉSEAU PUBLIC.

⚠ DANGER!

⚠ FAITES PREUVE DE PRUDENCE. LE COMMUTATEUR DE TRANSFERT EST DÉSORMAIS ALIMENTÉ. UN CONTACT AVEC LES BORNES ALIMENTÉES EST EXTRÊMEMENT DANGEREUX ET PEUT PRODUIRE UNE DÉCHARGE ÉLECTRIQUE POTENTIELLEMENT MORTELLE.

2. Au moyen d'un voltmètre alternatif précis, vérifiez les tensions. Mesurez, à partir des languettes de contact du commutateur de transfert, la tension des bornes N1 à N2. Vérifiez également la tension des bornes N1 à NEUTRE et N2 à NEUTRE.
3. Lorsque vous avez vérifié que la tension de la source du réseau public est correcte et compatible au commutateur de transfert, placez le commutateur de transfert à la position ARRÊT pour la source du réseau public.
4. Positionnez le générateur en mode MANUEL. Le générateur devrait se lancer et démarrer.
5. Attendez au moins cinq minutes afin de laisser le temps au générateur de se stabiliser et de se réchauffer.
6. Positionner le disjoncteur principal du générateur (CB1) à la position MARCHÉ (FERMÉ).

⚠ DANGER!

⚠ FAITES PREUVE DE PRUDENCE. LA TENSION DE SORTIE DU GÉNÉRATEUR ALIMENTE MAINTENANT LES BORNES DU COMMUTATEUR DE TRANSFERT. UN CONTACT AVEC LES BORNES ALIMENTÉES EST EXTRÊMEMENT DANGEREUX ET PEUT PRODUIRE UNE DÉCHARGE ÉLECTRIQUE POTENTIELLEMENT MORTELLE.

7. Au moyen d'un voltmètre alternatif et d'un fréquencemètre, vérifiez la tension et la fréquence sans charge. Mesurez, à partir des languettes de contact du commutateur de transfert, la tension des bornes E1 à E2. Vérifiez également la tension des bornes E1 à NEUTRE et E2 à NEUTRE.
 - a. Fréquence..... 60-62 Hertz
 - b. Bornes E1 à E2 240-246 V a.c.
 - c. Bornes E1 à NEUTRE 120-123 V a.c.
 - d. Bornes E2 à NEUTRE 120-123 V a.c.
8. Placez le disjoncteur principal du générateur (CB1) à la position ARRÊT afin d'ouvrir le circuit.
9. Placez le générateur à la position ARRÊT afin de l'arrêter.

REMARQUE :

Ne commencez PAS tant que la tension du générateur a.c. et que la fréquence ne se trouvent dans les limites indiquées. Si la tension sans charge est correcte, mais la fréquence correspondante est inexacte, la vitesse régulée du moteur peut avoir besoin d'un ajustement. Si la fréquence sans charge est correcte, mais la tension est inexacte, le régulateur de tension peut avoir besoin d'un ajustement.

3.4 VÉRIFICATION DU GÉNÉRATEUR AVEC CHARGE

1. Placez le disjoncteur de la ligne principale du générateur à la position ARRÊT (OUVERT).
2. Placez le disjoncteur du réseau public à la position ARRÊT (OUVERT).
3. Actionnez manuellement les contacts du commutateur de transfert afin de positionner celui du GÉNÉRATEUR à la position SYSTÈME DE SECOURS. Consultez le Manuel d'utilisation.
4. Pour démarrer le générateur, mettez-le en mode MANUEL. Laissez le moteur fonctionner quelques minutes afin de lui permettre de se stabiliser.
5. Placez le disjoncteur du circuit principal du générateur à la position MARCHÉ (FERMÉ). Le générateur alimentera alors tous les circuits de charge. Vérifier le fonctionnement du générateur avec des charges de la façon suivante :
 - Alimentez les charges électriques à la puissance nominale (Watts et ampères) du générateur. NE PROVOQUEZ PAS DE SURCHARGE.
 - Lorsque le générateur fonctionne à sa puissance nominale, vérifiez la tension et la fréquence des bornes E1 et E2 du commutateur de transfert. La tension devrait être supérieure à 230 V a.c. et la fréquence devrait être supérieure à 59 Hz. Vérifiez également que la pression des gaz demeure acceptable (consultez le manuel du générateur).
 - Laissez le générateur fonctionner à charge nominale pendant au moins 30 minutes. Toujours lorsque l'unité est en fonction, soyez attentif afin de détecter des bruits inhabituels, des vibrations, une surchauffe, etc. Cela pourrait indiquer qu'il y a un problème.
6. Après la vérification à charge nominale, placez le disjoncteur du générateur à la position ARRÊT (OUVERT).
7. Laissez le générateur fonctionner sans charge pendant quelques minutes. Par la suite, arrêtez le générateur en le positionnant à la position ARRÊT.

3.5 VÉRIFICATION DU FONCTIONNEMENT AUTOMATIQUE

Pour vérifier le fonctionnement adéquat du système, procédez de la façon suivante :

1. Assurez-vous que le générateur est à la position ARRÊT.
2. Installez le couvercle avant du commutateur de transfert.
3. Ouvrez l'alimentation du réseau public au commutateur de transfert à l'aide des moyens prévus (tel qu'un disjoncteur principal de réseau public).

REMARQUE :

Le commutateur de transfert retournera à la position du réseau public.

4. Remplacez le disjoncteur du générateur à la position MARCHÉ (FERMÉ).
5. Activez le mode AUTO du générateur. Le système est maintenant prêt pour une utilisation en mode automatique.
6. Coupez l'alimentation du réseau public au commutateur de transfert.

Lorsque le générateur est en mode AUTO, le moteur se lance et démarre au moment où l'alimentation du réseau public est coupée (après un délai de 10 secondes; réglage en usine). Après le démarrage, le commutateur de transfert devrait relier les circuits de charge à la source de secours après un délai de cinq (5) secondes. Laissez le système réaliser le cycle complet de fonctionnement.

Lorsque le générateur fonctionne et lorsque les charges sont alimentées par la sortie a.c. du générateur, placez la source des services publics du commutateur de transfert à la position MARCHÉ. Voici ce qui devrait se produire :

- Après environ 15 secondes, le commutateur devrait retransférer les charges vers la source du réseau public.
- Après environ une minute suivant le retransfert, le moteur devrait s'arrêter. Si le générateur est en mode AUTO, le système est maintenant réglé pour un fonctionnement entièrement automatisé.

3.6 VÉRIFICATION DE L'OPCB (TABLEAU DE COMMANDE DE PRÉVENTION DE SURCHARGE)

Un bouton de vérification est situé au bas de l'OPCB afin de vérifier le fonctionnement des fonctions. Le bouton fonctionnera quand l'interrupteur de transfert est à la position Réseau public ou Générateur.

1. Activez la source du Réseau public à partir du commutateur de transfert.
2. Appuyez sur le bouton TEST de l'OPCB.
3. Vérifiez que toutes les charges connectées à délester sont désactivées. La méthode de vérification dépend du type de charge.
4. Après cinq (5) minutes, vérifiez que les DEL correspondant à AC 1 et à Charge 1 sont allumées.
5. Attendez encore 15 secondes et vérifiez que les DEL correspondant à AC 2 et à Charge 2 sont allumées.
6. Attendez encore 15 secondes et vérifiez que la DEL correspondant à Charge 3 est allumée.
7. Attendez encore 15 secondes et vérifiez que la DEL correspondant à Charge 4 est allumée.

3.7 RÉSUMÉ D'INSTALLATION

1. Assurez-vous que l'installation a été réalisée adéquatement, comme souligné dans la documentation du fabricant. Assurez-vous également de respecter les lois et codes applicables.
2. Vérifiez et confirmez le bon fonctionnement du système, comme souligné dans les sections appropriées du manuel d'installation et du manuel du propriétaire.
3. Formez les utilisateurs finaux de l'utilisation adéquate du système, de son entretien et des procédures pour les réparations.

Important! Si l'utilisateur final juge nécessaire de fermer le générateur pendant une période prolongée afin d'économiser du carburant, il doit connaître les étapes simples, mais importantes, suivantes :

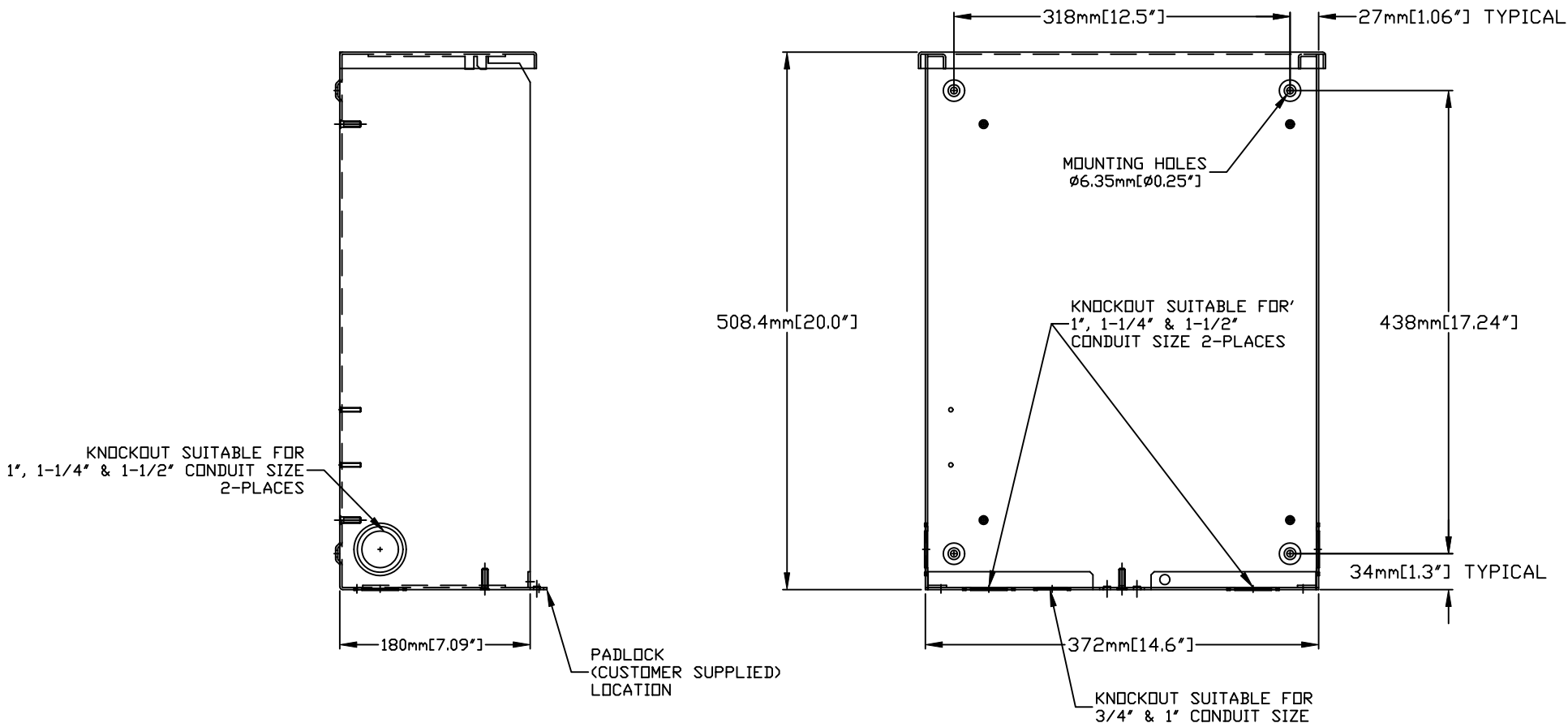
Pour placer le générateur à la position ARRÊT (lors d'un fonctionnement en mode AUTO et en ligne) :

1. Placez le disjoncteur du réseau public à la position ARRÊT (OUVERT).
2. Placez le disjoncteur du collecteur (MLCB) du générateur à la position ARRÊT (OUVERT).
3. Placez le générateur à la position ARRÊT.

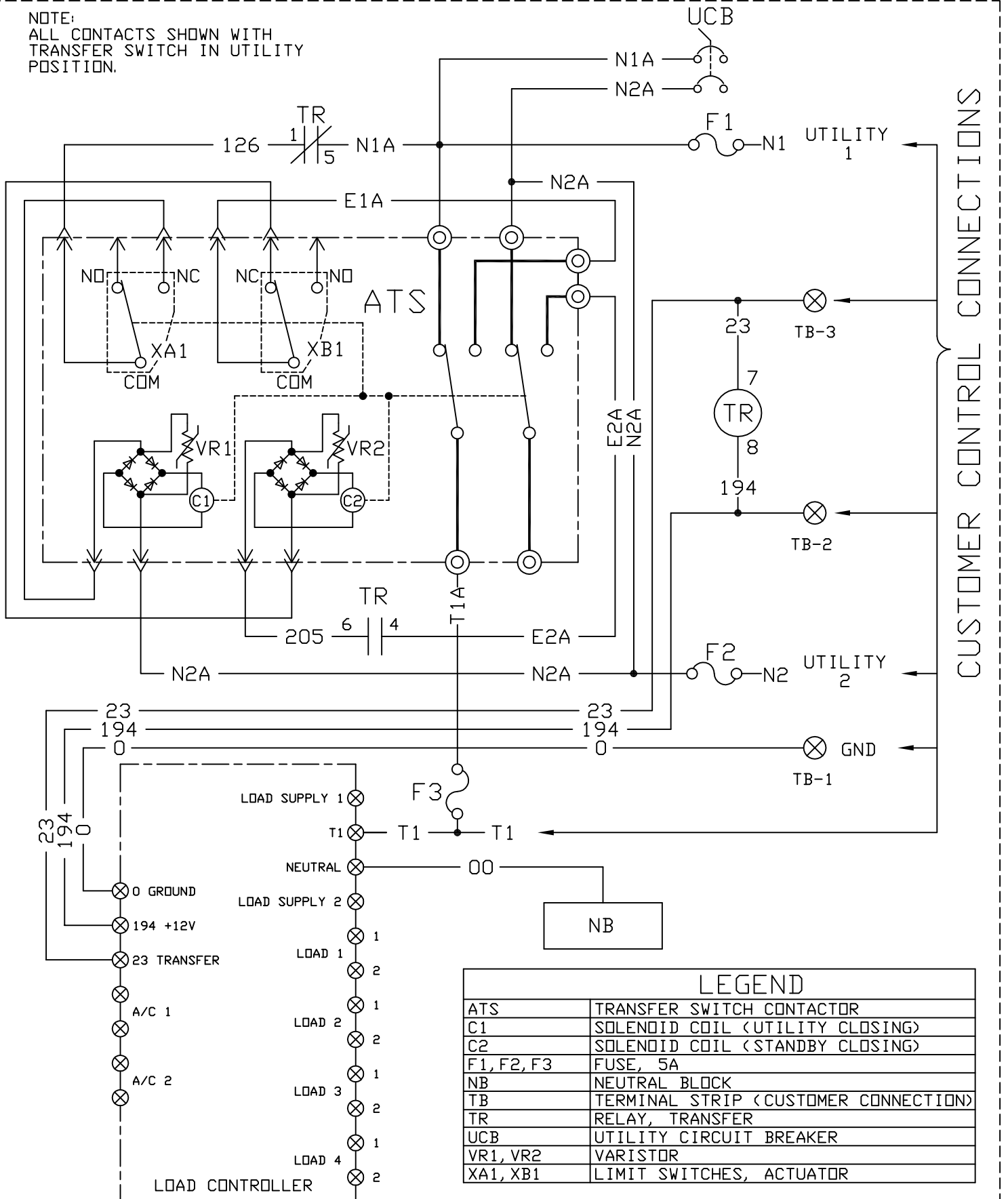
Pour remettre le générateur à la position MARCHÉ :

1. Mettez le générateur en mode AUTO, démarrez le moteur et laissez-le se réchauffer quelques minutes.
2. Placez le disjoncteur du collecteur (MLCB) du générateur à la position MARCHÉ (FERMÉ).

Le système sera alors en fonction en mode AUTO. Le disjoncteur principal du réseau peut être positionné à la position MARCHÉ (FERMÉ). Toutefois, pour éteindre l'unité, l'ensemble du processus doit être répété.



NOTE:
ALL CONTACTS SHOWN WITH
TRANSFER SWITCH IN UTILITY
POSITION.



LEGEND	
ATS	TRANSFER SWITCH CONTACTOR
C1	SOLENOID COIL (UTILITY CLOSING)
C2	SOLENOID COIL (STANDBY CLOSING)
F1, F2, F3	FUSE, 5A
NB	NEUTRAL BLOCK
TB	TERMINAL STRIP (CUSTOMER CONNECTION)
TR	RELAY, TRANSFER
UCB	UTILITY CIRCUIT BREAKER
VR1, VR2	VARISTOR
XA1, XB1	LIMIT SWITCHES, ACTUATOR

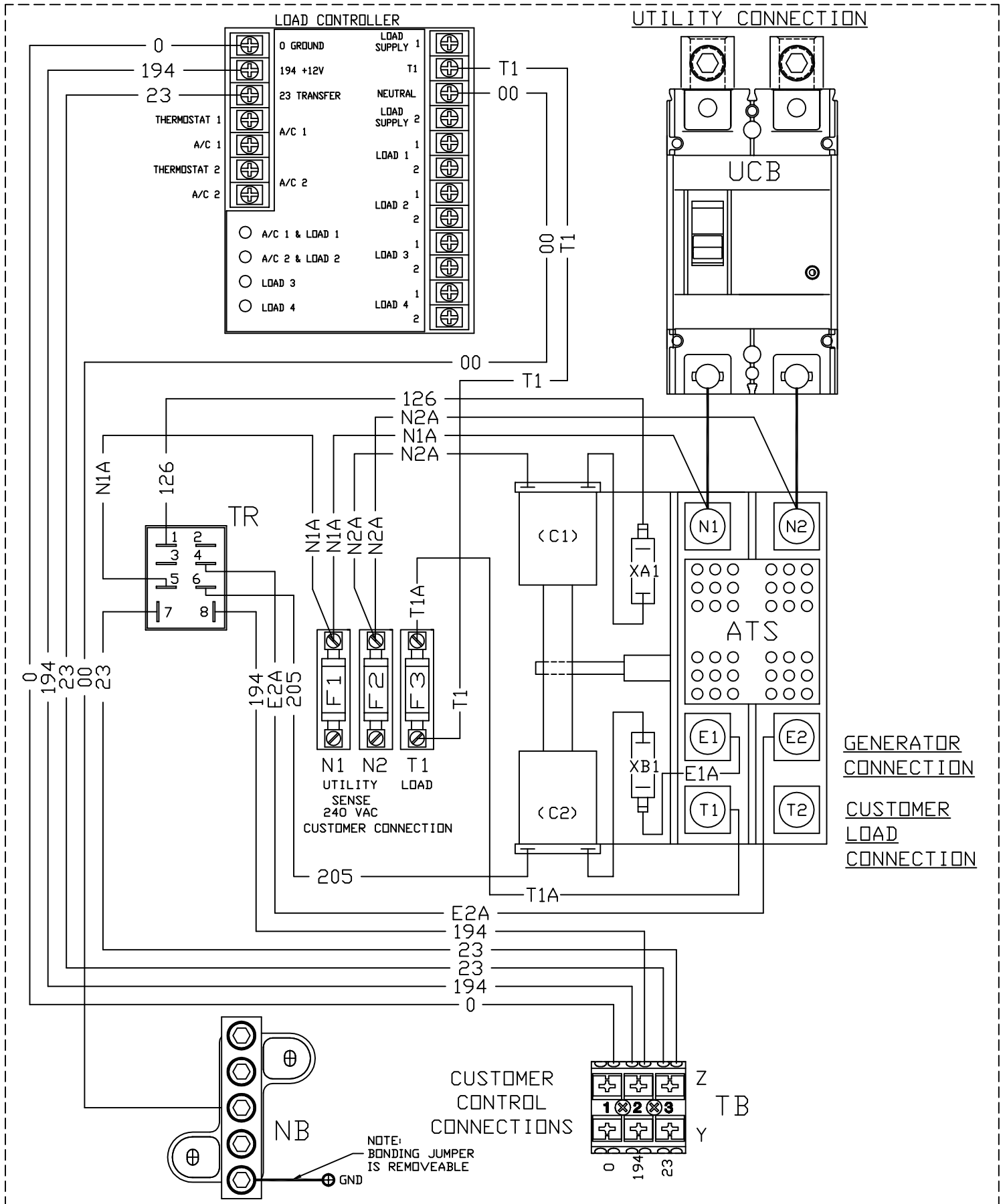
SCHEMATIC - DIAGRAM

RTSY 2013

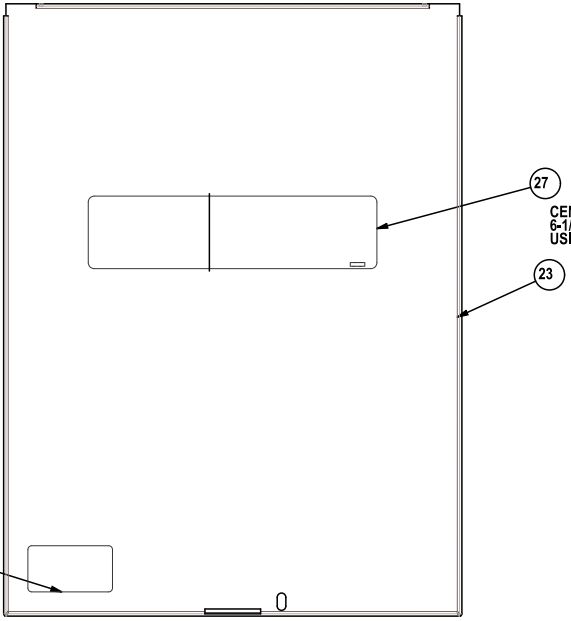
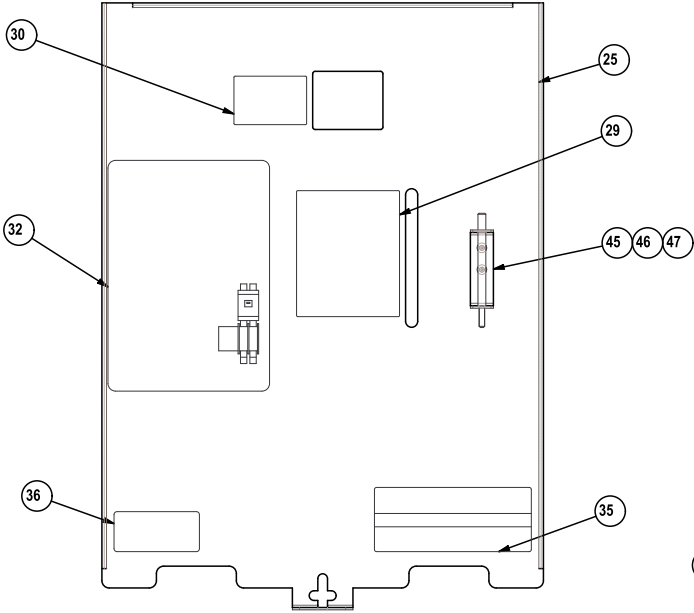
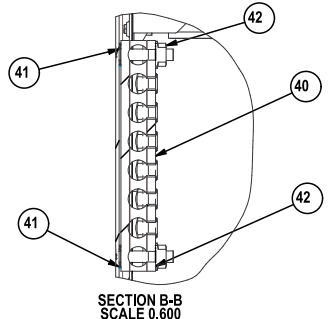
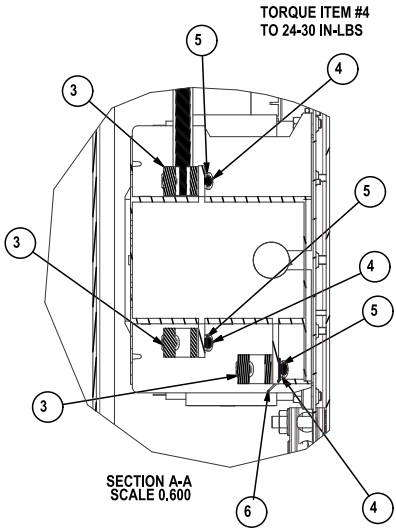
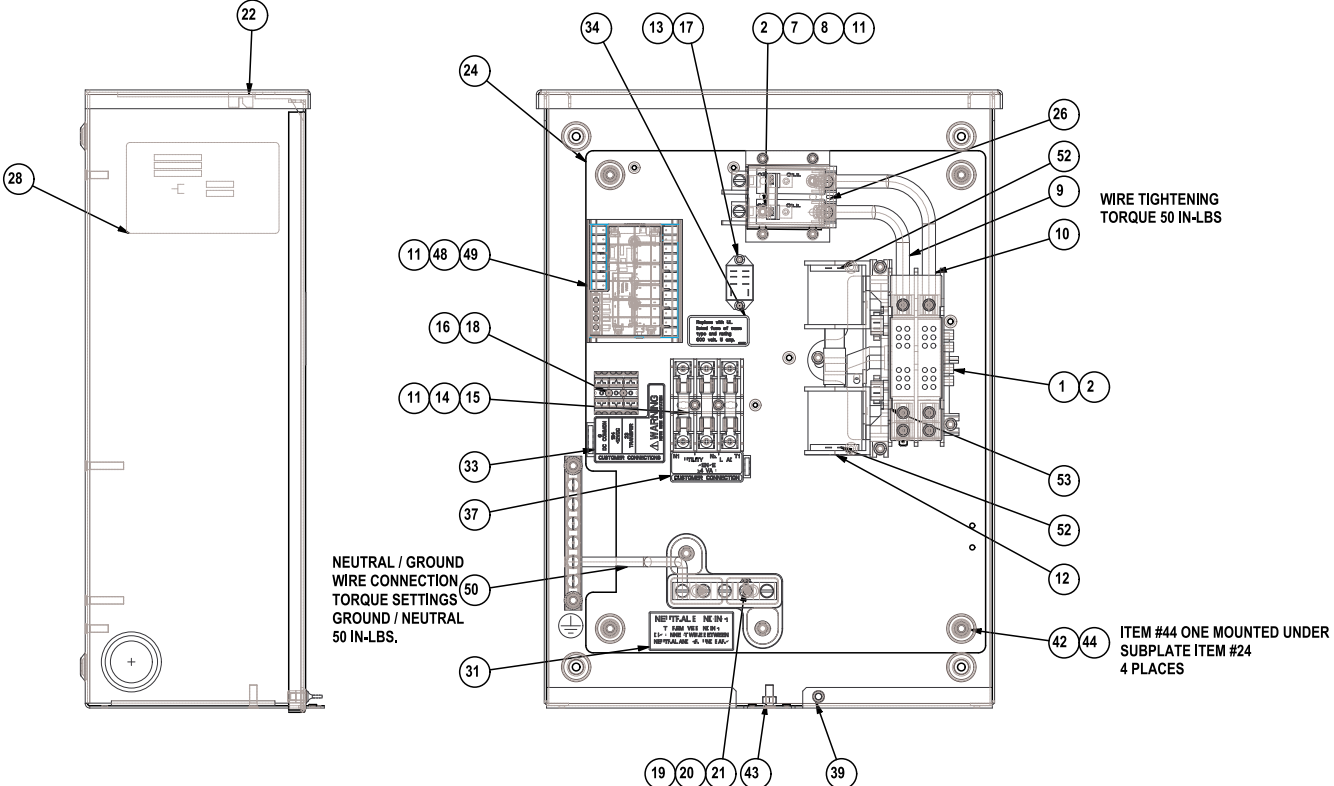
DRAWING #: 0K0135

REVISION: J-5049-C

DATE: 4/22/13



GROUP G



EXPLODED VIEW: ASSEMBLY 100A SERVICE ENTR GEN

DRAWING #: 0K0164A

GROUP G

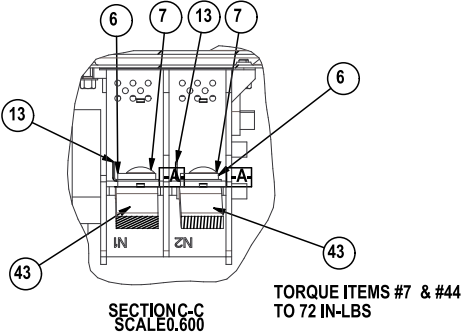
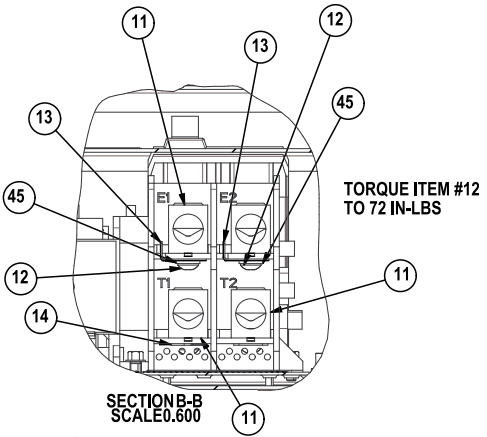
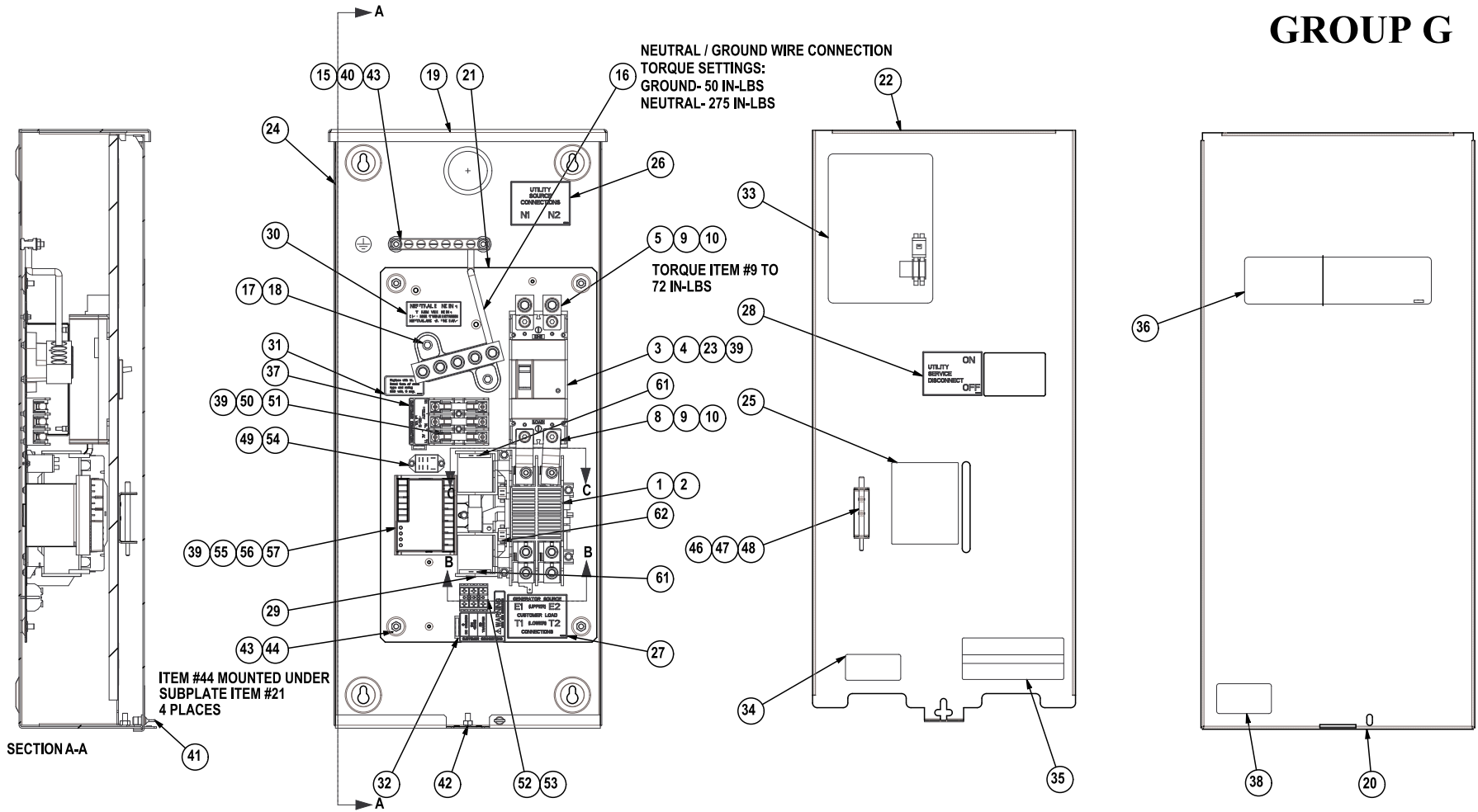
ITEM	PART#	QTY.	DESCRIPTION
1	0C2237	1	XFRSW HSB 100A 2P 250V
2	074908	6	SCREW HHTT M5-0.8 X 10 BP
3	077033	6	LUG SLDLSS 1/0-#14X9/16 AL/CU
4	0G7624	6	SCREW PPHM #10-32 X 5/16
5	022152	6	WASHER LOCK #10
6	074138	1	LUG DIS QK NI-S 10X45 DEG BR/T
7	0E7886H	1	CB 0100A 2P 240V S BQ2 LB
8	0E7890	1	BRKT CB MTG BACK
9	0G5780A	1	ASSY WIRE 2AWG 5.375" #N1A BLK
10	0G5780B	1	ASSY WIRE 2AWG 6.875" #N2A BLK
11	0A1495	8	SCREW HHTT M4-0.7 X 10 BP
12	0C2380	1	DECAL TRANSFER SWITCH ID 100A
(2)13	0K0103	1	RELAY PNL 12VDC DPDT 10A@240VA
(2)14	0D2572	1	FUSEBLOCK 30A 600V 3POS W/SQ
15	073590A	3	FUSE 5A X BUSS
(2)16	0D7393T	1	TERM BLOCK 3P UL 12-20AWG
17	0F2659	2	SCREW HHTT M3-0.5 X 6 BP
18	0K0124	2	SCREW PHTT M3-0.5 X 25
19	0K0108	1	ASSY-NEUT BLK 100A
20	090388	2	SCREW HHTT M6-1.0 X 12 ZINC
21	026902	1	SCREW HHTT #8-32 X 1/4 CZ
22	0K01120AL0R	1	ENCLOSURE 100/200A XFER SW_RAW
23	0K01130AL0R	1	COVER 100A XFER SWITCH_INST_RAW
24	0K0114	1	SUBPLATE,100/200A XFER SW
25	0K11120AL0R	1	COVER INSIDE 100A SE GRAY_RAW
26	0K1119	1	RISER 100A SERV ENT
(1)27	0K1098	1	DECAL RTS TRANSFER SW GENERAC
(1)28	0K1736A	1	DECAL,XFER SW SE 100A 120/240
29	0E3484	1	DECAL WARN MANUAL OPER HANDLE
30	0F9969	1	DECAL UTILITY DISCONNECT
31	0K1018	1	DECAL, NEUTRAL CONNECTION
32	0K1738	1	DECAL TEST SEQUENCE 100-200A SE
33	0H7917	1	DECAL CUSTOMER CONN RTS
34	0D3587	1	DECAL, FUSE REPLACEMENT
35	0G3259	1	DECAL TERMINAL SHOCK HZD BI
36	0G3274	1	DECAL LIVE CIRCUIT ENG/FRN/SPN
37	0H6389	1	DECAL UTILITY LOAD SENSE 240V
38	0H7274	1	DECAL 2008 NEC COMPLIANCE
39	0E7213	1	SCREW THUMB 1/4-20 X1/2 W/SHLD
40	0J8202	1	LUG SLDLSS 2/0-#14X#10-32X.125
41	026850	2	WASHER LOCK EXT 1/4 STL
42	0G8411	6	NUT HEX FL WHIZ 1/4-20
43	085889	1	NUT HEX 1/4-20 SS
44	022473	4	WASHER FLAT 1/4-M6 ZINC
45	0E6193	1	BRACKET, ARM EXTENDER
46	0D6162	2	RIVET POP .156 X .362 AL
(3)47	0E6155	1	PIN ARM EXTENDER
48	0H7270	1	CHANNEL SNAPTRACK 76.2 X 101.2
49	0K0220A	1	ASSY LOAD MANAGEMENT CONTROLLER PROGRAMMED
50	0K1167	1	WIRE NEUTRAL TO GROUND CONNECTION
51	0K0122	1	WIRING HARNESS HSB (NOT SHOWN)
52	0E6303	1	WIRE-A
53	0E6303C	1	WIRE-E1
54	058000E	1	NUT TRIC 1/4-20 X .525

(1) SERIAL NUMBER AND FRONT DECAL PER MODEL

(2) SUPPLIED WITH HARNESS ITEM #51

(3) SUPPLIED WITH TRANSFER SWITCH

GROUP G



EXPLODED VIEW: ASSEMBLY 150A SERVICE ENTR GEN

DRAWING #: 0K0165A

GROUP

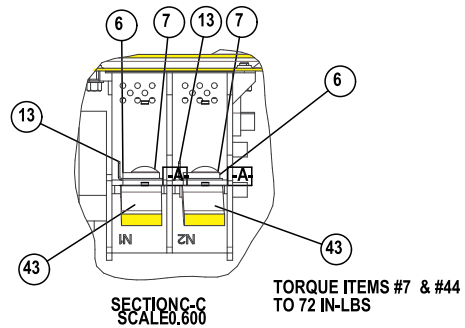
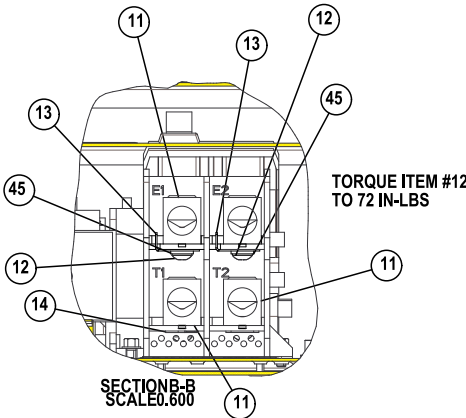
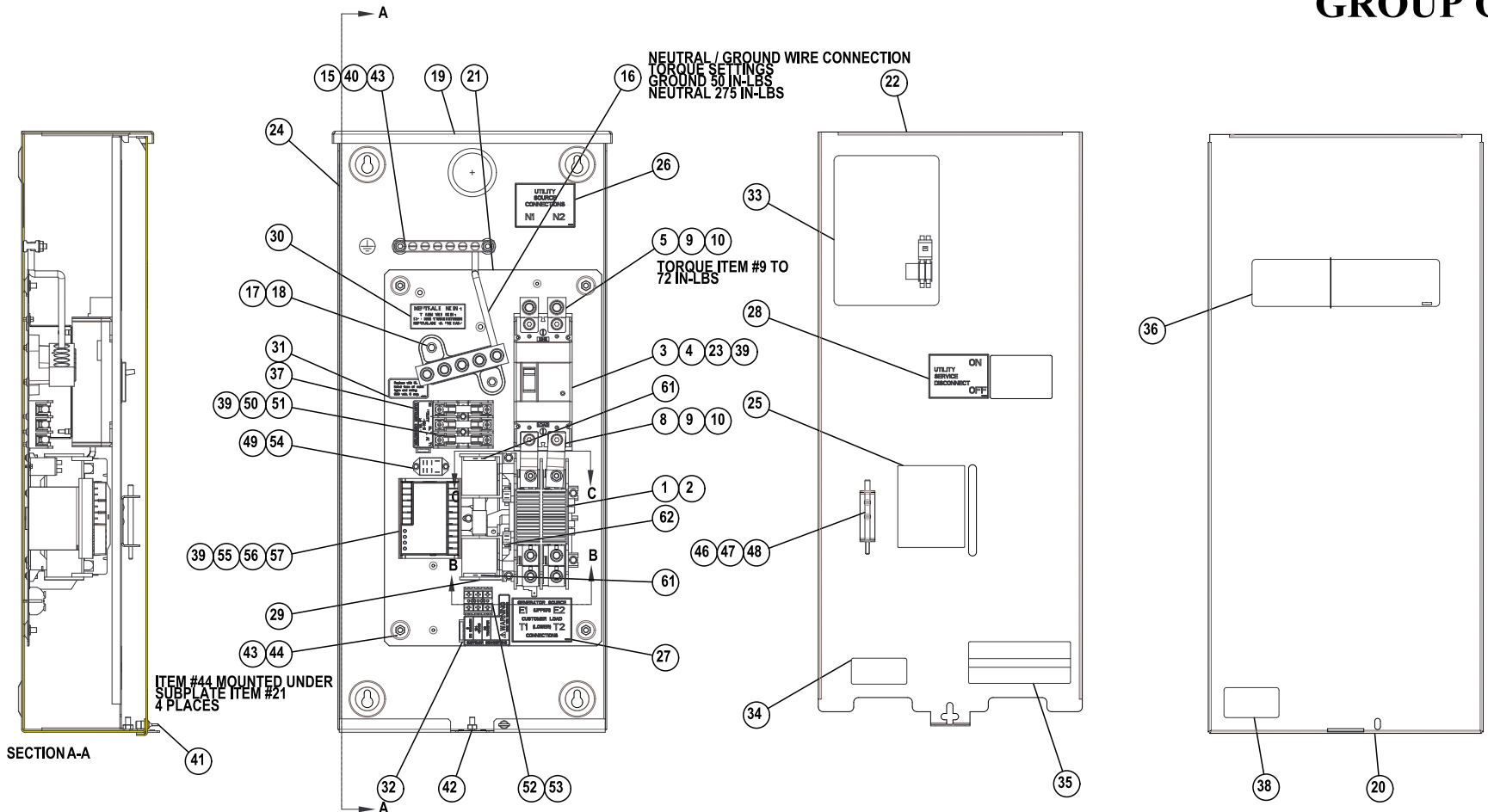
ITEM	PART#	QTY.	DESCRIPTION
1	0D9618	1	XFRSW HSB 200A 2P 250V
2	074908	5	SCREW HHTT M5-0.8 X 10 BP
3	0K0971	1	CB 150A 2POLE 240V 225AF
4	0K0973	2	SCREW RHM #8-32 X 2-1/2
5	0H6306	2	LUG SLDLSS 350 MCM-6 AL/CU
6	0G4413	2	SPACER,200 AMP TRANSFER SWITCH
7	024334	2	BOLT CARR 1/4-20 X 1
8	0K0130	2	BUSBAR 200A TRANSFER SW N1,N2
9	049897	4	SCREW SHC M8-1.25 X 20 G8
10	022129	4	WASHER LOCK M8-5/16
11	0E3375	4	LUG SLDLSS 250-#6 AL/CU
12	0F1252	4	SCREW BHSC 1/4-20 X 3/8
(3)13	0E6033	4	90 DEGREE DN SPADE CONNECTOR
14	0E6034	1	STRAIGHT SPADE CONNECTOR
15	0J8202	1	LUG SLDLSS 2/0-#14X#10-32X.125
16	0K1081	1	WIRE NEUTRAL/GND CONNECTION
17	0K0108A	1	ASSY-NEUT BLK 200A W/TAP
18	090388	2	SCREW HHTT M6-1.0 X 12 ZINC
19	0K01170AL0R	1	ENCLOSURE 200A SE XFRSW RAW
20	0K01180AL0R	1	COVER,200A SE XFRSW RAW
21	0K0119	1	SUBPLATE,200A SE XFER SW
22	0K01310AL0R	1	COVER INSIDE 200A SE XFER SW RAW
23	0K0132	1	CB RISER BRACKET 200A GENERAC
(1)24	0K1736B	1	DECAL,XFER SW SE 150A 120/240
25	0E3484	1	DECAL WARN MANUAL OPER HANDLE
26	0G9651A	1	DECALS, SERVICE ENTRANCE
27	0G9651B	1	DECALS, SERVICE ENTRANCE
28	0G9651C	1	DECALS, SERVICE ENTRANCE
29	0G8535	1	DECAL TRANSFER SWITCH ID 200A
30	0K1018	1	DECAL, NEUTRAL CONNECTION
31	0D3587	1	DECAL, FUSE REPLACEMENT
32	0H7917	1	DECAL CUSTOMER CONN RTS
33	0K1738	1	DECAL TEST SEQUENCE 100-200A SE
34	0G3274	1	DECAL LIVE CIRCUIT ENG/FRN/SPN
35	0G3259	1	DECAL TERMINAL SHOCK HZD BI
36	0K1098	1	DECAL RTS TRANSFER SW GENERAC
(1)37	0H6389	1	DECAL UTILITY LOAD SENSE 240V
38	0H7274	1	DECAL 2008 NEC COMPLIANCE
39	0A1495	8	SCREW HHTT M4-0.7 X 10 BP
40	026850	2	WASHER LOCK EXT 1/4 STL
41	0E7213	1	SCREW THUMB 1/4-20 X1/2 W/SHLD
42	085889	1	NUT HEX 1/4-20 SS
43	0G8411	8	NUT HEX FL WHIZ 1/4-20
44	022473	4	WASHER FLAT 1/4-M6 ZINC
45	022097	4	WASHER LOCK M6-1/4
46	0E6193	1	BRACKET, ARM EXTENDER
47	0D6162	2	RIVET POP .156 X .362 AL
(3)48	0E6155	1	PIN ARM EXTENDER
49	0K0103	1	RELAY PNL 12VDC DPDT 10A@240VA
(2)50	0D2572	1	FUSEBLOCK 30A 600V 3POS W/SQ
(2)51	073590A	3	FUSE 5A X BUSS
(2)52	0D7393T	1	TERM BLOCK 3P UL 12-20AWG
53	0K0124	2	SCREW PHTT M3-0.5 X 25
54	0F2659	2	SCREW HHTT M3-0.5 X 6 BP
55	0H7190	1	BRACKET LOAD SHED 200A RTS
56	0H7270	1	CHANNEL SNAPTRACK 76.2 X 101.2
57	0K0220A	1	ASSY LOAD MANAGEMENT CONTROLLER PROGRAMMED
58	064761	4	TIE WRAP UL 5.6 X .10 NATL (NOT SHOWN)
59	0K0123	1	HARN 200A XFER SW SE 2010 (NOT SHOWN)
60	0E6303	2	WIRE A 7.0" BLUE
61	0E6303B	1	WIRE E1 3.0" BLUE

(1) SERIAL NUMBER AND FRONT DECAL PER MODEL

(2) SUPPLIED WITH HARNESS ITEM #59

(3) SUPPLIED WITH TRANSFER SWITCH

GROUP G



EXPLODED VIEW: ASSEMBLY 200A SERVICE ENTR GEN

DRAWING #: 0K0166A

GROUP G

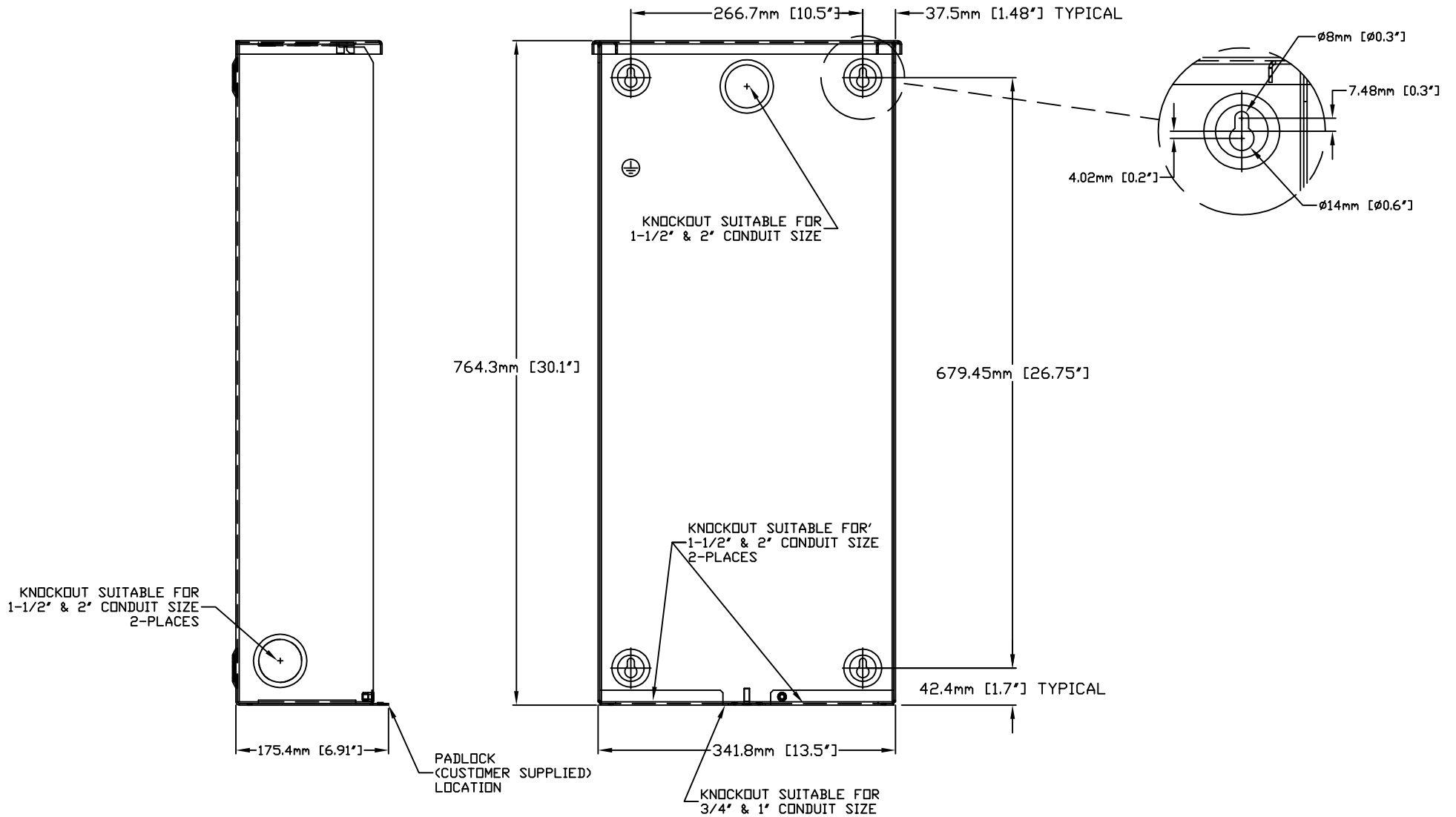
ITEM	PART#	QTY.	DESCRIPTION
1	0D9618	1	XFRSW HSB 200A 2P 250V
2	074908	5	SCREW HHTT M5-0.8 X 10 BP
3	0K0133	1	CB 200A 2POLE 240V 225AF
4	0K0973	2	SCREW RHM #8-32 X 2-1/2
5	0H6306	2	LUG SLDLSS 350 MCM-6 AL/CU
6	0G4413	2	SPACER,200 AMP TRANSFER SWITCH
7	024334	2	BOLT CARR 1/4-20 X 1
8	0K0130	2	BUSBAR 200A TRANSFER SW N1,N2
9	049897	4	SCREW SHC M8-1.25 X 20 G8
10	022129	4	WASHER LOCK M8-5/16
11	0E3375	4	LUG SLDLSS 250-#6 AL/CU
12	0F1252	4	SCREW BHSC 1/4-20 X 3/8
(3)13	0E6033	4	90 DEGREE DN SPADE CONNECTOR
14	0E6034	1	STRAIGHT SPADE CONNECTOR
15	0J8202	1	LUG SLDLSS 2/0-#14X#10-32X.125
16	0K1081	1	WIRE NEUTRAL/GND CONNECTION
17	0K0108A	1	ASSY-NEUT BLK 200A W/TAP
18	090388	2	SCREW HHTT M6-1.0 X 12 ZINC
19	0K01170AL0R	1	ENCLOSURE 200A SE XFRSW RAW
20	0K01180AL0R	1	COVER,200A SE XFRSW RAW
21	0K0119	1	SUBPLATE,200A SE XFER SW
22	0K01310AL0R	1	COVER INSIDE 200A SE XFER SW RAW
23	0K0132	1	CB RISER BRACKET 200A GENERAC
(1)24	0K1736C	1	DECAL,XFER SW SE 200A 120/240
25	0E3484	1	DECAL WARN MANUAL OPER HANDLE
26	0G9651A	1	DECALS, SERVICE ENTRANCE
27	0G9651B	1	DECALS, SERVICE ENTRANCE
28	0G9651C	1	DECALS, SERVICE ENTRANCE
29	0G8535	1	DECAL TRANSFER SWITCH ID 200A
30	0K1018	1	DECAL, NEUTRAL CONNECTION
31	0D3587	1	DECAL, FUSE REPLACEMENT
32	0H7917	1	DECAL CUSTOMER CONN RTS
33	0K1738	1	DECAL TEST SEQUENCE 100-200A SE
34	0G3274	1	DECAL LIVE CIRCUIT ENG/FRN/SPN
35	0G3259	1	DECAL TERMINAL SHOCK HZD BI
36	0K1098	1	DECAL RTS TRANSFER SW GENERAC
(1)37	0H6389	1	DECAL UTILITY LOAD SENSE 240V
38	0H7274	1	DECAL 2008 NEC COMPLIANCE
39	0A1495	8	SCREW HHTT M4-0.7 X 10 BP
40	026850	2	WASHER LOCK EXT 1/4 STL
41	0E7213	1	SCREW THUMB 1/4-20 X1/2 W/SHLD
42	085889	1	NUT HEX 1/4-20 SS
43	0G8411	8	NUT HEX FL WHIZ 1/4-20
44	022473	4	WASHER FLAT 1/4-M6 ZINC
45	022097	4	WASHER LOCK M6-1/4
46	0E6193	1	BRACKET, ARM EXTENDER
47	0D6162	2	RIVET POP .156 X .362 AL
(3)48	0E6155	1	PIN ARM EXTENDER
49	0K0103	1	RELAY PNL 12VDC DPDT 10A@240VA
(2)50	0D2572	1	FUSEBLOCK 30A 600V 3POS W/SQ
(2)51	073590A	3	FUSE 5A X BUSS
(2)52	0D7393T	1	TERM BLOCK 3P UL 12-20AWG
53	0K0124	2	SCREW PHTT M3-0.5 X 25
54	0F2659	2	SCREW HHTT M3-0.5 X 6 BP
55	0H7190	1	BRACKET LOAD SHED 200A RTS
56	0H7270	1	CHANNEL SNAPTRACK 76.2 X 101.2
57	0K0220A	1	ASSY LOAD MANAGEMENT CONTROLLER PROGRAMMED
58	064761	4	TIE WRAP UL 5.6 X .10 NATL (NOT SHOWN)
59	0K0123	1	HARN 200A XFER SW SE 2010 (NOT SHOWN)
60	0E6303	2	WIRE A 7.0" BLUE
61	0E6303B	1	WIRE E1 3.0" BLUE

(1) SERIAL NUMBER AND FRONT DECAL PER MODEL

(2) SUPPLIED WITH HARNESS ITEM #59

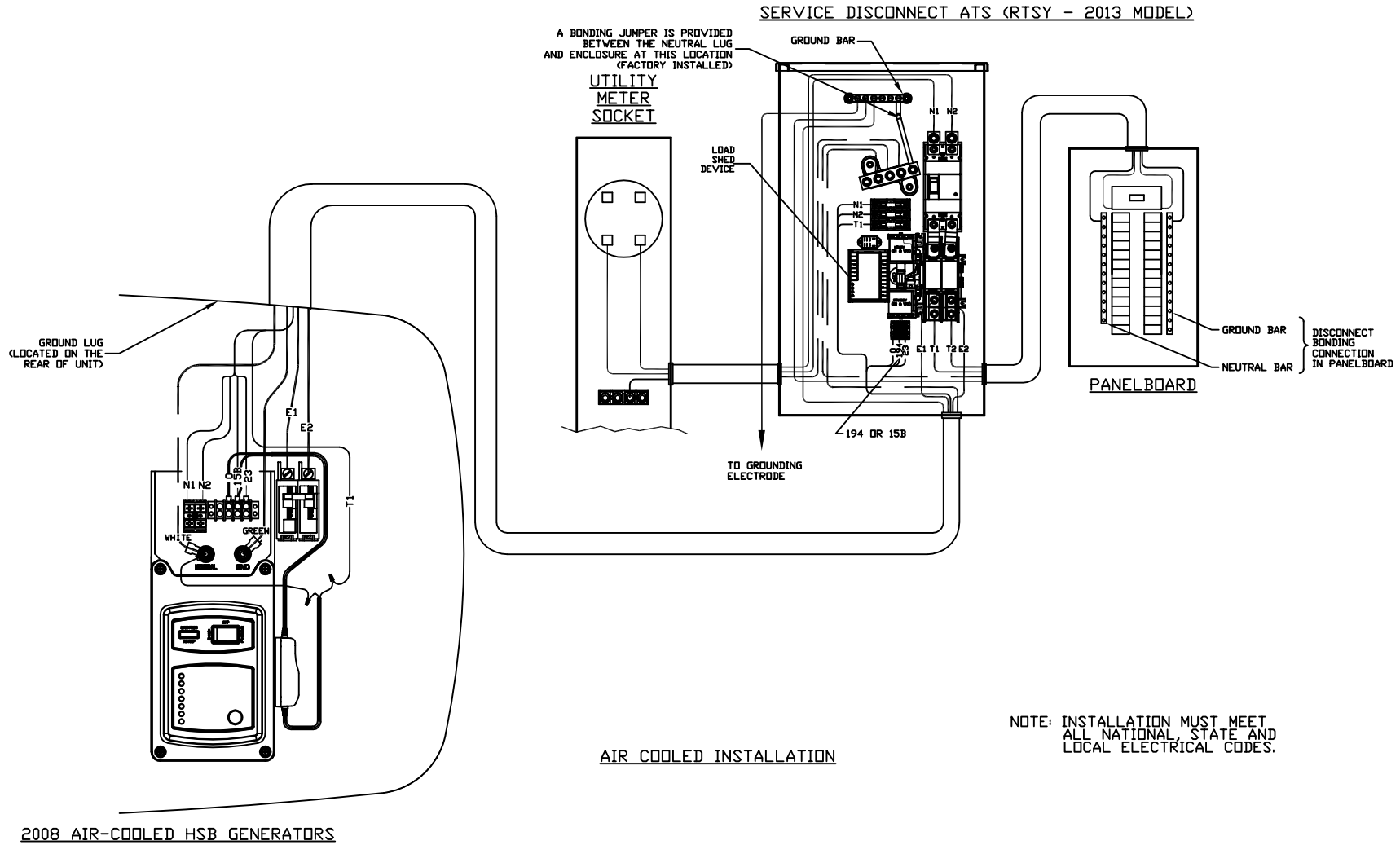
(3) SUPPLIED WITH TRANSFER SWITCH

GROUP G



THIS PAGE IS LEFT INTENTIONALLY BLANK

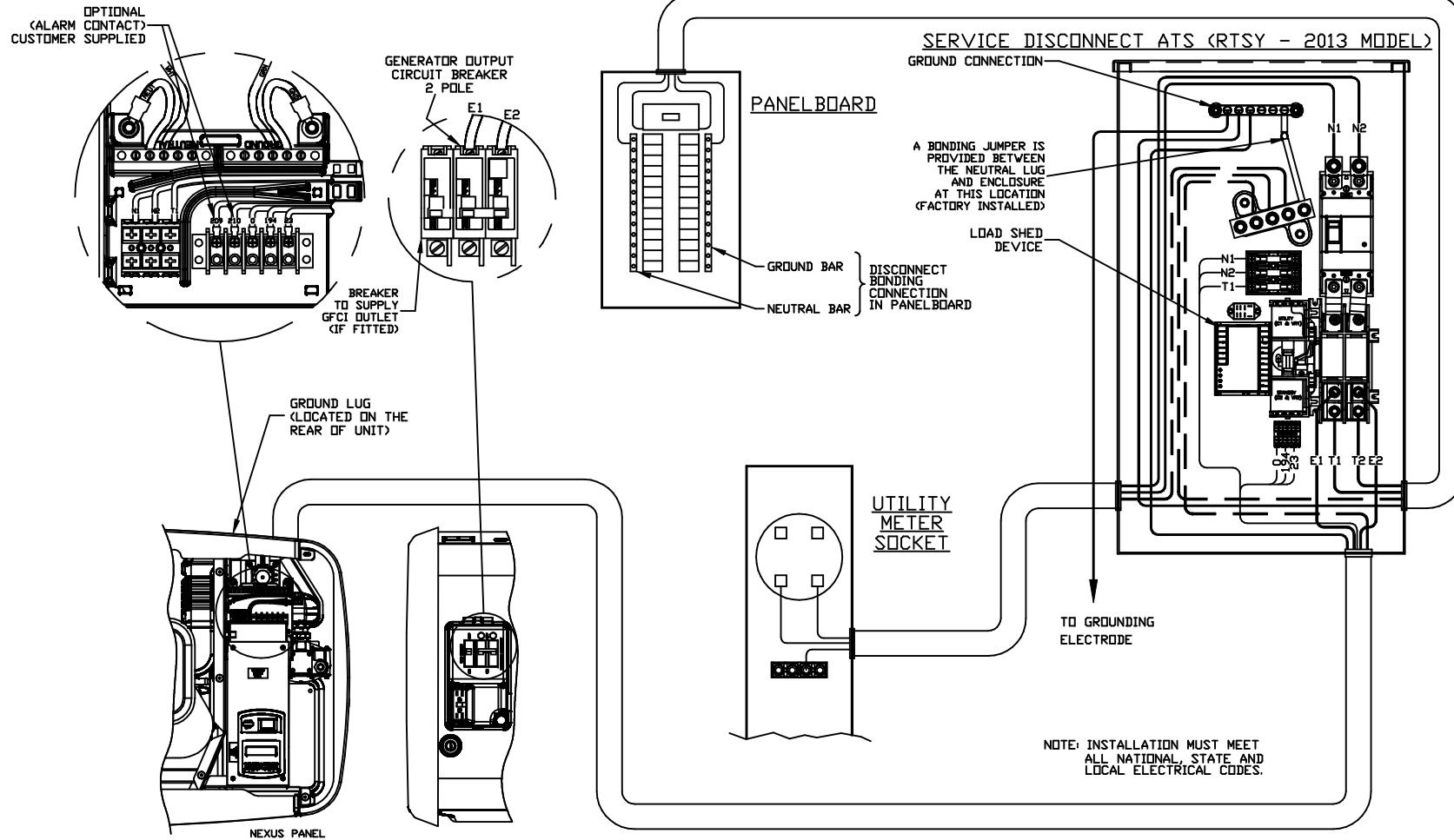
GROUP G



EXPLODED VIEW AIR COOLED INSTALLATION RTSY TRANSFER SW
DRAWING #0K2423
APPLICABLE TO:

GROUP G

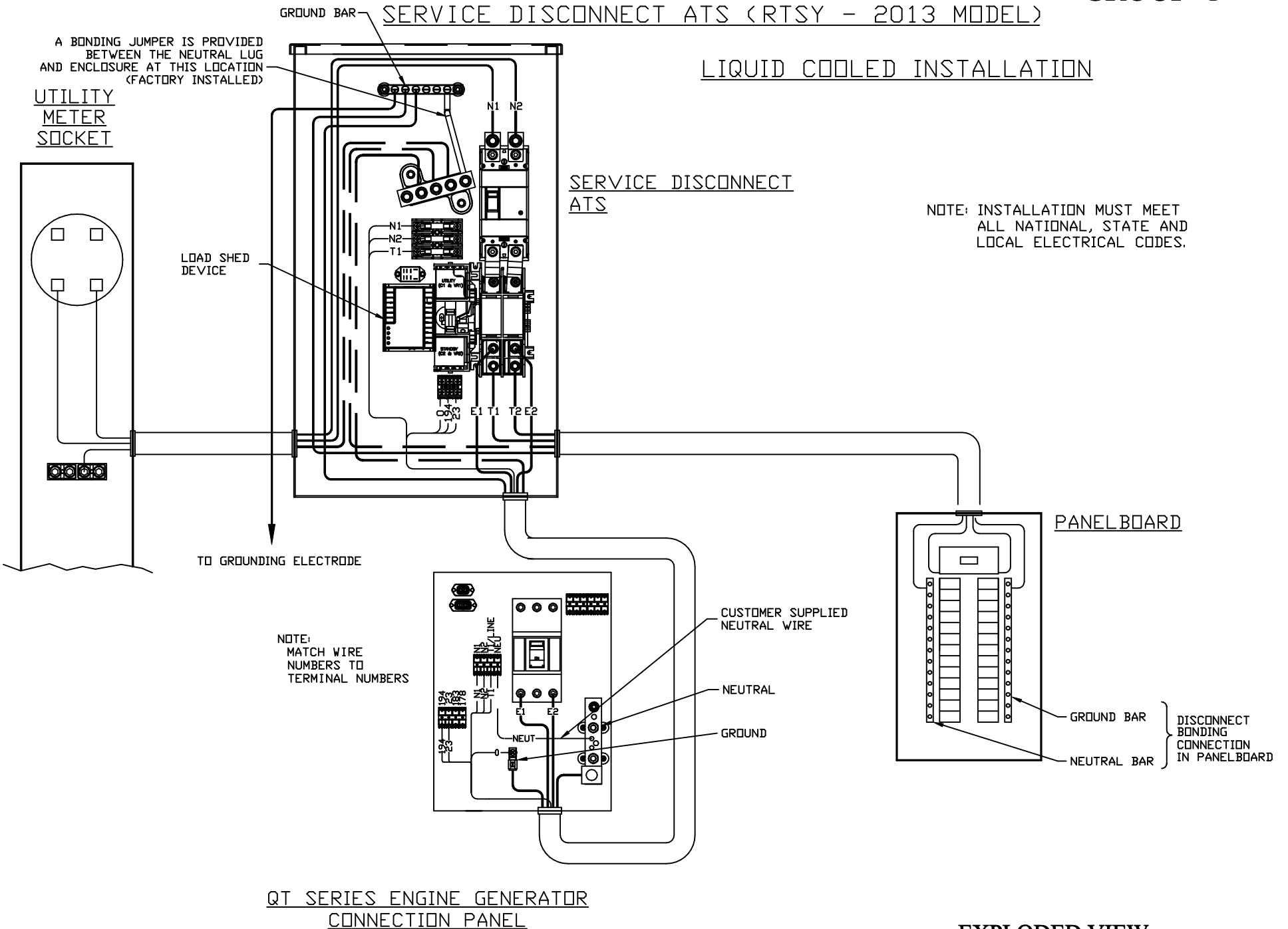
THIS PAGE IS LEFT INTENTIONALLY BLANK



THIS PAGE IS LEFT INTENTIONALLY BLANK

SERVICE DISCONNECT ATS (RTSY - 2013 MODEL)

LIQUID COOLED INSTALLATION



EXPLODED VIEW: RTS XFER SW INTERCONNECTIONS

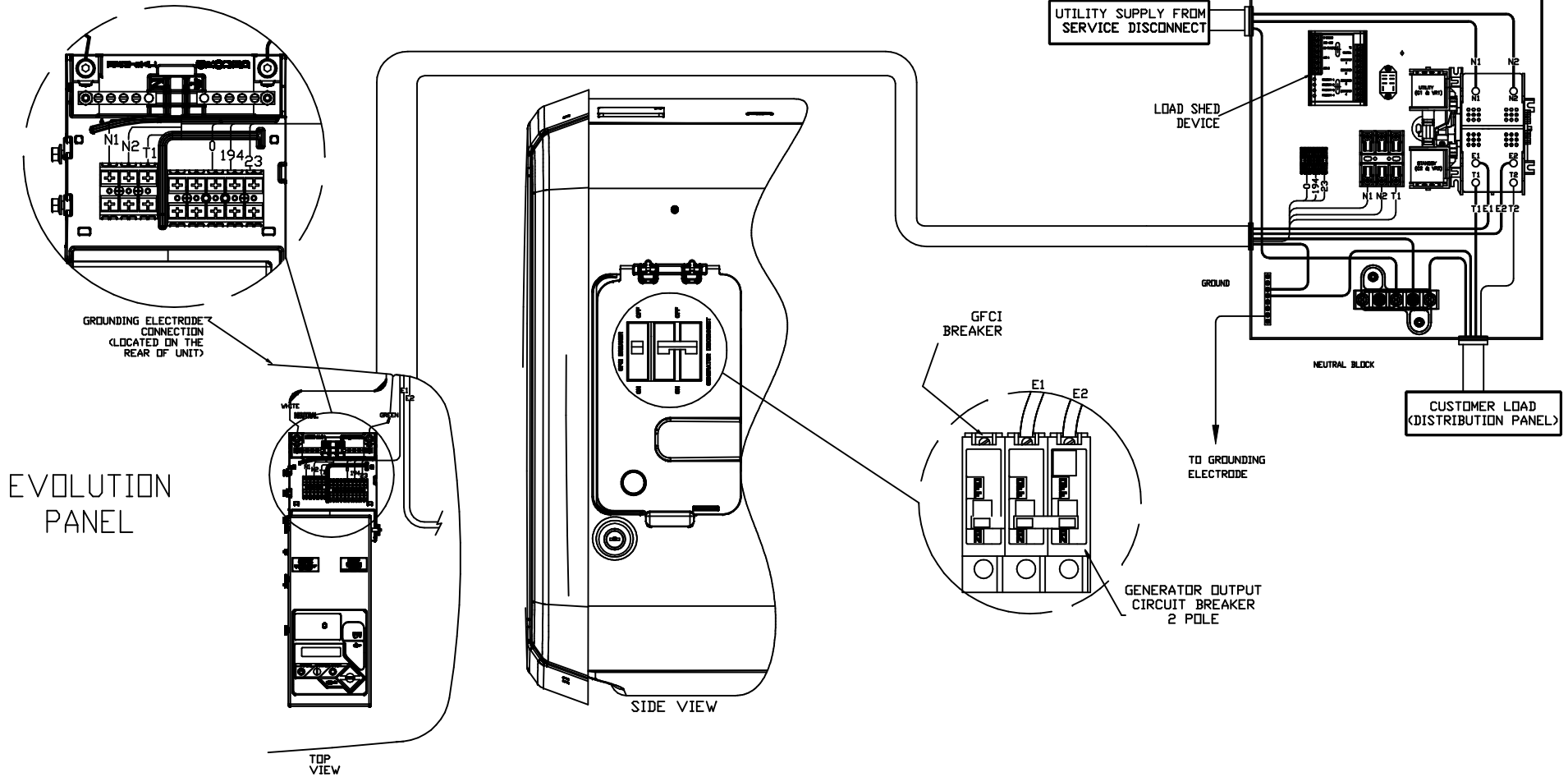
DRAWING #: 0K2425

APPLICABLE TO:

GROUP G

THIS PAGE IS LEFT INTENTIONALLY BLANK

NOTE: INSTALLATION MUST MEET ALL NATIONAL, STATE AND LOCAL ELECTRICAL CODES.



NOTE: INSTALLATION MUST MEET ALL NATIONAL, STATE AND LOCAL ELECTRICAL CODES.

