

Description (Sample Specification Language)

When it's required to protect Gastite/FlashShield CSST hardened steel plates listed for use with corrugated stainless steel tubing systems must be used. Strikers plates are used at all points of penetration through studs, joists, plates or similar structures. Striker plates other than those provided or specified by Gastite are strictly prohibited.

Feature

- Provides protection from puncture threats where tubing movement is restricted
- Protects protection from puncture threats when tubing passes through structural members

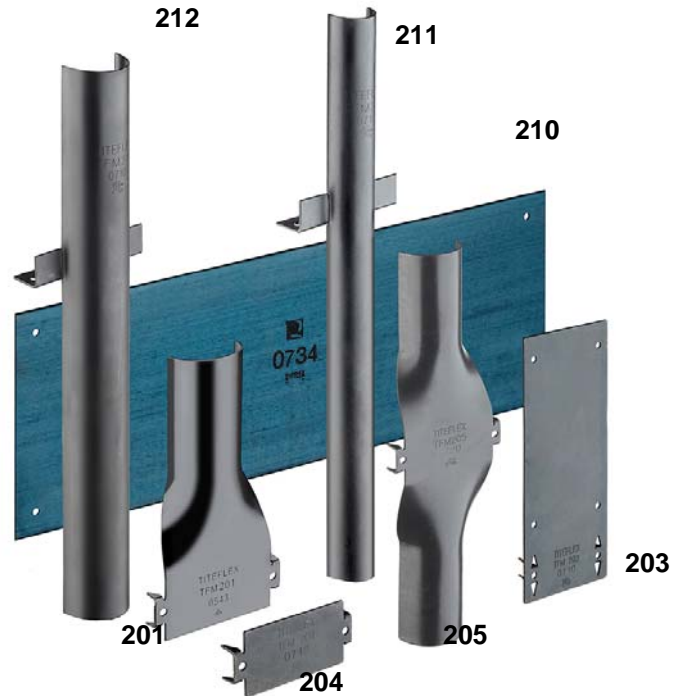
Listings:

- CSA: Certificate No. 1009875
- ICC-ES: Report PMG 1019
- IAPMO: File No. C-3250

Technical Data:

General

Striker Plate Material	16 Gage Carbon Steel
Hardened to	Rc 45
Mounting Holes	Ø3/16"



Dimensional Characteristics

P/N	Length	Width	Tube Shape	Mounting Tabs	Weight (lbs)
TFM201	6-1/2"	3-1/4"	1 End	Y	0.31
TFM203	8"	3-1/4"	N	Y	0.40
TFM204	1-1/2"	3-1/4"	N	Y	0.08
TFM205	11-1/2"	3-1/4"	Both Ends	Y	0.55
TFM210	17"	6"	N	N	1.8
TFM211	13-1/2"	2-5/8"	Y	Y	0.38
TFM212	13-1/2"	3-3/16"	Y	Y	0.59

