

LK250/LK260 Ceiling Fan Light Kit Installation Instructions

READ AND SAVE THESE INSTRUCTIONS

Weight: 3.0 lbs (1.36 kgs)

NOTE: Ceiling fan light kits are only meant to be used with ceiling fans. Do NOT install as a light fixture.

NOTE: Installation shall be in accordance with the National Electrical Code, ANSI/NFPA 70-1999 and local codes.

WARNING: To reduce the risk of fire or electric shock, do not use this fan/light kit with any solid-state speed control device.

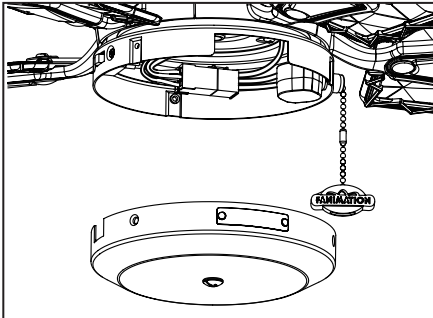
WARNING: To reduce the risk of fire or electric shock, or injury to persons, unplug or disconnect the appliance from the power supply before cleaning, user maintenance and servicing.

CAUTION

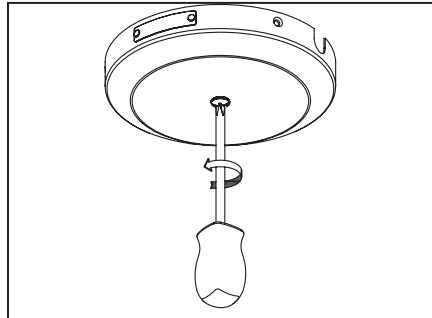
Turning off wall switch is not sufficient. To reduce the risk of fire and electrical shock, be sure electricity is turned off at the main fuse box to the fan before installing the light kit.

CAUTION

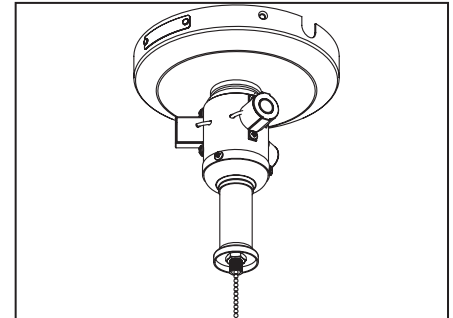
To reduce the risk of fire and electric shock, this light kit should be used only with the Fan Models FP8009 series manufactured by company Fanimation.



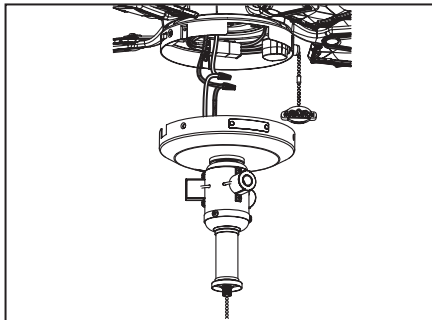
1. Remove & unplug switch cup housing.



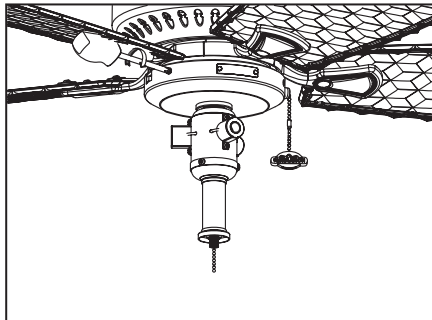
2. Remove threaded plug from switch cup housing.



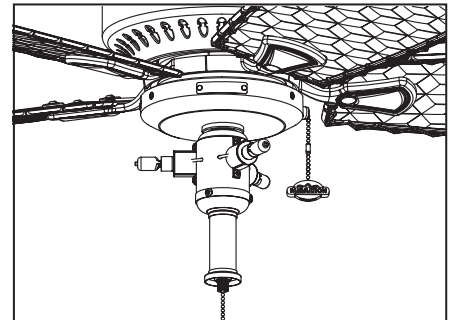
3. Assemble light kit and switch cup housing with lockwasher and nut provided.



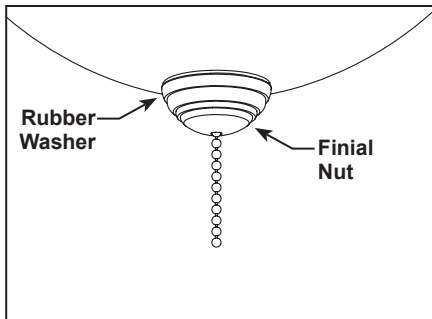
4. Connect white-to-white and blue-to-black wires with wire nuts.



5. Assemble switch cup housing/light kit assembly with original screws.



6. Install 3 minican bulbs (included 3 - 50 watts max) in each of the sockets.



7. Assemble glass bowl with rubber washer and finial nut provided, do not over-tighten.

⚠ WARNING

To avoid possible fire or shock, make sure that the electrical wires are completely inside the fan housing and not pinched between the switch cup housing and the switch cup flange.

