

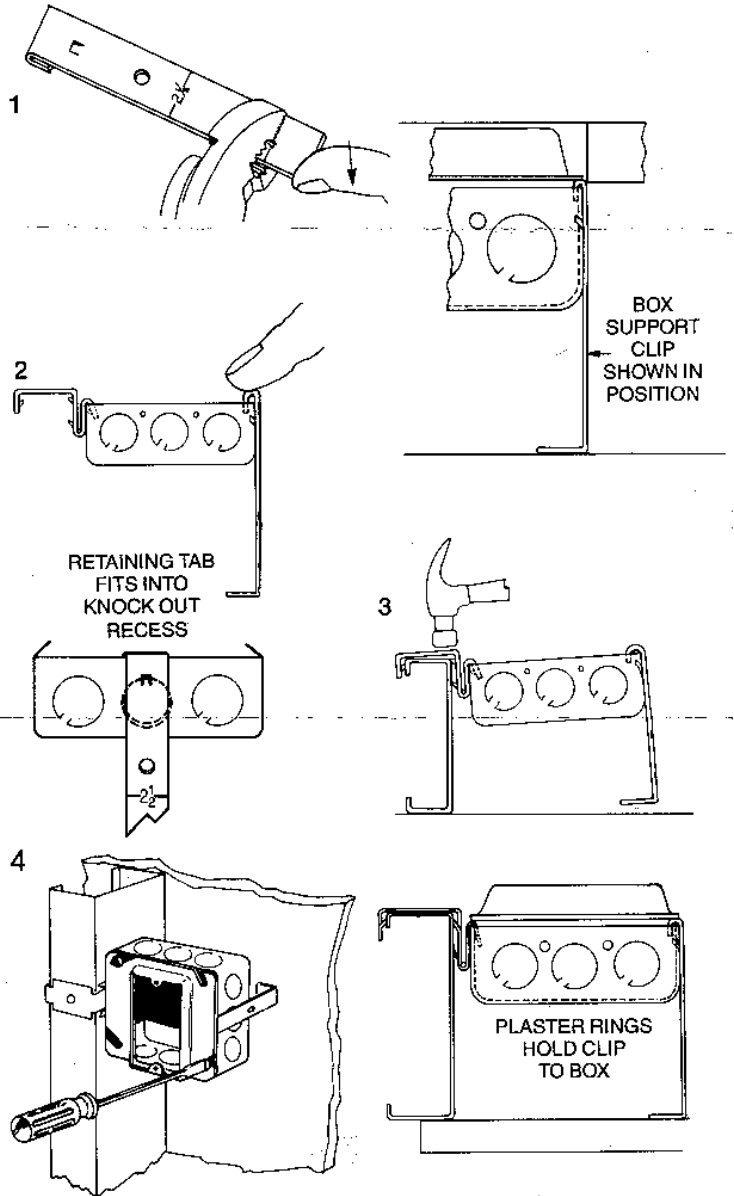
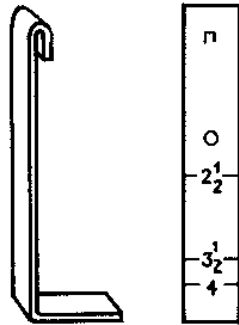
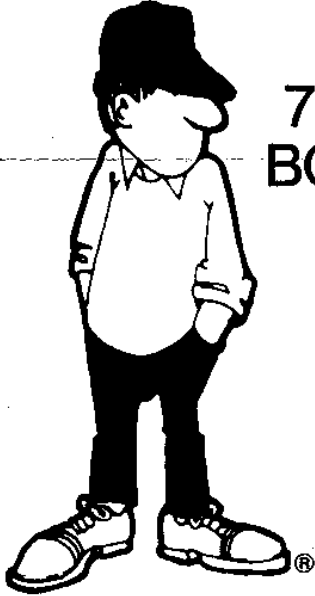


INSTALLATION INSTRUCTIONS

INSTALLATION

1. Hold clip with pliers at desired stud depth. Bend end of clip up as shown.
2. Install onto box.
3. Install box to metal stud.
4. Assemble plaster ring.

766 FAR SIDE BOX SUPPORT



WARNING:

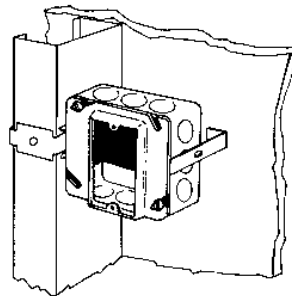
CADDY® Fasteners are intended for indoor use in non-corrosive environments only. CADDY Fasteners must be used only as illustrated. Misuse or misapplication may cause failure resulting in property damage or bodily injury.

NOTE: STATIC load limits are for *fastener only*. Structures to which the fastener is attached must be evaluated separately.

SAFETY INSTRUCTIONS: All safety regulations required by the job site must be observed. Special attention should be given to the following instructions. **While working or on the jobsite:**

1. Observe all Federal and local safety regulations.
2. Wear a hard hat.
3. Wear safety glasses with side shields.
4. Wear gloves to avoid splinters and cuts.
5. When working above ground level, be sure the structure will support your weight.
6. Be aware of personnel working above and below.

APPLICATION



No Load Rating.
Positioning Only.



34600 Solon Road
Cleveland, Ohio 44139
Phone: (216) 349-5376
Fax: (216) 248-3161