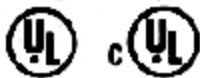


CADDY®

INSTALLATION INSTRUCTIONS

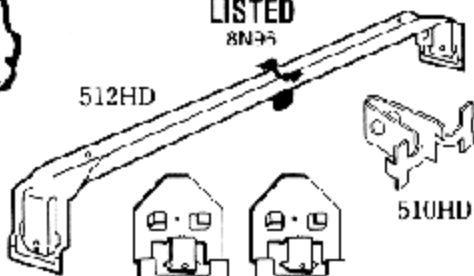


512HD T-Grid Box Hanger Assembly



LISTED
8N75

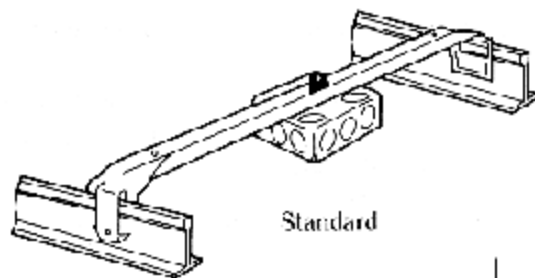
512HD



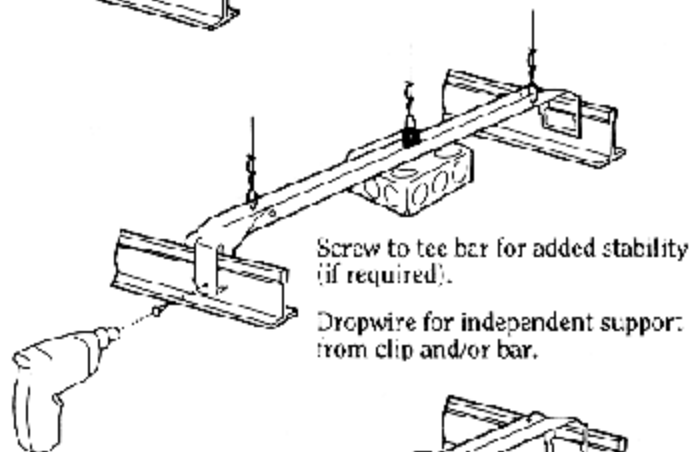
510HD

512HDXT
Extension Brackets

APPLICATIONS & OPTIONS

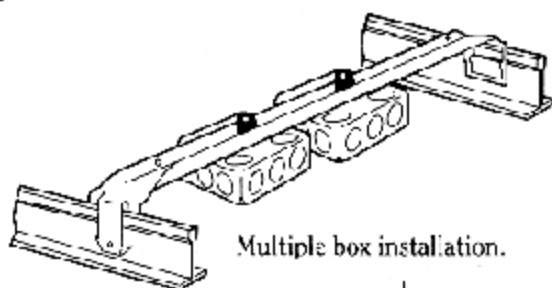


Standard

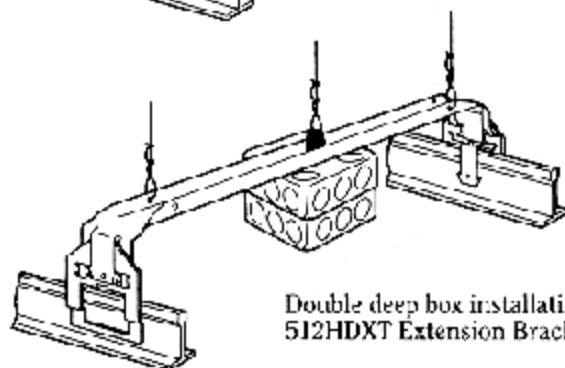


Screw to tee bar for added stability (if required).

Dropwire for independent support from clip and/or bar.



Multiple box installation.



Double deep box installation with 512HDXT Extension Brackets.

SIZING CHART

NAED NUMBER	PART NUMBER	DESCRIPTION	PACKAGED PER BOX
67763	512HD	Heavy duty electrical box hanger with box mounting clip 24" span	25
67802	510HD	Box mounting clip can be purchased separately for multiple box requirements	100
30558	512HDXT	Extension Bracket 3-5/8" height	50 25 sets
32568	512HDEEP	Heavy duty electrical box hanger with extension bracket 3-5/8" height	25

*For use with 1-1/2" deep boxes, 2-1/2" deep boxes or boxes with extension rings.

WARNING:

CADDY® Fasteners are intended for indoor use in non-corrosive environments only. CADDY Fasteners must be used only as illustrated. Misuse or misapplication may cause failure resulting in property damage or bodily injury.

SAFETY INSTRUCTIONS: All safety regulations required by the job site must be observed. Special attention should be given to the following instructions. **While working or on the job site:**

1. Observe all Federal and local safety regulations.
2. Wear a hard hat.
3. Wear safety glasses with side shields.
4. Wear gloves to avoid splinters and cuts.
5. When working above ground level, be sure the structure will support your weight.
6. Be aware of personnel working above and below.

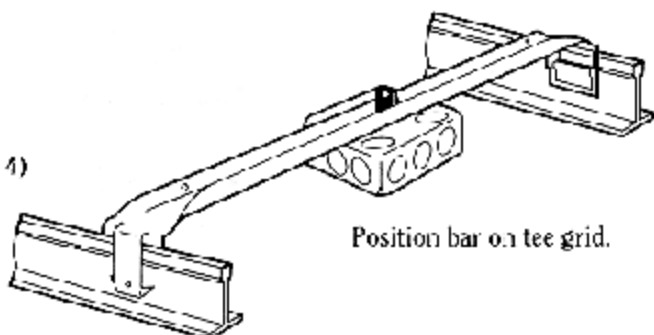
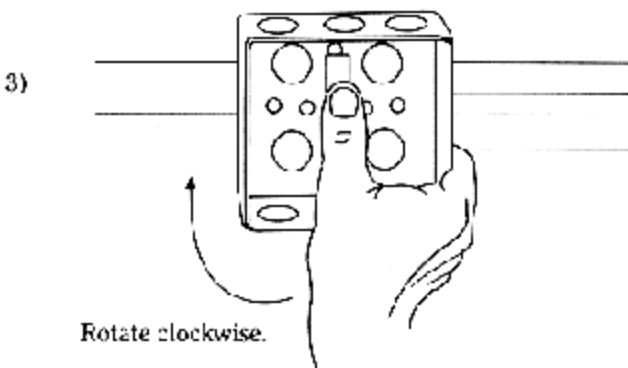
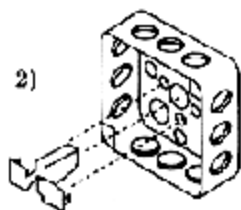
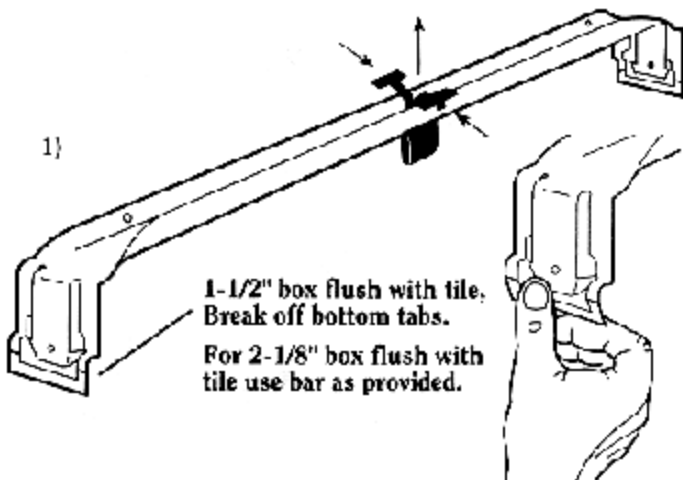
See back for **INSTALLATION INSTRUCTIONS**



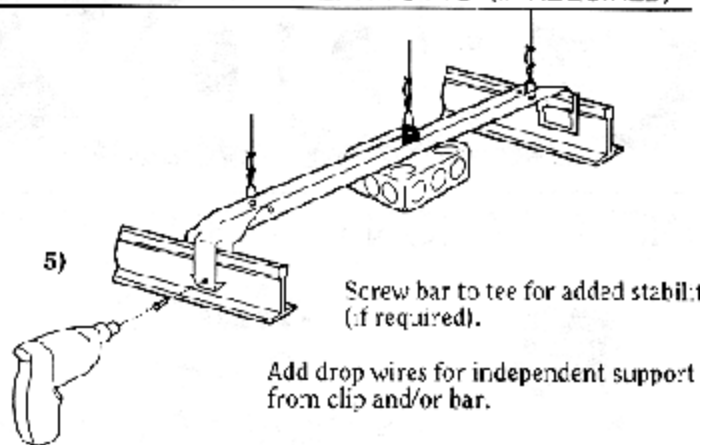
34600 Solon Road
Cleveland, Ohio 44139
(800) 25-CADDY
Fax: (300) 462-4699

INSTALLATION

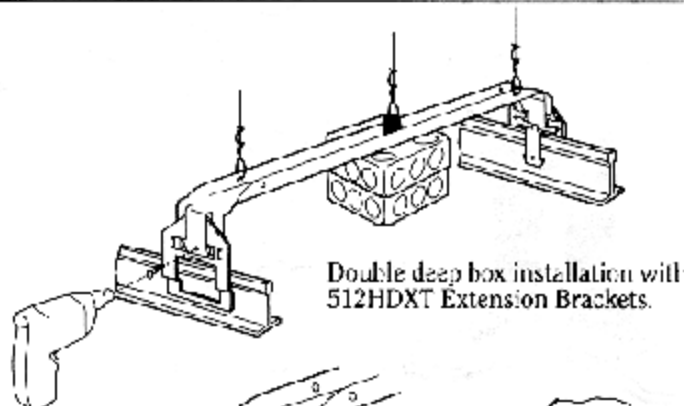
- 1) Remove snap clip from box support by squeezing from both ends and lifting at the same time.
- 2) Insert snap clip into electrical box through center knockout.
- 3) Once the desired location along the bar has been established, hold the snap clip with thumb and while pushing the clip towards the bar, rotate the electrical box clockwise to "lock" the box into place. (Locking tabs on box clip should engage slots in bar hanger.)
- 4) Place assembly onto tee bar, push down to snap into place.



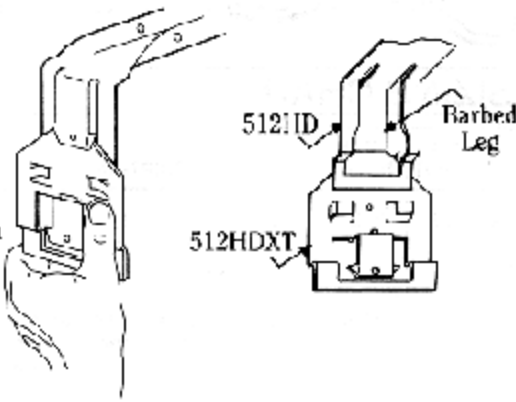
OPTIONAL INSTALLATIONS (IF REQUIRED)



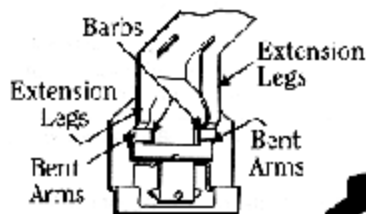
EXTENSION BRACKET INSTALLATION



Slide 512HD onto 512HDXT making sure that the 512HDXT is positioned between the barbed leg and the extension leg.



Continue to slide the 512HD onto the 512HDXT making sure the extension legs go under the bent arms on the 512HDXT. Continue sliding until the barbs protrude from under the part.



NOTE:
512HDXT provides 3-5/8" spacing from face of tile to bottom of bar to accommodate 2-1/8" box with 1-1/2" extension ring.

