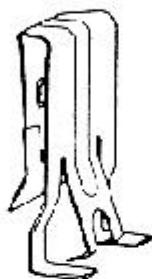




## INSTALLATION INSTRUCTIONS

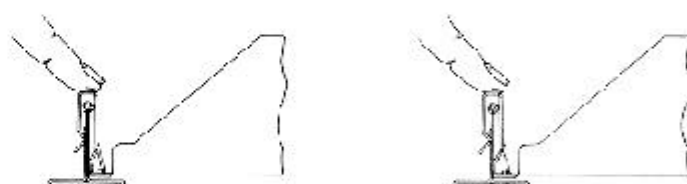
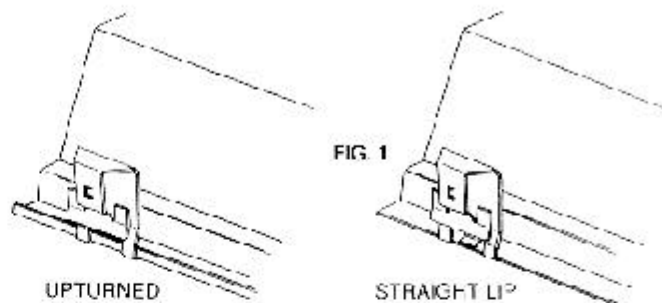
### Light Fixture Retainer Clip #515A



## INSTALLATION

For upturned or straight lip fixtures

1. Snap clip onto fixture lip. Attach one clip at each corner of fixture (total of four) (Fig. 2).
2. Place light fixture with attached clips into acoustical tee-bar grid opening.
3. Snap clips over end of acoustical tee-bar as shown (Fig. 3).



#### WARNING

CADDY® Fasteners are intended for indoor use in non-corrosive environments only. CADDY Fasteners must be used only as illustrated. Misuse or misapplication may cause failure resulting in property damage or bodily injury.

**NOTE:** STATIC load limits are for *fastener only*. Structures to which the fastener is attached must be evaluated separately.

**SAFETY INSTRUCTIONS:** All safety regulations required by the job site must be observed. Special attention should be given to the following instructions.

#### While working on the jobsite:

1. Observe all Federal and local safety regulations.
2. Wear a hard hat.
3. Wear safety glasses with side shields.
4. Wear gloves to avoid splinters and cuts.
5. When working above ground level, be sure the structure will support your weight.
6. Be aware of personnel working above and below.

**NOTE: FOR POSITIONING ONLY.**



CFS 180A  
32A7  
MP 1/90

3430C Solon Road  
Solon, Ohio 44139  
Phone: (800) 25-CADDY  
Fax: (800) 462-4699