

# CADDY® Fasteners for Stud Wall Applications

## Screw-On Conduit Supports

### Features

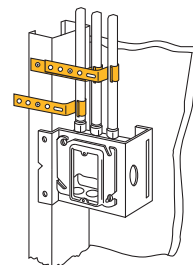
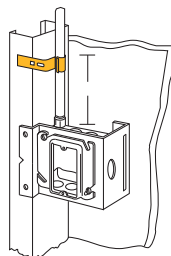
- Accommodates ½", ¾" and 1" EMT conduit and MC/AC cable
- Keeps the conduit in line with the box knockout using a positive alignment tab
- Meets U.S. building and electrical codes
- Eliminates offset bending of conduit
- Works on wood and metal studs
- Gangable for increased conduit support



CADDY® Screw-On Conduit Supports from ERICO® securely attach EMT conduit or MC/AC cable to wood and metal studs. The supports comply with NEC® 358.30(A) and CEC® rule 12-1404 which requires conduit support within 36" of an electrical box and also comply with CEC Rule 12-618 which requires support of an armored cable within 12" of an electrical box.

The Screw-On Conduit Supports handle ½" through 1" EMT conduit and MC/AC cable and work with both 1½" and 2½" deep boxes. The supports have an alignment tab that positively locates the fastener on the stud. The alignment tab also serves to keep the conduit in line with the box knockout and support brackets. For secure electrical box support, use of CADDY H-Series brackets is recommended in conjunction with the CS Series of Conduit Supports.

Part Number	Description	Quantity Per Box	Weight Per Box (lbs)
CS812	Screw-on conduit support attaches ½" and ¾" EMT conduit and MC/AC cable; For 1½" deep boxes	100	6.0
CS812D	Screw-on conduit support attaches ½" and ¾" EMT conduit and MC/AC cable; For 2½" deep boxes	100	6.6
CS16	Screw-on conduit support attaches 1" EMT conduit and MC/AC cable; For 2½" deep boxes	100	7.0

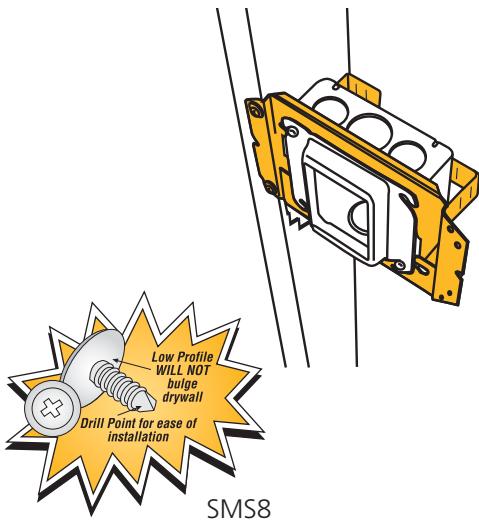
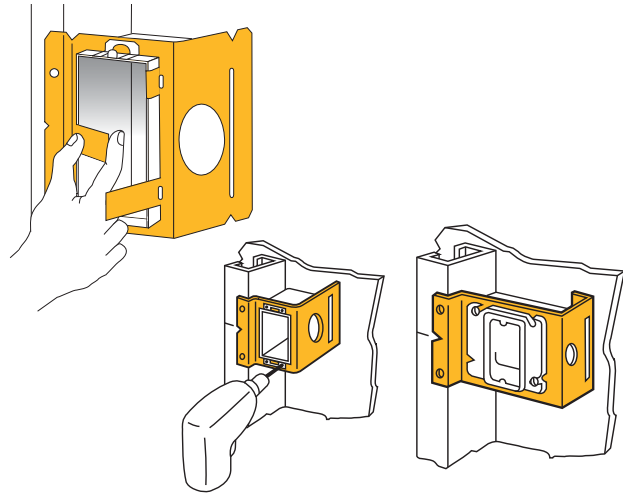


# CADDY® Fasteners for Stud Wall Applications

## Electrical Box Supports

The CADDY® Fastener line from ERICO® includes numerous electrical box supports. The H23 Box Mounting Bracket for electrical boxes easily attaches 4" and 4 1/16" outlet boxes to wood or metal studs. The bracket complies with NEC® Article 300.4(d) and CEC® Rule 12-3012.

The H23 bracket works with 2 1/2" and 3 1/2" stud depths. A support leg on the bracket reduces movement of the box in the wall. The offset design of the support leg and use of optional #SMS8 low-profile self-tapping screws reduce drywall bulge.



The CADDY MEB1 extends stud depths to 4". The bracket has built-in support legs to reduce box movement when used with EMT. It is ideal for flexible conduit, ENT, MC, AC or non-metallic sheathed cable.

The versatile MEB1 mounts on either side of the stud without the need to reposition the box. It also eliminates the need for an electrical box in low-voltage applications when plaster rings are mounted separately. The bracket works on two box depths (1 1/2" and 2 1/2" deep), two box sizes (4" and 4 1/16") and three stud depths (2 1/2", 3 1/2" and 4"). A V-notch on the center allows for consistent positioning.

Like the H23, the MEB1 also reduces drywall bulge when used in conjunction with #SMS8 low-profile self-tapping screws.

Part Number	Description	Quantity Per Box	Weight Per Box (lbs)
H23	Bracket for 4" and 4 1/16" boxes- 2 1/2" and 3 1/2" stud depths	100	14.4
MEB1	Bracket for 4" and 4 1/16" boxes- 2 1/2", 3 1/2" and 4" stud depths	50	11.6
SMS8	Low-profile, self-tapping screws	1000	5.5

NEC is a registered trademark of, and the National Electric Code (NEC) standard is a copyright of the National Fire Protection Association. CEC (Canadian Electric Code) is a copyright of the Canadian Standards Association International.

**WARNING**

ERICO products shall be installed and used only as indicated in ERICO's product instruction sheets and training materials. Instruction sheets are available at [www.erico.com](http://www.erico.com) and from your ERICO customer service representative. Improper installation, misuse, misapplication or other failure to completely follow ERICO's instructions and warnings may cause product malfunction, property damage, serious bodily injury and death.

Copyright ©2006 ERICO International Corporation. All rights reserved.

CADDY, CADWELD, CRITEC, ERICO, ERIFLEX, ERITECH, and LENTON are registered trademarks of ERICO International Corporation.