



⚠ DANGER indicates a hazardous situation which, if not avoided, will result in death or serious injury.

⚠ WARNING indicates a hazardous situation which, if not avoided, could result in death or serious injury.

⚠ CAUTION used with the safety alert symbol, indicates a hazardous situation which, if not avoided, could result in minor or moderate injury.

NOTICE is used to address practices not related to personal injury.

CAUTION without the safety alert symbol, is used to address practices not related to personal injury.

⚠ PELIGRO indica una situación peligrosa que, si no se evita, provocará lesiones graves o incluso la muerte.

⚠ ADVERTENCIA indica una situación riesgosa, la cual, si no se evita, puede ocasionar lesiones graves o incluso la muerte.

⚠ PRECAUCIÓN empleado junto con el símbolo de alerta, indica una situación riesgosa, la cual, si no se evita, puede provocar heridas leves o moderadas.

AVISO hace referencia a prácticas que no presentan riesgos de generar lesiones personales.

PRECAUCIÓN empleado sin el símbolo de alerta, hace referencia a prácticas que no presentan riesgos de generar lesiones personales.

EVOLUTION SEPTIC ASSIST®

FOOD WASTE DISPOSER DESIGNED FOR SEPTIC SYSTEM

TRITURADOR DE DESPERDICIOS DE ALIMENTOS
DISEÑADO PARA SISTEMAS SÉPTICOS

AnswerLine®
1-800-558-5700

www.insinkerator.com

76137 Rev B

Evolution Septic Assist®

Food Waste Disposer Designed for Septic System/Triturador de Desperdicios de Alimentos Diseñado para Sistemas Sépticos

The Evolution Series® by InSinkErator® is a new standard in sound and grind performance. Featuring exclusive patented **SoundSeal®** and **MultiGrind®** technologies, no food waste disposer grinds more with less noise.

Evolution Series® de InSinkErator® es el nuevo estándar dentro de la tecnología de conductos y trituración. Con las exclusivas tecnologías **SoundSeal®** y **MultiGrind®**, ningún triturador de desperdicios tritura más con menos ruido.



Sound Seal® Technology

- 1 Quiet Collar® Sink Baffle
- 2 Anti-Vibration Mount®
- 3 Anti-Vibration Tailpipe Mount™
- 4 SoundLimiter™ Insulation

Multi Grind® Technology

- 5 GrindShear Ring®
- 6 Quick Lock® Sink Mount
- 7 Stainless Steel Grind Components
- 8 3/4 HP Heavy Duty Dura-Drive® Motor
- 9 Bio-Charge® Technology

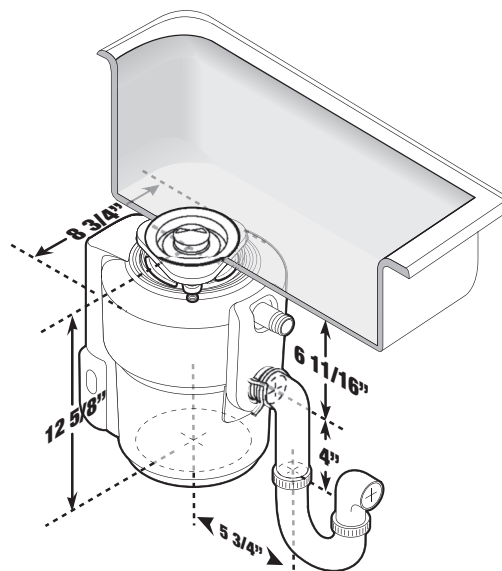
Sound Seal® Tecnología

- 1 Deflector del fregadero Quiet Collar®
- 2 Anti-Vibration Mount®
- 3 Anti-Vibration Tailpipe Mount™
- 4 Aislamiento SoundLimiter™

Multi Grind® Tecnología

- 5 GrindShear Ring®
- 6 Montaje del fregadero Quick Lock®
- 7 Componentes de trituración de acero inoxidable
- 8 Motor Dura-Drive® de 3/4 HP para trabajos pesados
- 9 Bio-Charge® Tecnología

- ⚠ Read all warnings before proceeding.
- ⚠ Lea todas las advertencias antes de continuar.

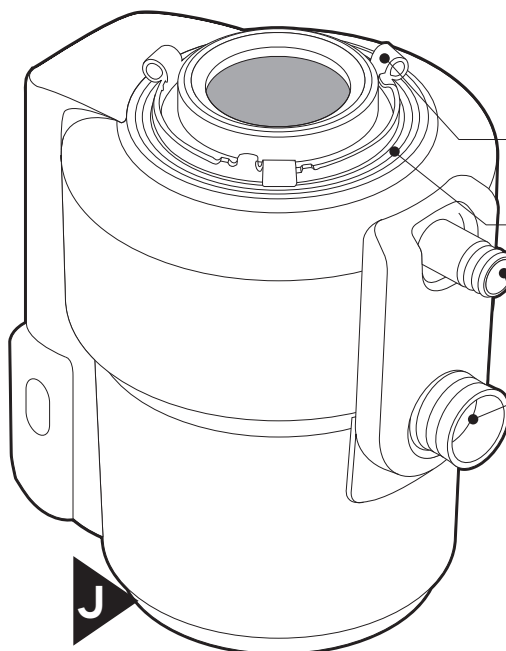
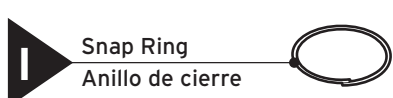
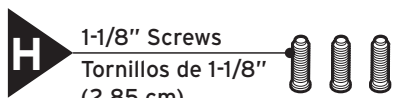
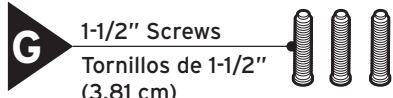
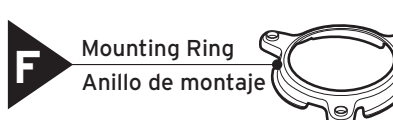
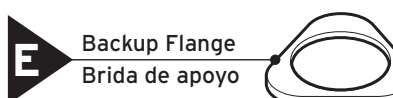
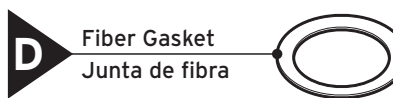
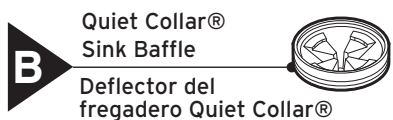
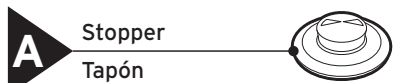


Dimensions/Dimensiones

Evolution Septic Assist®

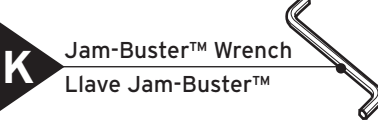
Food Waste Disposer Designed for Septic System/Tritrador de Desperdicios de Alimentos Diseñado para Sistemas Sépticos

Includes/Incluye

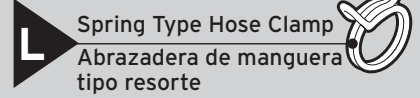


J

Disposer/Triturador



**Failure to use the spring type hose clamp provided voids warranty./
La garantía pierde validez si no usa la abrazadera de manguera tipo resorte incluida.**



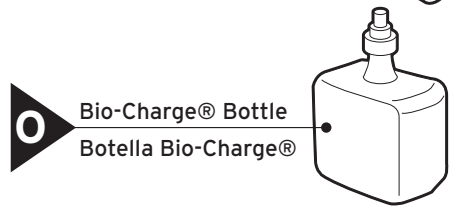
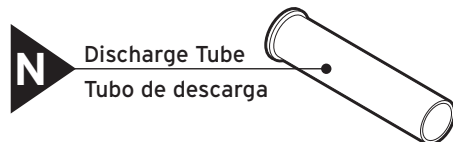
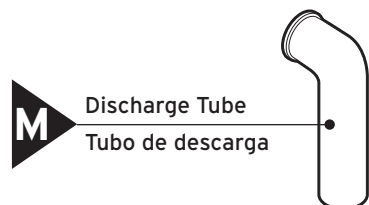
Lower Mounting Ring
Anillo de montaje inferior

Anti-Vibration Mount®
Anti-Vibration Mount®

Dishwasher Inlet
Entrada del lavavajillas

Anti-Vibration Tailpipe Mount™

Anti-Vibration Tailpipe Mount™



Tools and Materials/Herramientas y materiales

Not Included/No incluidos



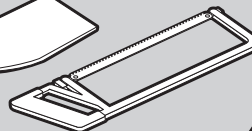
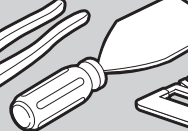
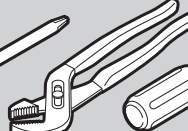
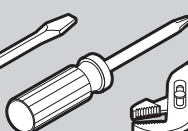
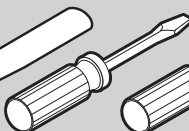
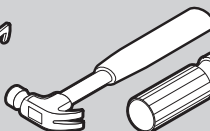
Cable Connector
Conector para cable



Plumbers putty
Masilla de plomería



Wire Nuts
Tuercas para conectores



Removal of old disposer/Extracción del triturador viejo

1

If you are replacing an existing disposer, continue to Step 2. If there is no existing disposer, disconnect sink drain and skip to Step 10.

Si tiene que reemplazar un triturador existente, continúe con el Paso 2. Si no existe un triturador, desconecte el desagüe del fregadero y continúe con el Paso 10.

⚠ WARNING/ADVERTENCIA

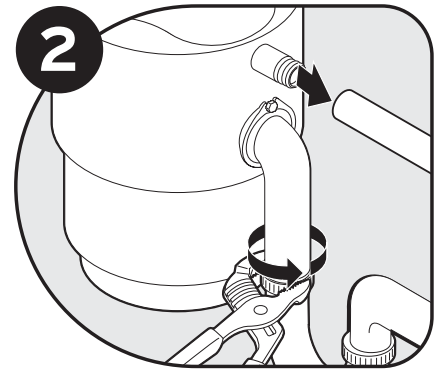
SHOCK HAZARD

Turn off electric power at fuse box or circuit breaker.

PELIGRO DE DESCARGA ELÉCTRICA

Desconecte el suministro eléctrico desde la caja de fusibles o del interruptor de circuito.

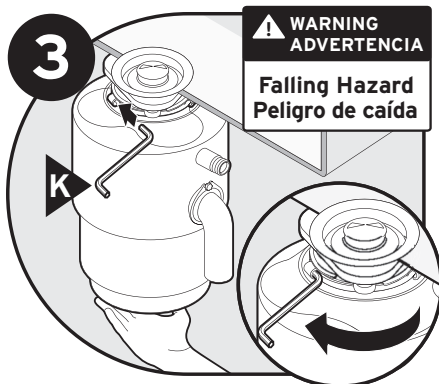
2



Disconnect drain trap from waste discharge tube. Disconnect dishwasher if connected to the disposer.

Desconecte la trampa de desagüe del tubo de descarga de desperdicios. Desconecte el lavavajillas si está conectado al triturador.

3

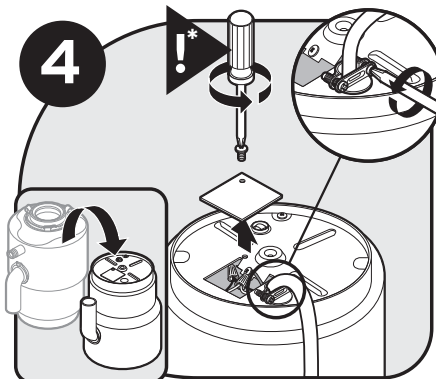


**⚠ WARNING
ADVERTENCIA**
**Falling Hazard
Peligro de caída**

Support disposer, insert end of Jam-Buster™ Wrench (K) into right side of mounting lug, and turn. Disposer will fall free.

Apoye el triturador, inserte el extremo de la Llave Jam-Buster™ (K) en el lado derecho de uno de los salientes de montaje y gire. El triturador se liberará.

4



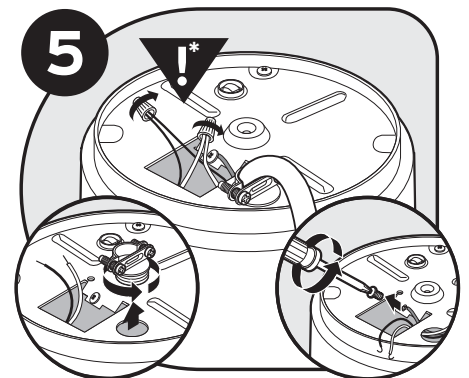
*** WARNING: SHOCK HAZARD**

With the electrical supply turned off, flip disposer over and remove electrical cover plate. Save cable connector if applicable.

*** ADVERTENCIA: PELIGRO DE**

DESCARGA ELÉCTRICA. Con la energía eléctrica apagada, voltee el triturador y retire la placa de la cubierta eléctrica. Guarde el conector del cable si corresponde.

5



*** WARNING: SHOCK HAZARD**

With the electrical supply turned off, disconnect the disposer wires from the electrical supply.

*** ADVERTENCIA: PELIGRO DE**

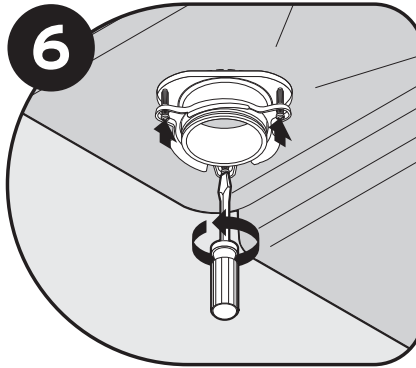
DESCARGA ELÉCTRICA. Con la energía eléctrica apagada, desconecte los cables del triturador del suministro eléctrico.

If the new disposer mounting is the same as the old one, you can go to step 15.

Note: For sinks thicker than 3/8", you will need to replace existing 1-1/2" screws with 1-1/8" screws (H). See Step 14.

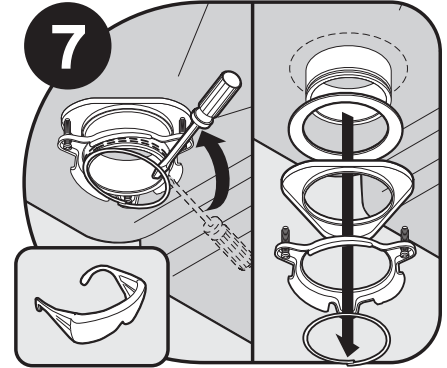
Si el montaje del triturador nuevo es el mismo que el viejo, puede ir al Paso 15.

Nota: Para los fregaderos con espesor mayor de 3/8" (0,95 cm), deberá reemplazar los tornillos existentes de 1-1/2" (3,81 cm) por tornillos de 1-1/8" (2,85 cm) (H). Consulte el Paso 14.



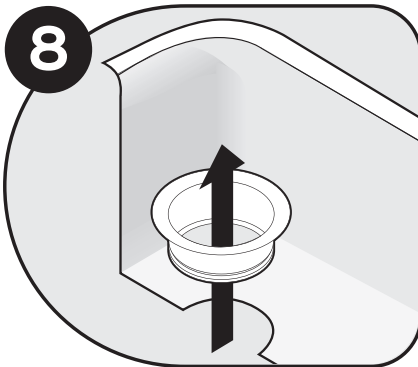
Loosen the 3 screws on the mounting assembly.

Afloje los 3 tornillos en el conjunto de montaje.



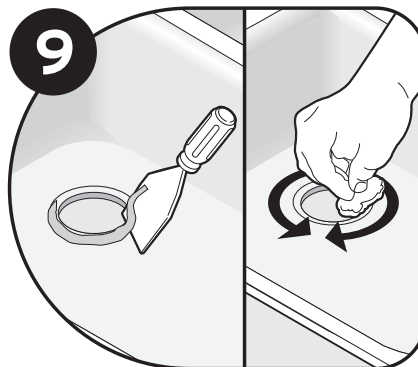
Using a screwdriver, remove the snap ring.

Retire el anillo de cierre con un destornillador.



Remove flange from sink.

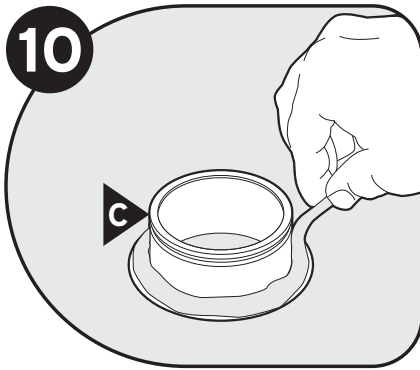
Retire la brida del fregadero.



Remove old plumber's putty from sink with putty knife.

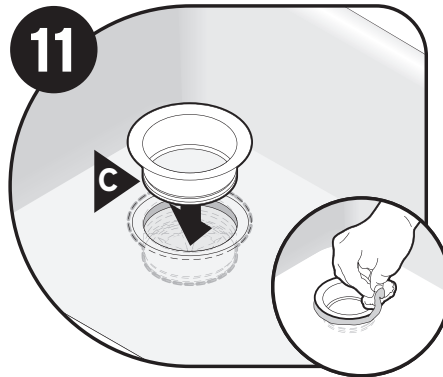
Retire la masilla de plomería vieja del fregadero con una espátula.

Installation/Instalación



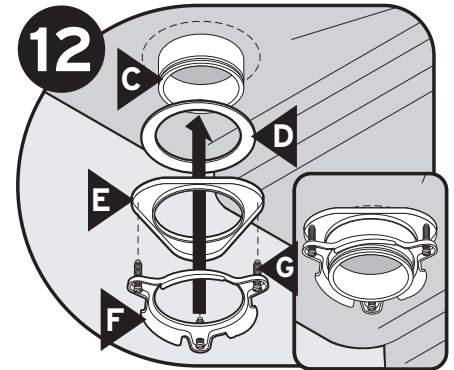
Evenly apply 1/2" thick rope of plumber's putty around flange (C).

Aplice una tira gruesa de masilla de plomería, de 1/2" (1,27 cm), en forma uniforme alrededor de la brida (C).



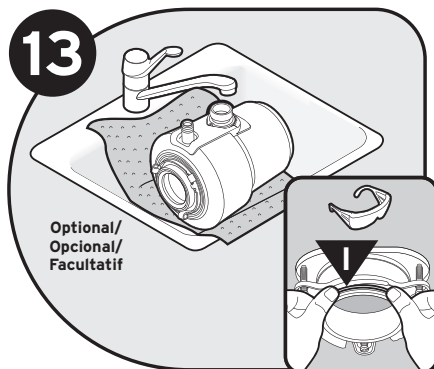
Press flange (C) firmly into sink drain. Remove excess putty.

Presione la brida (C) firmemente en el desagüe del fregadero. Retire la masilla sobrante.



Insert fiber gasket (D), backup flange (E) and mounting ring (F).

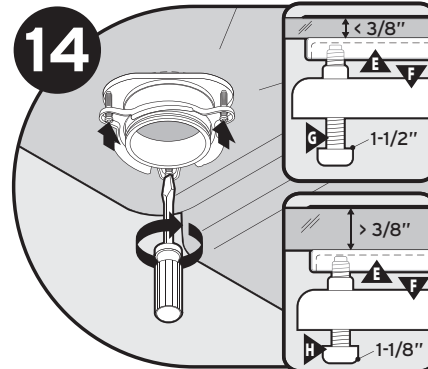
Inserte la junta de fibra (D), la brida de soporte (E) y el anillo de montaje (F).



Optional/
Opcional/
Facultatif

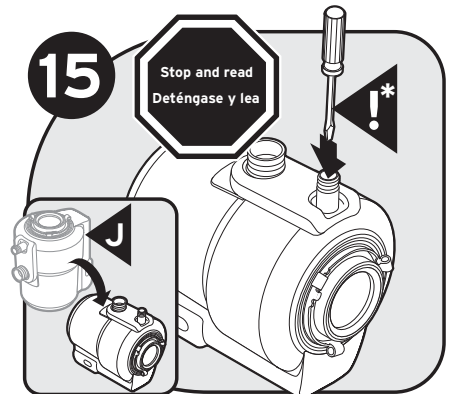
Hold in place while inserting snap ring (I). Place a weight such as the disposer on the sink flange to hold it in place. Use a towel to prevent scratching sink. Pull snap ring open and press firmly until it snaps into place.

Sosténgalos en su lugar mientras inserta el anillo de cierre (I). Coloque un peso, por ejemplo el triturador, sobre la brida del fregadero para mantenerla en su lugar. Utilice una toalla para evitar que se raye el fregadero. Abra el anillo de cierre y presione firmemente hasta que se coloque en el lugar.



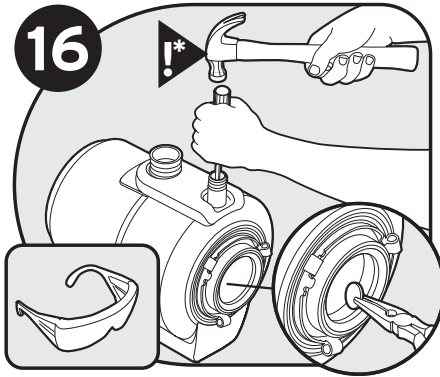
Tighten 1-1/2" screws (G) evenly and firmly against backup flange. Use shorter 1-1/8" screws (H) if sink is more than 3/8" thick.

Ajuste los tornillos de 1-1/2" (3,81 cm) (G) en forma uniforme y firme contra la brida de soporte. Utilice tornillos más cortos de 1-1/8" (2,85 cm) (H) si el fregadero tiene más de 3/8" (0,95 cm) de espesor.



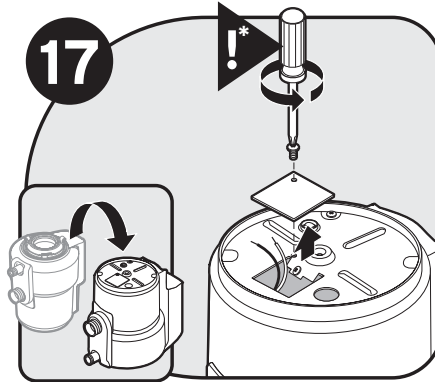
*** CAUTION: DISHWASHER CONNECTION ONLY** If you do not need to attach the dishwasher, go to Step 17. Turn disposer (J) onto side and insert screwdriver into dishwasher inlet.

*** PRECAUCIÓN: SÓLO PARA CONEXIÓN DEL LAVAVAJILLAS.** Si no es necesario conectar el lavavajillas, pase al Paso 17. Voltee el triturador (J) sobre un lado e introduzca el destornillador en la entrada del lavavajillas.



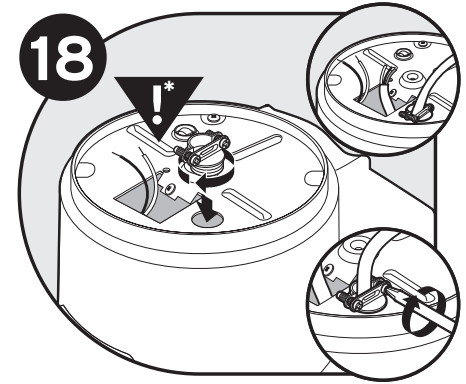
*** CAUTION: DISHWASHER CONNECTION ONLY** Knock out drain plug and remove plug from inside of disposer.

*** PRECAUCIÓN: SÓLO PARA LA CONEXIÓN DEL LAVAVAJILLAS.** Extraiga de un golpe el tapón de desagüe del interior del triturador.



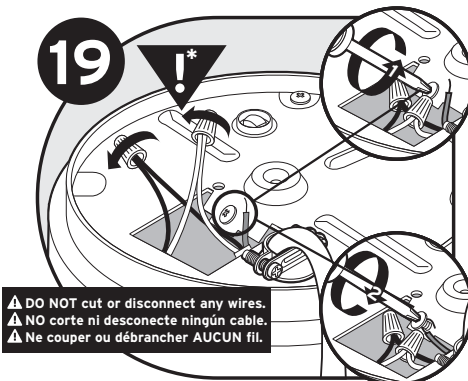
*** WARNING: SHOCK HAZARD.** Turn disposer over and remove electrical cover plate. Pull out wires. **DO NOT REMOVE CARDBOARD SHIELD.**

*** ADVERTENCIA: PELIGRO DE DESCARGA ELÉCTRICA.** Dé vuelta el triturador y retire la placa de cubierta eléctrica. Saque los cables. **NO RETIRE LA PROTECCIÓN DE CARTÓN.**



*** WARNING: SHOCK HAZARD.** With electrical supply turned off, insert cable connector (not included) and run electrical cable through access hole on bottom of disposer. Tighten cable connector.

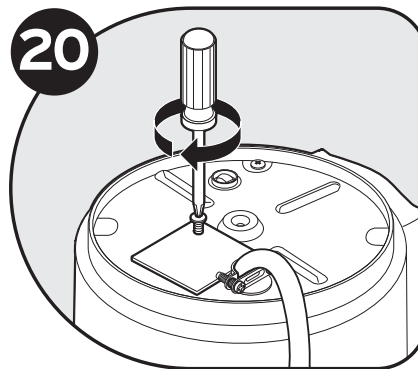
*** ADVERTENCIA: PELIGRO DE DESCARGA ELÉCTRICA.** Con la corriente eléctrica apagada, introduzca el conector del cable (no incluido) y pase el cable eléctrico a través del orificio de acceso en la parte inferior del triturador. Ajuste el conector del cable.



⚠ DO NOT cut or disconnect any wires.
⚠ NO corte ni desconecte ningún cable.
⚠ Ne couper ou débrancher AUCUN fil.

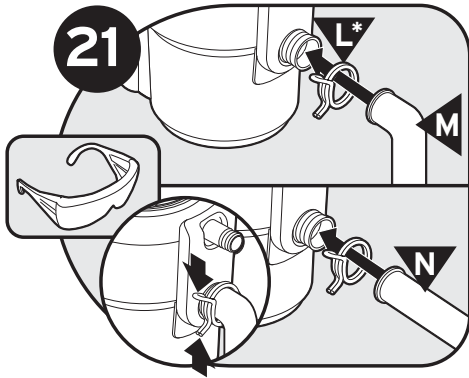
*** WARNING! Improper grounding can result in electric shock hazard.** Connect white wire from disposer to neutral (white) wire from power source and black wire from disposer to hot (black, red) wire from power source with wire nuts (not included); ground wire to green grounding screw. Unit must be grounded for safe and proper installation.

*** ADVERTENCIA: La conexión incorrecta a tierra puede representar un riesgo de descarga eléctrica.** Conecte el cable blanco del triturador al cable neutro (blanco) de la fuente de energía, y el cable negro del triturador al cable vivo (negro, rojo) de la fuente de energía; use para ello tuercas para cable (no incluidas); finalmente, una el cable de conexión a tierra con el tornillo verde conectado a tierra. La unidad debe estar conectada a tierra para una instalación segura y adecuada.



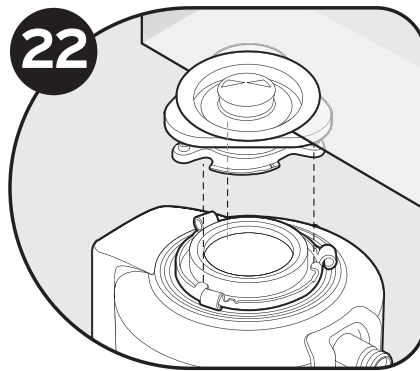
Push wires into disposer (**do not displace cardboard shield**) and replace electrical cover plate.

Coloque los cables dentro del triturador (**no retire la protección de cartón**) y reemplace la placa de la cubierta eléctrica.



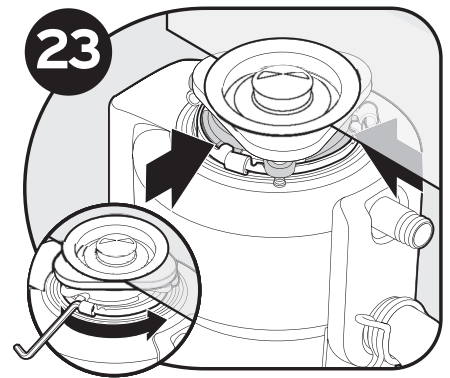
Place tube (M or N) into Anti-Vibration Tailpipe Mount™. Use provided tubes for best results. Secure with spring type hose clamp (L). ***Important: Failure to use the spring type hose clamp provided voids warranty.**

Coloque el tubo (M o N) dentro del Anti-Vibration Tailpipe Mount™. Utilice los tubos provistos para obtener mejores resultados. Fije con la abrazadera de manguera tipo resorte (L). ***Importante: La garantía pierde validez si no usa la abrazadera de manguera tipo resorte incluida.**



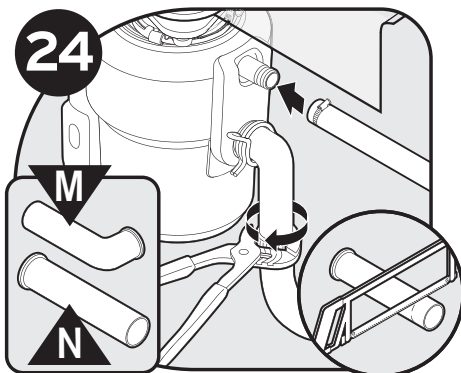
Hang disposer by aligning 3 mounting tabs with slide-up ramps on mounting ring.

Sostenga el triturador y alinee los 3 apéndices de montaje con rampas deslizables sobre el anillo de montaje.



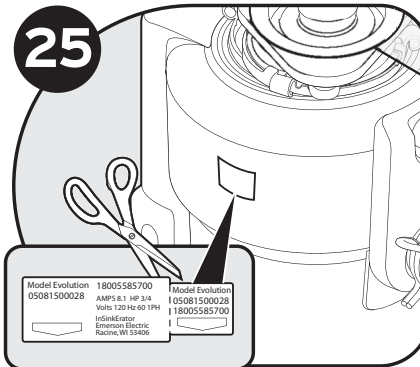
Turn mounting ring until all 3 mounting tabs lock over the ridges on the slide-up ramps.

Gire el anillo de montaje hasta que los 3 apéndices de montaje se cierren sobre los bordes de las rampas deslizables.



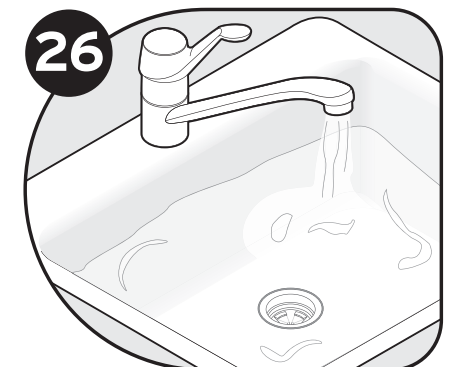
You may need to trim tube for proper fit. Reconnect plumbing (and dishwasher connection if used). Make sure Anti-Vibration Tailpipe Mount™ is straight.

Es posible que deba recortar el tubo para una colocación adecuada. Reconecte la plomería (y la conexión del lavavajillas, si utiliza uno). Asegúrese de que el Anti-Vibration Tailpipe Mount™ esté derecho.



Detach removable portion of spec label and place on a visible location.

Corte la parte desmontable de la etiqueta de especificaciones y colóquela en un lugar visible.



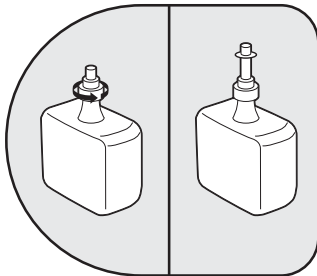
Insert Quiet Collar® Sink Baffle into sink opening. Fill sink with water, then test for leaks. Install Bio-Charge® Bottle. See following section.

Inserte el deflector del fregadero Quiet Collar® en la abertura del fregadero. Llene el fregadero con agua y luego verifique que no haya fugas. Instale la botella Bio-Charge®. Vea la sección siguiente.

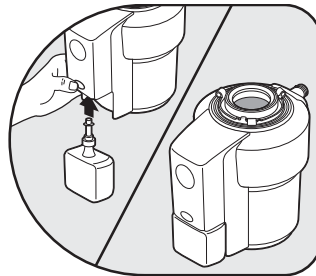
Installing and Replacing the Bio-Charge® Bottle

Installing Bio-Charge® Bottle

Use only InSinkErator® Bio-Charge®. See Changing Bio-Charge® Bottle for safety instructions and information on obtaining Bio-Charge® replacements. Do not squeeze the Bio-Charge® Bottle; squeezing the bottle may cause Bio-Charge® to discharge and spill.



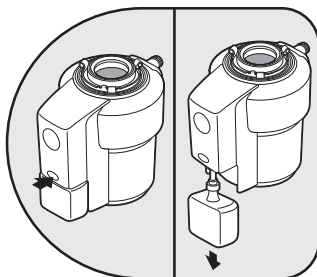
Unscrew Bio-Charge® dispenser cap nozzle counterclockwise until nozzle pops upward to dispensing position. Do not remove dispenser cap nozzle.



Aligning bottle with concave side toward disposer, press and hold the button while pushing bottle upward into holder. Release button. Pull bottle down slightly to ensure it is engaged.

Replacing Bio-Charge® Bottle

To keep your septic system operating at peak efficiency, replace the Bio-Charge® Bottle when it is empty. To change Bio-Charge® Bottle:



Make sure disposer is off. Press button on disposer just above bottle and pull bottle down to remove it. (Do not refill or reuse empty bottle.)

Bio-Charge® is available wherever InSinkErator® Septic Assist is sold. For Bio-Charge® reorder, questions, or comments call toll free 1 (888) 527-1493.

4 YEAR IN-HOME FULL SERVICE WARRANTY

This warranty is provided by InSinkErator®, a division of Emerson Electric Co., (“InSinkErator” or “Manufacturer” or “we” or “our” or “us”) to the original consumer owner of the InSinkErator product with which this warranty is provided (the “InSinkErator Product”), and any subsequent owner of the residence in which the Product was originally installed (“Customer” or “you” or “your”).

InSinkErator warrants to Customer that your InSinkErator Product will be free from defects in materials and workmanship, subject to the exclusions described below, for a period of 4 years (the “Warranty Period”), commencing on the later of: (a) the date your InSinkErator Product is originally installed, (b) the date of purchase, or (c) the date of manufacture as identified by your InSinkErator Product serial number. You will be required to show written documentation supporting (a) or (b). If you are unable to provide documentation supporting either (a) or (b), the Warranty Period commencement date will be determined by Manufacturer, in its sole and absolute discretion, based upon your InSinkErator Product serial number.

What is Covered

This warranty covers defects in materials or workmanship, subject to the exclusions below, in InSinkErator Products used by a consumer Customer for residential use only, and includes all replacement parts and labor costs. YOUR SOLE AND EXCLUSIVE REMEDY UNDER THIS LIMITED WARRANTY SHALL BE LIMITED TO REPAIR OR REPLACEMENT OF THE INSINKERATOR PRODUCT.

What is not Covered

This limited warranty does not extend to and expressly excludes:

- Losses or damages or the inability to operate your InSinkErator Product resulting from conditions beyond the Manufacturer’s control including, without limitation, accident, alteration, misuse, abuse, neglect, negligence (other than Manufacturer’s), failure to install, maintain, assemble, or mount the InSinkErator Product in accordance with Manufacturer’s instructions or local electrical and plumbing codes.
- Wear and tear expected to occur during the normal course of use, including without limitation, cosmetic rust, scratches, dents or comparable and reasonably expected losses or damages. In addition to the above exclusions, this warranty does not apply to InSinkErator Products installed in a commercial or industrial application.

No Other Express Warranty Applies

This warranty is the sole and exclusive warranty provided to the Customer identified above. No other express warranty, written or verbal, applies. No employee, agent, dealer, or other person is authorized to alter this limited warranty or make any other warranty on behalf of Manufacturer. The terms of this warranty shall not be modified by the Manufacturer, the original owner, or their respective successors or assigns.

What we will do to Correct Problems

If your InSinkErator Product does not operate in accordance with the documentation provided to you, or you have questions concerning your InSinkErator Product or how to determine when service is needed, please call the toll free InSinkErator AnswerLine™ at 1 (800) 558-5700, or visit our website at www.insinkerator.com. You may also notify us at: InSinkErator Service Center, 4700 21st Street, Racine, Wisconsin 53406 USA.

The following information must be provided as part of your warranty claim: your name, address, phone number, your InSinkErator Product model and serial number, and if necessary, upon request, written confirmation of either: (a) the date shown on your installation receipt, or (b) the date shown on your purchase receipt.

Manufacturer or its authorized service representative will determine, in its sole and absolute discretion, if your InSinkErator Product is covered under this warranty. You will be given the contact information for your closest authorized InSinkErator Service Center. Please contact your InSinkErator Service Center directly to receive in home warranty repair or replacement service. Only an authorized InSinkErator service representative may provide warranty service. InSinkErator is not responsible for warranty claims arising from work performed on your InSinkErator Product by anyone other than an authorized InSinkErator service representative.

If a covered claim is made during the Warranty Period, Manufacturer will, through its authorized service representative, either repair or replace your InSinkErator Product. Cost of replacement parts or a new InSinkErator Product, and cost of labor for repair or installation of the replacement InSinkErator Product are provided at no cost to you. Repair or replacement shall be determined by Manufacturer or its authorized service representative in their sole discretion. All repair and replacement services will be provided to you at your home. If Manufacturer determines that your InSinkErator Product must be replaced rather than repaired, the warranty on the replacement InSinkErator Product will be limited to the unexpired term remaining in the original Warranty Period.

Limitation of Liability

TO THE EXTENT PERMITTED BY LAW, IN NO EVENT SHALL MANUFACTURER OR ITS AUTHORIZED SERVICE REPRESENTATIVES BE LIABLE FOR ANY INCIDENTAL, SPECIAL, INDIRECT, OR CONSEQUENTIAL DAMAGES, INCLUDING ANY ECONOMIC LOSS, WHETHER RESULTING FROM NONPERFORMANCE, USE, MISUSE OR INABILITY TO USE THE INSINKERATOR PRODUCT OR THE MANUFACTURER’S OR ITS AUTHORIZED SERVICE REPRESENTATIVE’S NEGLIGENCE. MANUFACTURER SHALL NOT BE LIABLE FOR DAMAGES CAUSED BY DELAY IN PERFORMANCE AND IN NO EVENT, REGARDLESS OF THE FORM OF THE CLAIM OR CAUSE OF ACTION (WHETHER BASED IN CONTRACT, INFRINGEMENT, NEGLIGENCE, STRICT LIABILITY, OTHER TORT OR OTHERWISE), SHALL MANUFACTURER’S LIABILITY TO YOU EXCEED THE PRICE PAID BY THE ORIGINAL OWNER FOR THE INSINKERATOR PRODUCT.

The term “consequential damages” shall include, but not be limited to, loss of anticipated profits, business interruption, loss of use or revenue, cost of capital or loss or damage to property or equipment.

Some states do not allow the exclusion or limitation of incidental or consequential damages, so the above limitation may not apply to you. This warranty gives you specific legal rights and you may also have other rights which vary from state to state.

OPERATING INSTRUCTIONS

1. Remove stopper from sink opening and run cold water.
2. Turn on wall switch to start disposer.
3. Slowly insert food waste into disposer. **CAUTION!** Position stopper to minimize possible ejection of material while grinding.
4. After grinding is complete, turn disposer off and run water for a few seconds to flush drain line.

DO...

- First turn on cold water and then turn on the disposer. Continue running cold water for several seconds after grinding is completed to flush the drain line.
- Grind hard materials such as small bones, fruit pits, and ice. A scouring action is created by the particles inside the grind chamber.
- Grind peelings from citrus fruits to freshen up drain smells.
- Use a disposer cleaner, degreaser, or deodorizer as necessary to relieve objectionable odors caused by grease build-up.

DON'T...

- **POUR GREASE OR FAT DOWN YOUR DISPOSER OR ANY DRAIN. IT CAN BUILD UP IN PIPES AND CAUSE DRAIN BLOCKAGES. PUT GREASE IN A JAR OR CAN AND DISPOSE IN THE TRASH.**
- Use hot water when grinding food waste. It is OK to drain hot water into the disposer between grinding periods.
- Fill disposer with a lot of vegetable peels all at once. Instead, turn the water and disposer on first and then feed the peels in gradually.
- Grind large amounts of egg shells or fibrous materials like corn husks, artichokes, etc., to avoid possible drain blockage.
- Turn off disposer until grinding is completed and only sound of motor and water is heard.



CAUTION

Regularly inspect disposer and plumbing fittings for water leaks, as water leaks can cause property damage. Manufacturer cannot be held responsible for property damage as a result of water leaks.

USER-MAINTENANCE INSTRUCTIONS

CLEANING DISPOSER

Over time, food particles may accumulate in the grind chamber and baffle. An odor from the disposer is usually a sign of food buildup. To clean disposer:

1. Place stopper in sink opening and fill sink halfway with warm water.
2. Mix 1/4 cup baking soda with water. Turn disposer on and remove stopper from sink at same time to wash away loose particles.
3. Remove Quiet Collar® Sink Baffle and clean by hand or in dishwasher. Do not operate disposer without Quiet Collar® Sink Baffle in place.

Disposers may also be cleaned with Disposer Care®. This product is not sold by InSinkErator®, but is generally available in major home centers, hardware, and grocery stores. For more information on Disposer Care®, contact Summit Brands at 1-888-476-6688 or www.summitbrands.com.

RELEASING DISPOSER JAM

If motor stops while disposer is operating, disposer may be jammed. To release jam:

1. Turn off disposer and water.
2. Insert one end of self-service Jam-Buster™ Wrench into center hole on bottom of disposer (see Figure A). Work Jam-Buster™ Wrench back and forth until it turns one full revolution. Remove Jam-Buster™ Wrench.
3. Reach into disposer with tongs and remove object(s). Allow disposer motor to cool for 3 - 5 minutes, then lightly push red reset button on disposer bottom (see Figure B). (If motor remains inoperative, check service panel for tripped circuit breakers or blown fuses.)

Figure A

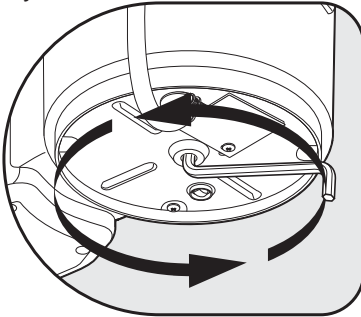
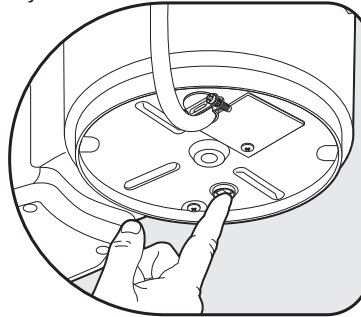


Figure B



INSTRUCTIONS PERTAINING TO RISK OF FIRE, ELECTRIC SHOCK, OR INJURY TO PERSONS

IMPORTANT SAFETY INSTRUCTIONS

⚠ WARNING When using electric appliances, basic precautions are always to be followed, including:

- Read all instructions before using the appliance.
- To reduce the risk of injury, close supervision is required when an appliance is used near children.
- Do not put fingers or hands into a waste disposer.
- Turn the power switch to the off position before attempting to clear a jam, removing an object from the disposer or pressing reset button.
- When attempting to loosen a jam in a waste disposer, use the self-service Jam-Buster™ Wrench.
- When attempting to remove objects from a waste disposer, use long-handled tongs or pliers.
- To reduce the risk of injury by materials that are expellable by a waste disposer, do not operate the disposer without the Quiet Collar® Sink Baffle in place. Do not put the following into a disposer: clam or oyster shells, caustic drain cleaners or similar products, glass, china, or plastic, metal (such as bottle caps, steel shot, tin cans, or utensils), hot grease or other hot liquids.
- When not operating a disposer, leave the stopper in place to reduce the risk of objects falling into the disposer.
- This product is designed to dispose of normal household food waste; inserting materials other than food waste into disposer could cause personal injury and/or property damage.
- To reduce the risk of injury, do not use the sink containing the disposer for purposes other than food preparation (such as baby bathing or washing hair).
- Do not dispose of the following in the disposer: paints, solvents, household cleaners and chemicals, automotive fluids, plastic wrap.
- Replace Quiet Collar® Sink Baffle when worn to help prevent entry or ejection of material and water.
- FIRE HAZARD: Do not store flammable items such as rags, paper or aerosol cans near disposer. Do not store or use gasoline or other flammable vapors and liquids in vicinity of disposer.

SAVE THESE INSTRUCTIONS

⚠ WARNING

Personal Injury: Do not position your head or body under disposer; unit could fall during removal or installation.

⚠ CAUTION

Do not use plumber's putty on any other disposer connection other than sink flange. Do not use thread sealants or pipe dope. These may harm disposer and cause property damage.

⚠ CAUTION

Do not operate disposer without Anti-Vibration Tailpipe Mount™ as water leaks may result.

⚠ WARNING

Improper connection of the equipment-grounding conductor can result in a risk of electric shock. Check with a qualified electrician or serviceman if you are in doubt as to whether the disposer is properly grounded. If the plug provided with the disposer does not fit the outlet, do not modify the plug or attempt to force the plug into the outlet - have a proper outlet installed by a qualified electrician.

- This disposer must be properly grounded.
- Do not attach ground wire to gas supply line.
- Disconnect power before installing or servicing disposer.
- If three-prong grounded plug is used, plug must be inserted into three-hole grounded receptacle.
- All wiring must comply with local electrical codes.
- Do not reconnect electrical current at main service panel until proper grounds are installed.

GROUNDING INSTRUCTIONS

For all grounded, cord-connected disposers:

This disposer must be grounded to reduce the risk of electric shock in the event of a malfunction or breakdown. Grounding provides a path of least resistance for electric current. This disposer is equipped with a cord having an equipment-grounding conductor and a grounding plug. The plug must be plugged into an outlet that is properly installed and grounded in accordance with all local codes and ordinances.

For permanently connected disposers:

This disposer must be connected to a grounded, metal, permanent wiring system; or an equipment-grounding conductor must be run with the circuit conductors and connected to the equipment-grounding terminal or lead on the disposer.



Food waste disposers provide an environmentally responsible alternative to transporting food waste to landfills. And they can help reduce greenhouse gas emissions. At capable wastewater treatment plants, food waste can be converted to biosolids and used as fertilizer. Capable plants can also recycle food waste into renewable energy. (Check the plant in your area.)

For U.S. www.insinkerator.com/green

For Canada www.insinkerator.ca

InSinkErator® may make improvements and/or changes in the specifications at any time, in its sole discretion, without notice or obligation and further reserves the right to change or discontinue models.

The mounting collar configuration is a trademark of Emerson Electric Co.

Evolution Septic Assist®

Food Waste Disposer Designed for Septic System/Triturador
de Desperdicios de Alimentos Diseñado para Sistemas Sépticos

in sink erator

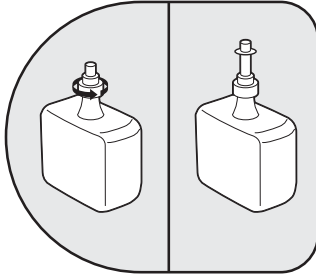
EMERSON
Appliance Solutions

The Emerson logo is a trademark and service mark of Emerson Electric Co.
Printed in the U.S.A. © 2008 InSinkErator, InSinkErator® is a division of Emerson Electric Co.
All Rights Reserved.

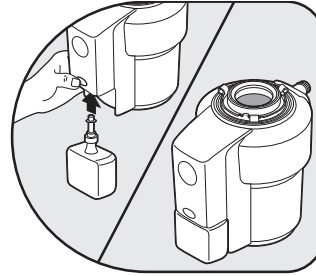
La instalación y el cambiar de la Botella Bio-Charge®

Instale la Botella Bio-Charge®

Use únicamente Bio-Charge® de InSinkErator. Vea Cambio de la Botella Bio-Charge® para las instrucciones de seguridad y para información de cómo obtener los reemplazos del Bio-Charge®. No apriete la Botella Bio-Charge®; apretar la botella puede causar la salida y derrame del Bio-Charge®.



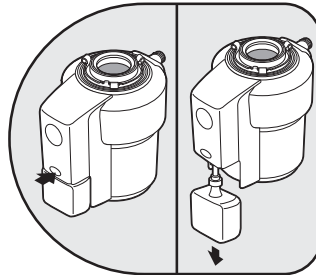
Desatornille la boquilla de la tapa dispensadora del Bio-Charge® hasta que la boquilla se mueva a la posición de dispensamiento. No retire la boquilla de la tapa dispensadora.



Alinee la botella con el lado cóncavo mirando al triturador y mantenga oprimido el botón mientras empuja la botella hacia el soporte de arriba. Suelte el botón. Hale la botella suavemente hacia abajo para asegurarse de que esté acoplada.

Cambio de la Botella Bio-Charge®

Para mantener su sistema séptico funcionando al máximo de eficiencia, reemplace la Botella Bio-Charge® cuando esté vacía o casi vacía. Para cambiar la Botella Bio-Charge®:



Asegúrese de que el triturador está apagado. Oprima el botón del triturador ubicado encima de la botella y hale la botella hacia abajo para retirarla. (No vuelva a llenar o a usar botellas vacías).

Bio-Charge® se encuentra disponible en donde se venda el Triturador Séptico InSinkErator®. Para volver a ordenar Bio-Charge®, preguntas o comentarios, llame al teléfono de llamada gratuita 1 (888) 527-1493.

GARANTÍA TOTAL DE SERVICIO POR 4 AÑOS EN SU HOGAR

Esta es una garantía que InSinkErator®, una división de Emerson Electric Co., ("InSinkErator", "Fabricante", "nosotros", "nos" o "nuestro") brinda al cliente original propietario del producto InSinkErator (el "Producto InSinkErator") y a cualquier otro propietario posterior de la residencia en la que se instaló originalmente el Producto ("Cliente", "usted" o "su").

InSinkErator le garantiza al Cliente que su Producto InSinkErator no tendrá defectos en el material o la mano de obra, sujetos a las exclusiones descritas a continuación, durante un período de 4 años (el "Período de garantía"), que comienza luego de: (a) la fecha en la que se instaló originalmente su Producto InSinkErator, (b) la fecha de compra o (c) la fecha de fabricación indicada por el número de serie de su Producto InSinkErator. Deberá presentar la documentación escrita correspondiente para justificar (a) o (b). En caso de que no pueda presentar la documentación para justificar (a) o (b), la fecha de inicio del Período de Garantía quedará a consideración del Fabricante, bajo su único y absoluto criterio, basado en el número de serie del Producto InSinkErator.

Qué cubre la garantía

Esta garantía cubre los defectos en el material o la mano de obra, sujetos a las exclusiones descritas a continuación, en lo que respecta a los Productos InSinkErator a los que el Cliente confiera un uso doméstico únicamente, e incluye todas las piezas de repuesto y los gastos de reparación. SU ÚNICO Y EXCLUSIVO RECURSO SEGÚN LOS TÉRMINOS DE ESTA GARANTÍA LIMITADA SERÁ LA REPARACIÓN O EL REEMPLAZO DEL PRODUCTO INSINKERATOR.

Qué no cubre la garantía

Esta garantía limitada no se extiende y excluye expresamente lo siguiente:

- Pérdidas, daños o incapacidad de operar el Producto InSinkErator, como resultado de circunstancias fuera del control del Fabricante, sin limitaciones, tales como: accidente, alteración, mal uso, abuso, abandono, negligencia (de otra persona que no sea el Fabricante), instalación, mantenimiento, ensamblaje o montaje inadecuados del Producto InSinkErator que no respeten las instrucciones del Fabricante o los códigos eléctricos y/o de plomería locales.
- Desgaste como resultado del uso normal del producto, lo que incluye sin limitaciones, oxidación de la superficie, rayones, abolladuras o pérdidas o daños similares y razonables. Además de las exclusiones antes descritas, esta garantía no se aplica en caso de que los Productos InSinkErator se instalen para fines industriales o comerciales.

No se aplica ninguna otra garantía expresa

Esta es la única y exclusiva garantía que se le brinda al Cliente descrito anteriormente. No se aplica ninguna otra garantía expresa, oral o escrita. No se autoriza a ningún empleado, agente, distribuidor u otra persona a alterar esta garantía limitada o a brindar cualquier otra garantía en nombre del Fabricante. Ninguna persona podrá modificar los términos de esta garantía, independientemente de si se trata del Fabricante, el propietario original o sus respectivos sucesores o beneficiarios.

Qué haremos para solucionar los problemas

Si su Producto InSinkErator no funciona de acuerdo con la documentación que usted recibió, o si tiene dudas acerca de su Producto InSinkErator o no sabe cómo determinar cuándo necesita servicio técnico, comuníquese con la línea de ayuda gratuita InSinkErator AnswerLine® al 1 (800) 558-5700 o bien, visite nuestra página web en www.insinkerator.com. También puede escribirnos a: Centro de Servicio InSinkErator, 4700 21st Street, Racine, Wisconsin, 53406, EE. UU.

En el reclamo de garantía debe especificar la siguiente información:

su nombre, dirección, número de teléfono, modelo y número de serie de su Producto InSinkErator y, si es necesario o si se lo solicitan, una confirmación por escrito de: (a) la fecha que figura en su recibo de instalación, o (b) la fecha que figura en su recibo de compra.

El Fabricante o el representante de servicio autorizado determinarán, bajo su único y absoluto criterio, si esta garantía cubre su Producto InSinkErator. Se le proporcionará la información de contacto del Centro de Servicio Autorizado de InSinkErator más cercano.

Comuníquese directamente con dicho centro para recibir servicios de reparación o reemplazo cubiertos por la garantía en su hogar. El representante de servicio autorizado de InSinkErator es el único capaz de brindarle el servicio de garantía. InSinkErator no se hace responsable por los reclamos de garantía que surjan como consecuencia de trabajos realizados en su Producto InSinkErator por cualquier otra persona que no sea el representante de servicio autorizado de InSinkErator.

Si un reclamo cubierto se realiza durante el Período de Garantía, el Fabricante reparará o reemplazará su Producto InSinkErator por intermedio de su representante de servicio autorizado. Usted no deberá afrontar el costo de las piezas de repuesto o de un nuevo Producto InSinkErator, ni el costo de mano de obra para la reparación o instalación del Producto InSinkErator de reemplazo. El Fabricante o su representante de servicio autorizado, bajo su exclusivo criterio, determinarán si es necesaria la reparación o el reemplazo del producto. Recibirá todos los servicios de reparación o reemplazo en su hogar. Si el Fabricante determina que se debe reemplazar su Producto InSinkErator en vez de repararlo, la garantía del Producto InSinkErator de reemplazo se limitará al plazo vigente de la garantía original.

Limitación de responsabilidad

EN LA MEDIDA EN QUE LO PERMITA LA LEY, EL FABRICANTE O SUS REPRESENTANTES DE SERVICIO AUTORIZADOS NO SERÁN RESPONSABLES POR DAÑOS INCIDENTALES, ESPECIALES, INDIRECTOS O CONSECUENTES, TALES COMO DAÑOS PATRIMONIALES, YA SEA QUE SEAN CONSECUENCIA DEL INCUMPLIMIENTO, USO, MAL USO O INCAPACIDAD DE USAR EL PRODUCTO INSINKERATOR, O DE LA NEGLIGENCIA DEL FABRICANTE O SUS REPRESENTANTES DE SERVICIO AUTORIZADOS. EL FABRICANTE NO SERÁ RESPONSABLE POR LOS DAÑOS CAUSADOS POR EL RETRASO EN EL RENDIMIENTO Y EN NINGÚN CASO, SIN IMPORTAR EL TIPO DE RECLAMO O LAS MEDIDAS IMPLEMENTADAS (AUNQUE SE BASEN EN EL CONTRATO, UNA CONTRAVENCIÓN, LA NEGLIGENCIA, LA RESPONSABILIDAD ESTRICTA, OTRO AGRAVIO, ETC.), SU RESPONSABILIDAD EXCEDERÁ EL PRECIO QUE EL PROPIETARIO ORIGINAL HAYA PAGADO POR EL PRODUCTO INSINKERATOR.

El término "daños consecuentes" debe incluir, entre otros, la pérdida de ganancias anticipadas, la interrupción de los negocios, la falta de uso o ingresos, el costo del capital, o la pérdida o daño a la propiedad o al equipo.

Algunos estados prohíben la exclusión o limitación de los daños incidentales o consecuentes, de modo que estas limitaciones pueden no aplicarse en su caso. Esta garantía le otorga derechos legales específicos y también puede tener otros derechos que varían según el estado.

INSTRUCCIONES DE OPERACION

1. Retire el tapón del fregadero y haga correr agua fría.
2. Encienda el interruptor de pared para arrancar el triturador.
3. Introduzca lentamente los desperdicios de comida dentro del triturador. **¡PRECAUCIÓN!** Coloque el tapón para disminuir la posibilidad de que los materiales salgan despedidos durante la trituración.
4. Luego de que la trituración esté completa, apague el triturador y deje correr el agua durante unos segundos para enjuagar la línea de drenaje.

LO QUE DEBE HACER

- Primero haga correr el agua fría y luego encienda el triturador. Después de que termine la trituración, deje correr el agua durante varios segundos para enjuagar la línea de drenaje.
- Triture materiales duros como huesos pequeños, carozos de frutas y hielo. Las partículas crean una acción de restregado en el interior de la cámara de trituración.
- Triture cáscaras de frutas cítricas para refrescar el olor del drenaje.
- Utilice un limpiador, desengrasante o desodorante para trituradores cuando sea necesario a fin de eliminar malos olores causados por la acumulación de grasa.

LO QUE NO DEBE HACER

- **NO VIERTA GRASA NI ACEITE EN EL TRITURADOR NI EN NINGÚN DRENAJE. ESTOS MATERIALES SE PUEDEN ACUMULAR EN LAS CAÑERÍAS Y TAPAR EL DRENAJE. COLOQUE LA GRASA EN UN FRASCO O LATA Y DESÉCHELO EN LA BASURA.**
- No use agua caliente para triturar desperdicios de comidas. Puede dejar correr agua caliente en el triturador entre períodos de trituración.
- No llene el triturador con demasiadas cáscaras de vegetales al mismo tiempo. Primero abra la llave del agua y encienda el triturador y luego coloque las cáscaras gradualmente.
- No triture grandes cantidades de cáscaras de huevo ni materiales fibrosos como barbas del choclo, alcachofas, etc., pues ello podría obstruir el drenaje.
- No apague el triturador hasta que la trituración esté completa y sólo se escuche el sonido del motor y del agua.



⚠ PRECAUCIÓN

Revise periódicamente el triturador y los acoples de plomería para ver si hay fugas de agua, ya que éstas pueden ocasionar daños a la propiedad. El fabricante no es responsable de los daños a la propiedad resultantes de las fugas de agua.

INSTRUCCIONES DE MANTENIMIENTO PARA EL USUARIO

LIMPIEZA DEL TRITURADOR

Con el tiempo, las partículas de comida se pueden acumular en la cámara de trituración y el deflector. Los malos olores provenientes del triturador son generalmente un signo de acumulación de grasa y comida causada por el flujo de agua insuficiente durante y después del uso del triturador. Para limpiar el triturador:

1. Apague el triturador y desconecte la corriente eléctrica.
2. Coloque el tapón en la abertura del fregadero y llénelo con agua tibia hasta la mitad.
3. Mezcle 1/4 de taza de bicarbonato de sodio con agua. Encienda el triturador y retire el tapón del fregadero al mismo tiempo para eliminar las partículas sueltas.
4. Retire el deflector del fregadero Quiet Collar® y límpielo a mano o en el lavavajillas. No opere el triturador sin el deflector del fregadero Quiet Collar® en su lugar.

Los trituradores también se pueden limpiar con Disposer Care®. InSinkErator no vende este producto, pero generalmente se lo consigue en las principales tiendas de artículos para el hogar, en ferreterías y en tiendas de abarrotes. Si desea obtener más información sobre Disposer Care®, comuníquese con Summit Brands al 1-888-476-6688 o visite www.summitbrands.com.

CÓMO LIBERAR LAS OBSTRUCCIONES DEL TRITURADOR

Si el motor se detiene durante el funcionamiento del triturador, podría estar bloqueado. Para liberar las obstrucciones:

1. Apague el triturador y cierre la llave de agua.
2. Inserte un extremo de la llave incorporada Jam-Buster™ en el orificio central, en el fondo del triturador (ver Figura A). Mueva la llave Jam-Buster™ hacia adelante y hacia atrás hasta que gire una vuelta completa. Quite la llave Jam-Buster™.
3. Introduzca unas tenazas dentro del triturador y retire el objeto u objetos. Deje enfriar el motor durante 3 a 5 minutos y luego oprima suavemente el botón de reposición rojo ubicado en la parte inferior del triturador (ver Figura B). (Si el motor no funciona, revise el panel de servicio para ver si hay interruptores de circuito activados o fusibles quemados.)

Figura A

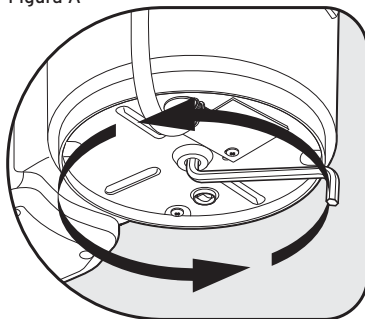
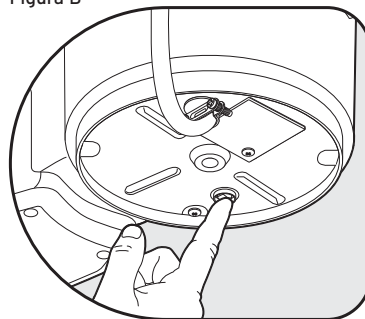


Figura B



INSTRUCCIONES CORRESPONDIENTES A RIESGO DE INCENDIO, DESCARGAS ELÉCTRICAS O LESIONES A PERSONAS (GUARDE ESTAS INSTRUCCIONES)

INSTRUCCIONES IMPORTANTES PARA SU SEGURIDAD

⚠ ADVERTENCIA

Al usar artefactos electrodomésticos, siempre se deben tomar precauciones básicas, las que incluyen:

- Lea todas las instrucciones antes de utilizar el aparato.
- Para reducir el riesgo de lesiones, se requiere estrecha supervisión cuando se usa un artefacto cerca de niños.
- No ponga los dedos ni las manos dentro de un triturador de desperdicios.
- Coloque el interruptor de encendido en la posición de apagado antes de tratar de eliminar un atasco, retirar un objeto del triturador de desperdicios o presionar el botón de reposición.
- Cuando intente desatascar un triturador de desperdicios de comida, utilice la llave incorporada Jam-Buster™.
- Al tratar de extraer objetos de un triturador de desperdicios use tenazas o pinzas de mango largo.
- Para reducir el riesgo de sufrir lesiones por materiales que salgan despedidos del triturador de desperdicios, no lo opere sin tener el deflector del fregadero Quiet Collar® en su lugar. No coloque los siguientes elementos dentro de un triturador: conchas de almejas u ostras, limpiadores de drenaje cáusticos o productos similares, vidrio, loza o plástico, metales (como tapas de botellas, granalla de acero, latas o utensilios), grasa caliente u otros líquidos calientes.
- Cuando el triturador no esté en funcionamiento, deje la tapón del drenaje en su lugar para reducir el riesgo de que algún objeto caiga en el triturador.
- Este producto está diseñado para deshacerse de desperdicios normales de los alimentos hogareños; insertar materiales que no son desperdicios en el triturador podría ocasionar lesiones personales o daños a la propiedad.
- Para reducir el riesgo de lesiones, no utilice el fregadero o pileta que contiene el triturador para tareas que no sean de preparación de los alimentos (como bañar a un bebé o lavarse el cabello).
- No elimine ninguno de los siguientes elementos en el triturador: pinturas, solventes, limpiadores de uso doméstico, productos químicos, líquidos para automóviles o envolturas de plástico.
- Para evitar que cualquier material ingrese o salga despedido y que se salpique agua, reemplace el deflector del fregadero Quiet Collar® cuando éste se desgaste.
- PELIGRO DE INCENDIO: No guarde artículos inflamables, como trapos, papel o aerosoles, cerca del triturador. No guarde ni utilice gasolina ni otros vapores o líquidos inflamables cerca del triturador.

GUARDE ESTAS INSTRUCCIONES

⚠ ADVERTENCIA

Lesiones personales: No coloque la cabeza ni el cuerpo debajo del triturador, ya que la unidad podría caerse mientras lo retira o instala.

⚠ PRECAUCIÓN

No opere el triturador sin el Dispositivo Anti-Vibration Tailpipe Mount™ ya que puede haber fugas de agua.

INSTRUCCIONES PARA LA CONEXIÓN A TIERRA

Instrucciones para todos los trituradores con conexión a tierra conectados por cable:

El triturador debe estar conectado a tierra a fines de reducir el riesgo de descarga eléctrica en caso de mal funcionamiento o avería. La conexión a tierra proporciona una vía de menor resistencia para la corriente eléctrica. Este triturador está equipado con un cable que tiene un conductor de conexión a tierra del equipo y un enchufe de conexión a tierra. El enchufe debe estar conectado a un tomacorriente que esté instalado correctamente y con conexión a tierra de acuerdo con todos los reglamentos y códigos locales.

Instrucciones para los trituradores de desperdicios de comida de conexión permanente:

El triturador debe estar conectado a un sistema de cableado permanente de metal y con conexión a tierra, o bien el conductor de conexión a tierra del equipo debe funcionar junto con los conductores de circuito y estar conectado al cable o terminal con conexión a tierra del equipo del triturador.

⚠ PRECAUCIÓN

No utilice masilla de plomería ni ninguna otra conexión del triturador que no sea la brida del fregadero. No utilice sellador de rosca ni grasa para rosca de cañerías. Estos productos pueden dañar el triturador y ocasionar daños a la propiedad.

⚠ ADVERTENCIA

La conexión incorrecta del conductor de conexión a tierra del equipo puede representar un riesgo de descarga eléctrica. Consulte a un electricista calificado o especialista en reparaciones si tiene dudas sobre la conexión a tierra del triturador. Si el enchufe que viene con el triturador no coincide con el tipo de tomacorriente, no altere el enchufe ni lo fuerce para que entre en el tomacorriente; pídale a un electricista calificado que instale un tomacorriente adecuado.

- Ce broyeur doit être correctement mis à la terre.
- Ne pas fixer de fil de mise à la terre au tuyau d'alimentation du gaz.
- Couper l'alimentation électrique avant d'installer ou de réparer le broyeur.
- Si une fiche de mise à la terre à trois branches est utilisée, celle-ci doit être insérée dans une prise de trois trous mise à la terre.
- Tout le câblage utilisé doit être conforme aux codes de l'électricité locaux en vigueur.
- Ne pas remettre le courant au panneau principal avant que des conducteurs de mise à la terre ne soient installés.



Los trituradores de desperdicios de comida proporcionan una alternativa ecológica para evitar el transporte de los desperdicios de comida a basureros. Y pueden ayudar a reducir las emisiones de los gases que provocan el efecto invernadero. En las plantas de tratamiento de aguas residuales adecuadas, los desperdicios de comida pueden transformarse en biosólidos y utilizarse como fertilizantes. Estas plantas también pueden reciclar los desperdicios de comida para producir energía renovable. (Constátelo con la planta de su área).

Para EEUU www.insinkerator.com/green

Para Canadá www.insinkerator.ca

InSinkErator® se réserve le droit, à sa seule discrétion, d'apporter en tout temps des améliorations ou des modifications aux spécifications sans préavis ou obligation de sa part, ou de modifier ou de supprimer des modèles.

La configuration du collier de fixation est une marque de commerce de Emerson Electric Co.

Evolution Septic Assist®

Food Waste Disposer Designed for Septic System/Tritrador de Desperdicios de Alimentos Diseñado para Sistemas Sépticos

insinkerator

EMERSON
Appliance Solutions

El logotipo de Emerson es una marca registrada y una marca de servicio de Emerson Electric Co. Impreso en los EE.UU. © 2008 InSinkErator, InSinkErator es una división de Emerson Electric Co. Todos los derechos reservados.