



PRO Series® Food Waste Disposers



PRO 750™ Evolution Series®

Perfect for small households or restricted cabinet space.

Submittal Sheet

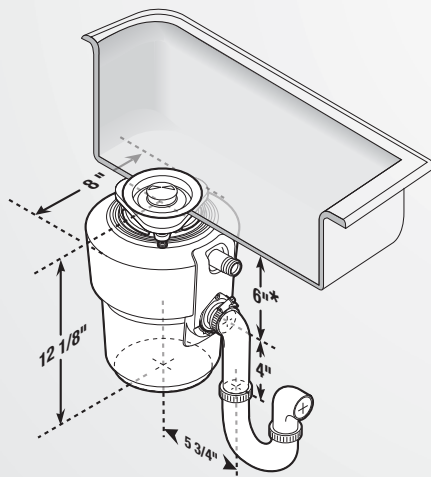
Perfect for small households or restricted cabinet space.

- **SoundSeal®** technology delivers quiet performance versus a standard disposer.
- **MultiGrind®** technology delivers 2 stages of grind vs. 1 stage in standard disposer.
- Includes sound-reducing Quiet Collar® Sink Baffle containing antimicrobial material.
- Made in USA exclusively for professional plumbing contractors.

Specifications

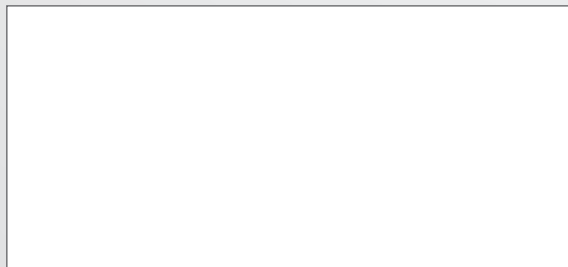
Type of Feed	Continuous
On/Off Control	Wall Switch
Motor	Single Phase
HP	3/4
Reversing	Auto-Reverse Grind System® feature
Volts	120
HZ	60
RPM	1725
Amp. (Avg. Load)	9.52
Time Rating	Intermittent
Lubrication	Permanently Lubricated Upper & Lower Bearings
Shipping Weight (Approx.)	18.8 lbs.
Unit Finish	Black Enamel Black
Overall Height	12-1/8"
SoundSeal Plus Technology	Anti-Vibration Mount® Anti-Vibration Tailpipe Mount™ Antimicrobial Quiet Collar® Sink Baffle SoundLimiter™ Insulation
MultiGrind Technology	GrindShear Ring®
Grind Chamber Capacity	34.6 oz.
Motor Protection	Manual Reset Overload
Average Water Usage	Approx. 1 Gallon Per Person Per Day
Average Electrical Usage	3-4 KWh Per Year
Drain Connection	1-1/2" Anti-Vibration (Hose Clamp)
Dishwasher Drain Connection	Yes

Dimensions



* Add 1/2" when stainless steel sinks are used.

Job Specifications



Sample Specification

Food Waste Disposer(s) shall be InSinkErator Model PRO 750™ with MultiGrind® and SoundSeal® technologies, 3/4 HP motor, Auto-Reverse Grind System® feature and Stainless Steel Grind components.

Warranty:
We Come To You® 6-Year In-Home Limited Warranty.

* The complete InSinkErator warranty is included in the Care & Use Booklet packed with each unit.



Food waste disposers can provide an environmentally responsible alternative to transporting food waste to landfills. And they can help reduce greenhouse gas emissions. At capable wastewater treatment plants, food waste can be recycled into renewable energy and fertilizer. (Check the plant in your area.)

www.insinkerator.com/green



The mark of responsible forestry
BV-COC-080715
© 1996 Forest Stewardship Council A.C.



EMERSON™
Commercial & Residential Solutions

The Emerson logo is a trademark and service mark of Emerson Electric Co. The mounting collar configuration is a trademark of Emerson Electric Co.

InSinkErator may make improvements and/or changes in the specifications at any time, in its sole discretion, without notice or obligation and further reserves the right to change or discontinue models.

1-800-558-5700
www.insinkerator.com