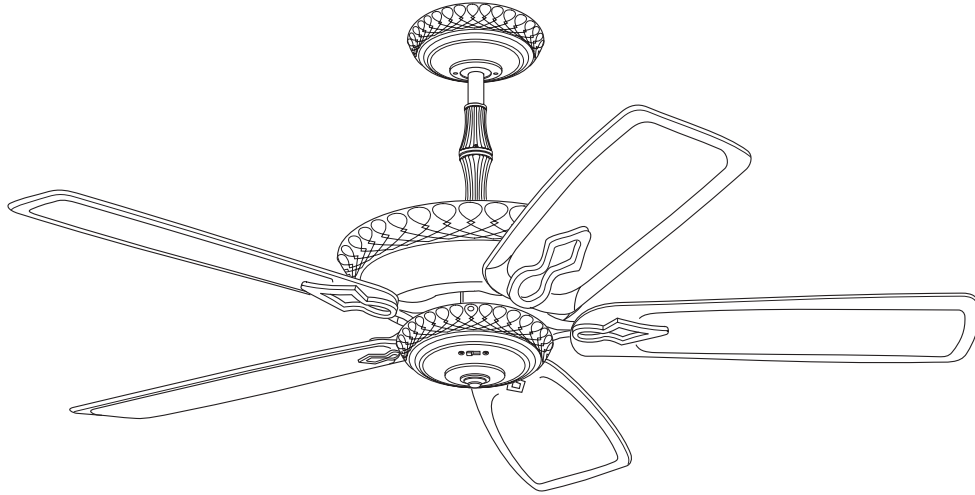


READ AND SAVE THESE INSTRUCTIONS



EMERSONTM

MONACOTM

**60" Ceiling Fan
Owner's Manual**

Model Number

**CF830GES00
Golden Espresso**

Net Weight: **35.3** Lbs.

⚠ WARNING

WARNING: To avoid fire, shock, and serious personal injury, follow these instructions.

Safety Instructions

1. Read your owner's manual carefully and keep it for future reference
2. Before attempting installation, servicing or cleaning unit, switch power off at service panel and lock service panel disconnecting means to prevent power from being switched on accidentally. When the service disconnecting means cannot be locked, securely fasten a warning device, such as a tag, to the service panel.
3. Be careful of the fan and blades when cleaning, painting, or working near the fan. Always turn off the power to the ceiling fan before servicing.
4. Do not put anything into the fan blades while they are turning.

Additional Safety Instructions for Installation

1. To avoid possible shock, be sure electricity is turned off at the fuse box before wiring, and do not operate fan without blades.
2. All wiring must be in accordance with the National Electrical Code "ANSI/NFPA 70-2008" and Local Electrical Codes. Use the National Electrical Code if Local Codes do not exist. The ceiling fan must be grounded as a precaution against possible electrical shock. Electrical installation should be made or approved by a licensed electrician.
3. The outlet box and joist must be securely mounted and capable of reliably supporting a least 50 pounds. Use only U.L. outlet boxes listed as "Acceptable for Fan Support of 50 lbs. or Less", and use the mounting screws provided with the outlet box. Most outlet boxes commonly used for support of light fixtures are not acceptable for fan support and may need to be replaced. Consult a qualified electrician if in doubt.
4. The longer downrod (10") furnished with the ceiling fan provides the minimum recommended floor-to-fan blade clearance for a 9-foot ceiling. The 4.5" downrod (supplied) is to be used for shorter ceilings.
5. The fan must be mounted with the fan blades at least 7 feet from the floor to prevent accidental contact with the fan blades.
6. Follow the recommended instructions for the proper method of wiring your ceiling fan. If you do not know enough about electrical wiring, have your fan installed by a licensed electrician.

NOTE: This fan is suitable for use with solid-state speed controls.

WARNING: To reduce the risk of fire or electric shock, this fan should only be used with fan speed control, Model No. SW90/U.L. No. UC9031, manufactured by Rhine Electric Co., Ltd.

WARNING: To avoid fire, shock or injury, do not use an Emerson or any other brand of control not specifically approved for this fan.

WARNING: This product is designed to use only those parts supplied with this product and/or any accessories designated specifically for use with this product by Emerson Electric Co. Substitution of parts or accessories not designated for use with this product by Emerson Electric Co. could result in personal injury or property damage.

WARNING: To reduce the risk of personal injury, do not bend the blade flange when installing the blade flanges, balancing the blades or cleaning the fan. Do not insert foreign objects in between rotating fan blades.

WARNING: To reduce the risk of electrical shock, this fan must be installed with a general use, isolating wall control/switch.

**FOR CANADA, THIS FAN MUST BE SECURED DIRECTLY TO THE BUILDING STRUCTURE/CEILING JOIST.
DO NOT SECURE THIS FAN TO AN OUTLET BOX.**

DATE CODE: _____

The date code of this fan may be found on the box, stamped in ink on a white label.

You should record this data above and keep it in a safe place for future use.

This Manual Is Designed to Make it as Easy as Possible for You to Assemble, Install, Operate and Maintain Your Ceiling Fan

Tools Needed for Assembly

One stepladder
 One wire stripper
 One Phillips head screwdriver

Installed Wire Length	Wire Size A.W.G.
Up to 50 ft.	14
50-100 ft.	12

MATERIALS

Wiring outlet box and box connectors must be of type required by the local code. The minimum wire would be a 3-conductor (2-wire with ground) of the wire size, to right:

⚠ WARNING

If you feel you do not have enough wiring knowledge or experience, have your fan installed by a licensed electrician.

Unpacking Instructions

For your convenience, check-off boxes are provided next to each step. As each step is completed, place a check mark in the box. This will insure that all steps have been completed and will be helpful in finding your place should you be interrupted.

⚠ WARNING

Do not install or use fan if any part is damaged or missing. Call Toll-Free:

1-800-654-3545

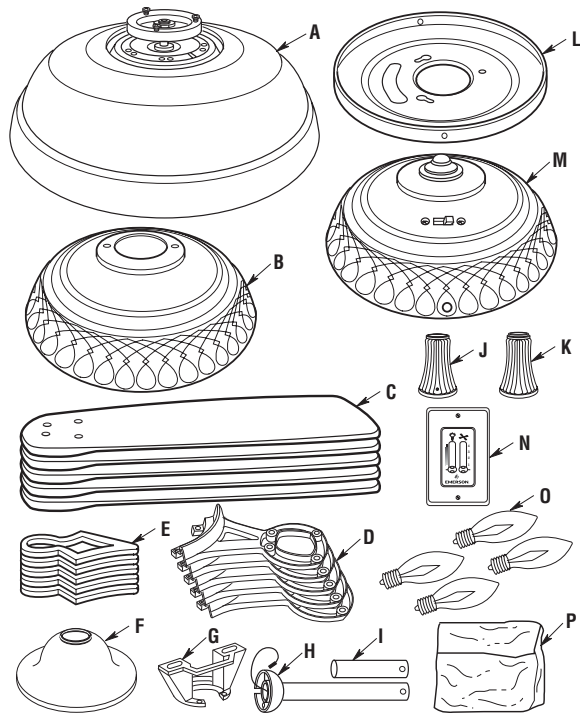
⚠ WARNING

This product is designed to use only those parts supplied with this product and/or any accessories designated specifically for use with this product by Emerson Electric Co. Substitution of parts or accessories not designated for use with this product by Emerson Electric Co. could result in personal injury or property damage.

6. Two #8 external tooth lockwashers
7. Eleven 1/4-20 x 12mm oval head CR screws
8. Twenty-one #10-32 x 22mm oval head CR screws
9. Five #8-32 x 10mm pan head CR screws
10. One 2mm hex wrench
11. One balancing kit

NOTE: Place the parts from the loose parts bags in small containers to keep them from being lost. If any parts are missing, contact your local retailer or catalog outlet for replacement before proceeding.

1. Open styrofoam unit containing fan. Remove upper and center sections of styrofoam unit. Remove parts and check to see that you have received the following:
 - a. One Fan Motor and Housing Assembly
 - b. One Ceiling Cover
 - c. Five Fan Blades
 - d. Five Flange Assemblies
 - e. Five Flange Medallion Assemblies
 - f. One Coupling Cover
 - g. One Hanger Bracket
 - h. One 10" Downrod/Hanger Ball Assembly
 - i. One 4.5" Downrod
 - j. One Decorative Upper Scroll
 - k. One Decorative Lower Scroll
 - l. One Switch Housing Adapter
 - m. One Switch Cup/Finial Nut Assembly
 - n. One Fan/Light Dual Slide Wall Control (transmitter)
 - o. Four 40 Watt Candelabra Base Bulbs
 - p. One loose parts bag containing:
 1. One clevis pin
 2. One hairpin clip
 3. Five 12 Ga wire nut connectors
 4. Two #8-32 x 1-14" threaded studs
 5. Two #8-32 knurled knobs



IMPORTANT: Your ceiling fan is supplied with an Fan/Light Dual Slide Wall Control (transmitter). This allows you to regulate your ceiling fan speed, airflow direction, and light intensity. Optional Emerson Electric Remote and Wall Control may also be used, see store or catalog.

IMPORTANT: Your ceiling fan will not function properly and may be damaged, if used with any wall dimmer switch or control other than the Emerson controls listed above.

Electrical Requirements

Your new ceiling fan will require a grounded electrical supply line of 120 volts AC, 60 Hz, 15 amp circuit.

The outlet box must be securely anchored and capable of withstanding a load of at least 50 pounds.

WARNING

To reduce the risk of fire, electric shock, or personal injury, mount fan to outlet box marked "Acceptable for Fan Support of 50 lbs. or Less", and use screws supplied with outlet box. Most outlet boxes commonly used for support of light fixtures are not acceptable for fan support and may need to be replaced. Consult a qualified electrician if in doubt.

If your fan is to replace an existing ceiling light fixture, turn electricity off at the main fuse box at this time and remove the existing light fixture.

WARNING

Turning off wall switch is not sufficient. To avoid possible electrical shock, be sure electricity is turned off at the main fuse box before wiring. All wiring must be in accordance with national and local codes and the ceiling fan must be properly grounded as a precaution against possible electrical shock.

WARNING

To avoid possible fire or shock, follow all wiring instructions carefully. Any electrical work not described in these instructions should be done or approved by a licensed electrician.

Ceiling Fan Assembly Procedures

IMPORTANT: Remove the five motor retainers from the motor hub and discard the retainers and retainer screws before installation of flange/blade assembly (Figure 1).

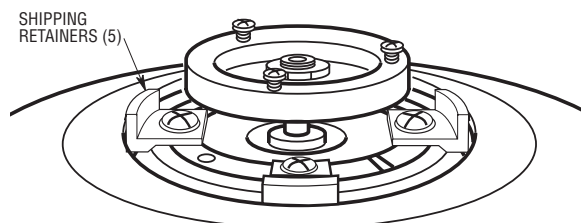


Figure 1

- Position the flange medallion upside down on a soft, clean surface. Place the blade with the decorative side facing down onto the flange medallion. Attach the flange assembly to the blade and flange medallion using the four #10-32 x 22mm oval head screws as shown in Figure 2. Repeat for the four remaining blades.

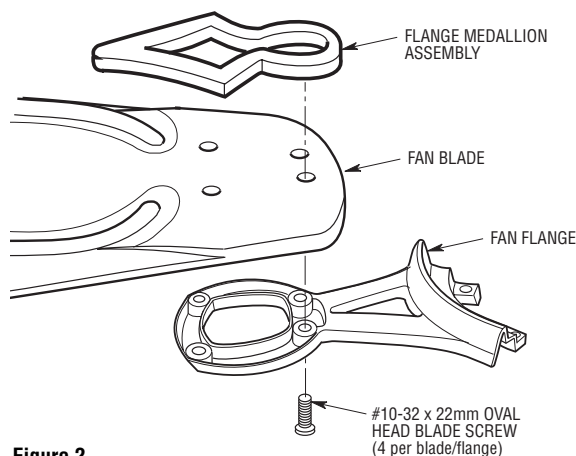


Figure 2

NOTE: Take care not to scratch fan housing when installing blades.

- The flange assemblies have interlocking tabs, be sure that the flanges are installed in a clockwise manner to engage the interlocking feature. Be sure all the flanges are properly engaged and then tighten the flange screws. If one of the flanges do not seat properly on the motor hub, loosen the adjacent flange screws, re-engage and reseat the flanges, then tighten the screws again.
- Attach the blade/flange assembly using two 1/4-20 x 12mm oval head screws (Figure 3). Install the remaining four fan blades assemblies using the same procedure.
- Gently snug all flange screws to the motor housing, working around the housing in a clockwise sequence. Failure to follow this procedure could result in fan wobble. This completes the blade installation.

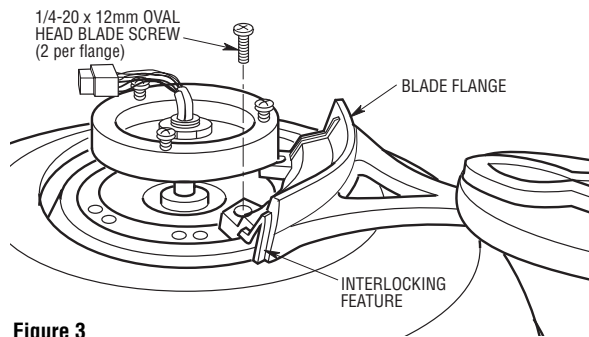


Figure 3

⚠ WARNING

To reduce the risk of personal injury, do not bend the blade flange when installing the blade flanges, balancing the blades or cleaning the fan. Do not insert foreign objects in between rotating fan blades.

- 5. Remove and retain one of the switch housing mounting screws (Figure 4) from the motor hub. Loosen the two remaining switch housing screws.
- 6. Position the switch housing adapter onto the motor hub. Rotate the switch housing adapter clockwise to engage the key hole slots (Figure 4). Secure the switch housing adapter to the fan motor housing by reinstalling the previously removed screw into the remaining hole. Tighten the three screws at this time.

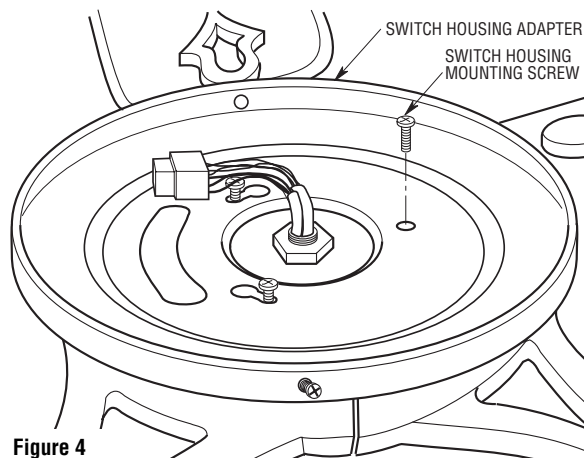


Figure 4

- 7. Engage the connector of the switch housing to the switch housing adapter connector (Figure 5). The two connectors are keyed and color-coded and must be mated correctly (color-to-color) before they can be engaged. Be sure the connector latch closes properly.

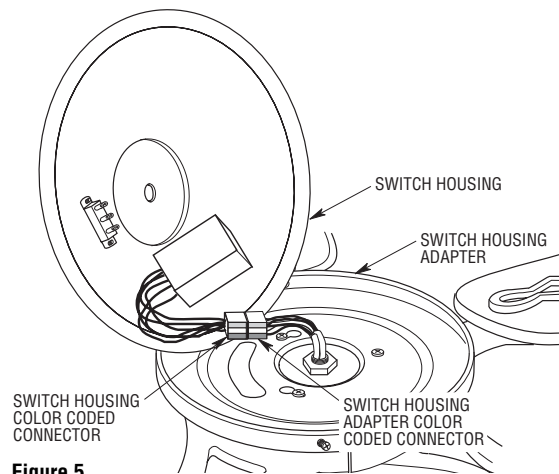


Figure 5

CAUTION: Before installing and tightening the screws, be sure there are no wires pinched between the switch housing adapter and the switch housing.

- 8. Make sure all wires and connectors are inside the switch housing, then position the switch housing on the switch housing plate aligning the three holes for installation.
- 9. Secure the switch housing by installing the four #8-32 x 10mm pan head screws (Figure 6).

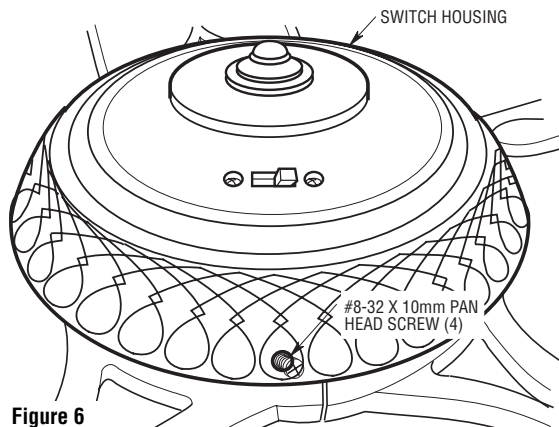


Figure 6

⚠ WARNING

To avoid possible fire or shock, do not pinch wires between the switch housing and the switch housing adapter.

- 10. Carefully turn partially assembled fan upside down and place gently in the styrofoam from carton, in preparation of final installation.

- 11. Obtain the 10" hanger ball/downrod assembly and remove the hanger ball by loosening the setscrew in the hanger ball until the ball falls freely down the downrod (Figure 7). Remove the pin from the downrod, then remove the hanger ball. Retain the pin and hanger ball for reinstallation in Step 22. Discard the 10" downrod if using the 4.5" downrod.

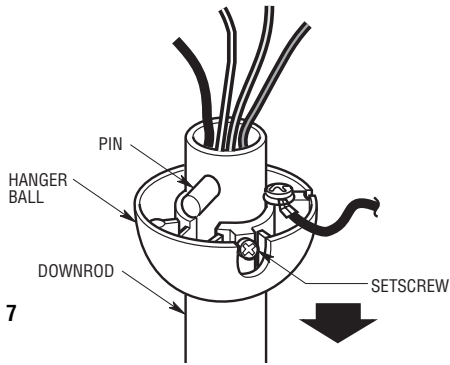



Figure 7

NOTE: The longer downrod (10") furnished with the ceiling fan provides the minimum recommended floor-to-fan blade clearance for a 9-foot ceiling. The 4.5" downrod (supplied) is to be used for shorter ceilings.

- 12. Separate, untwist and unkink the black, white and blue motor 80" motor leads. Route these wires through the desired downrod.
- 13. Loosed the two setscrews in the motor coupling. Slide the downrod down the wires and seat the downrod in the motor coupling (Figure 8).
- 14. Align the clevis pin holes in the downrod with the holes in the motor coupling. Install the clevis pin and secure with the hairpin clip (Figure 8). The clevis pin must go through the holes in the motor coupling and the holes in the downrod. Be sure to push the straight leg of the hairpin clip through the hole near the end of the clevis pin until the curved portion of the hairpin clip snaps around the clevis pin. The hairpin clip must be properly installed to prevent the clevis pin from working loose. Pull on the downrod to make sure the clevis pin is properly installed.
- 15. While pulling up on the downrod, securely tighten the two setscrews in the motor coupling (Figure 8).

NOTE: The two setscrews must be properly installed as described above, or fan wobble could result.

 WARNING
<p>It is critical that the clevis pin in the motor coupling is properly installed and the setscrew securely tightened. Failure to verify that the pin and setscrew are properly installed could result in the fan falling.</p>

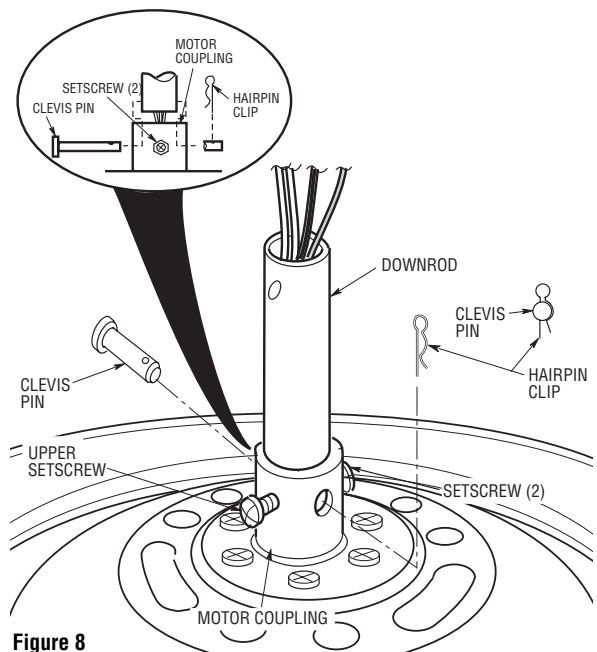


Figure 8

NOTE: If installing ceiling fan on shorter ceilings and using the 4.5" downrod, proceed to Step 16 and then onto Step 21.

If installing ceiling fan on a minimum recommended floor-to-fan clearance for a 9-foot ceiling using the 10" downrod, proceed to Step 17.

- 16. **4.5" Downrod Installation:** Be sure the grommet is properly installed in the coupling cover, then slide the coupling cover on the downrod until it rests on the motor housing. Be sure that the coupling cover is oriented correctly (Figure 9). Proceed to Step 21 to complete assembly.

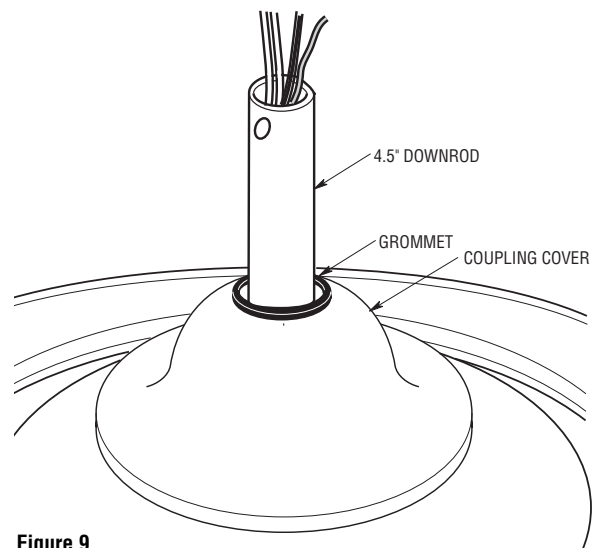


Figure 9

- 17. **10" Downrod Installation:** Remove the grommet from the coupling cover, then slide the coupling cover on the downrod until it rests on the motor housing. Be sure that the coupling cover is oriented correctly (Figure 10).
- 18. Slide the decorative lower scroll onto the 10" downrod, positioning the lower lip of the scroll into the hole of the coupling cover (Figure 10).
- 19. Slide the decorative upper scroll onto the 10" downrod, positioning the three interlocking tabs of the decorative upper scroll into the interlocking tabs of the decorative lower scroll (Figure 10).
- 20. Tighten the decorative upper scroll to the 10" downrod using the supplied 2mm hex wrench (Figure 10).

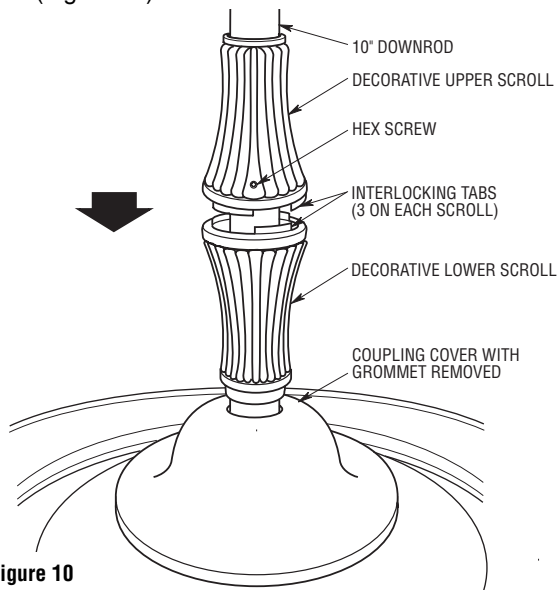


Figure 10

- 21. Position the ceiling cover over the downrod. Be sure the cover is oriented correctly, with the large opening at the top (Figure 11).

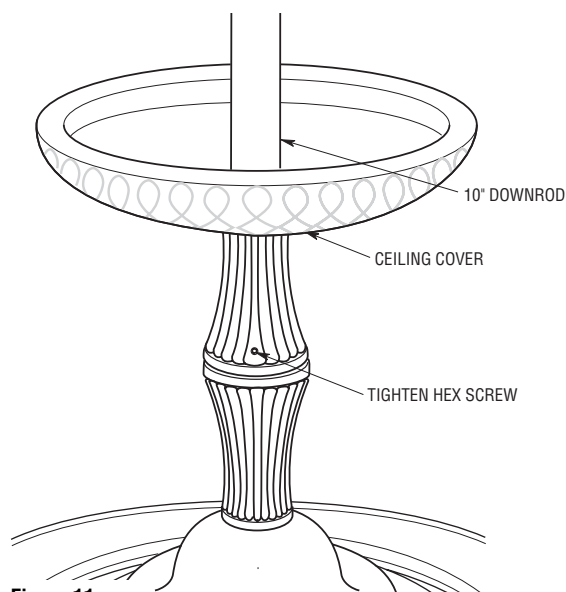


Figure 11

- 22. Reinstall the hanger ball on the downrod as follows. Route the motor leads through the hanger ball and slide the hanger ball over the downrod (Figure 12). Install the pin through the holes at the top of the downrod and slide the hanger ball up the downrod, aligning the ball so the pin is captured in the groove in the top of the hanger ball. Pull the hanger ball up tight against the pin and securely tighten the setscrew in the hanger ball. A loose setscrew could create fan wobble.
- 23. The blue, black, white, and yellow leads exiting the downrod are 80-inches long. Before installing the fan, measure up approximately 6 to 9-inches above the ball/downrod assembly. Cut off excess leads and strip back insulation 1/2-inch from end of leads.

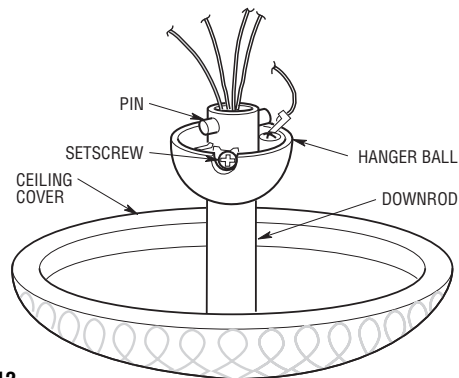


Figure 12

WARNING

It is critical that the pin in the hanger ball is properly installed and the setscrew securely tightened. Failure to verify that the pin and setscrew are properly installed could result in the fan falling.

- 24. Install four 40-watt candelabra base light bulbs (supplied) in the upright sockets (Figure 13).

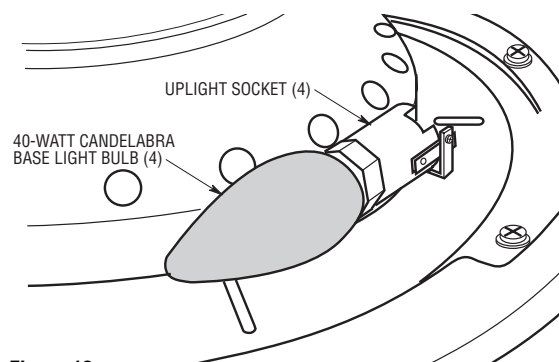


Figure 13

- 25. You have now completed the initial assembly of your new ceiling fan. You can now proceed with hanging and wiring your fan.

How to Hang Your Ceiling Fan

⚠ WARNING

The fan must be hung with at least 7' of clearance from floor to blades (Figure 14). Do NOT hang this fan on an 8' ceiling when using the 10" downrod.

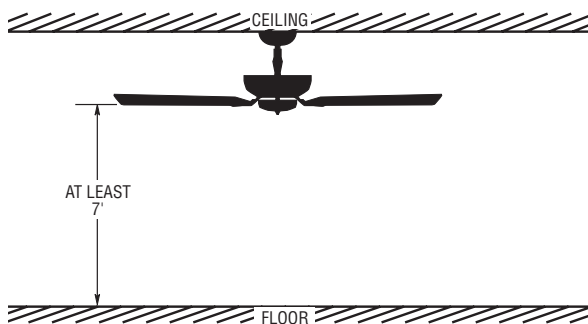


Figure 14

⚠ WARNING

The outlet box and joist must be securely mounted and capable of supporting at least 50 lbs. Use only a U.L. outlet box listed as "Acceptable for Fan Support of 50 lbs. or Less".

1. Securely attach the hanger bracket to the outlet box using the two screws supplied with the outlet box (Figure 15).

⚠ WARNING

To reduce the risk of fire, electric shock, or personal injury, mount fan to outlet box marked "Acceptable for Fan Support of 50 lbs. or Less", and use screws supplied with outlet box. Most outlet boxes commonly used for support of light fixtures are not acceptable for fan support and may need to be replaced. Consult a qualified electrician if in doubt.

⚠ WARNING

Hanger bracket must seat firmly against outlet box. If the outlet box is recessed, remove wall board until bracket contacts box. If bracket and/or outlet box are not securely attached, the fan could wobble or fall.

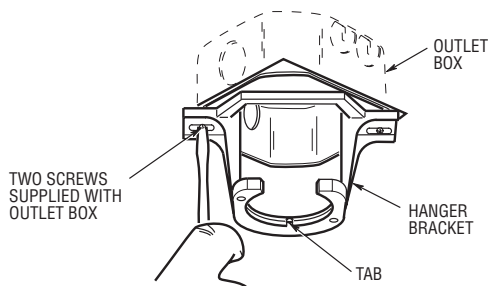


Figure 15

2. Carefully lift the fan and seat the hanger ball/downrod assembly on the hanger bracket that was just attached to the outlet box (Figure 16). Be sure the groove in the ball is lined up with tab on the hanger bracket (Figure 15).

⚠ WARNING

Failure to seat tab in groove could cause damage to electrical wires and possible shock or fire hazard.

NOTE: CEILING COVER, SUPPLY WIRES AND FAN WIRES OMITTED FOR CLARITY.

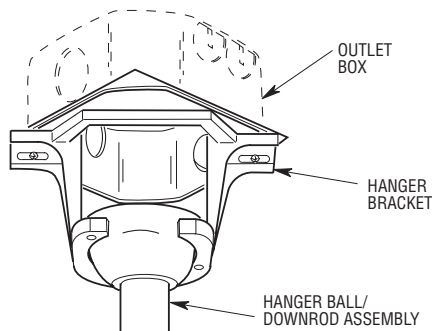


Figure 16

⚠ WARNING

To avoid possible fire or shock, do not pinch wires between the hanger ball/downrod assembly and the hanger bracket.

How to Wire Your Ceiling Fan

If you feel that you do not have enough electrical wiring knowledge or experience, have your fan installed by a licensed electrician.

NOTE: See next section “How to Wire Your Ceiling Fan - Dual Slide Wall Control” and Figure 22 to complete wiring connections for your fan.

⚠ WARNING

Turning off wall switch is not sufficient. To avoid possible electrical shock, be sure electricity is turned off at the main fuse or circuit breaker box before wiring. All wiring must be in accordance with National and Local codes and the ceiling fan must be properly grounded as a precaution against possible electrical shock.

⚠ WARNING

Check to see that all connections are tight, including ground, and that no bare wire is visible at the wire connectors, except for the ground wire. Do not operate fan until blades are in place. Noise and fan damage could result.

⚠ WARNING

To avoid possible electrical shock, be sure electricity is turned off at the main fuse box before wiring.
NOTE: If you are not sure if the outlet box is grounded, contact a licensed electrician for advice, as it must be grounded for safe operation.

- 1. Connect the green grounding lead from the hanger ball and the green grounding lead from the hanger bracket to the grounding conductor of supply (this may be a bare wire or wire with green colored insulation). Securely connect wires with wire connectors supplied.

- 3. Screw the two threaded studs (supplied) into the tapped holes in the hanger bracket.
- 4. Lift the ceiling cover up to the threaded studs and turn until studs protrude through the holes in the ceiling cover (Figure 18).
- 5. Secure the ceiling cover in place by sliding lockwashers over the threaded studs and installing the two knurled knobs (supplied). (Figure 18). Tighten the knurled knobs securely until the ceiling cover fits snugly against the ceiling and the hole in the ceiling cover is clear of the downrod. Your fan is now wired to be turned on and off from the fan switch.

NOTE: CEILING COVER OMITTED FOR CLARITY.

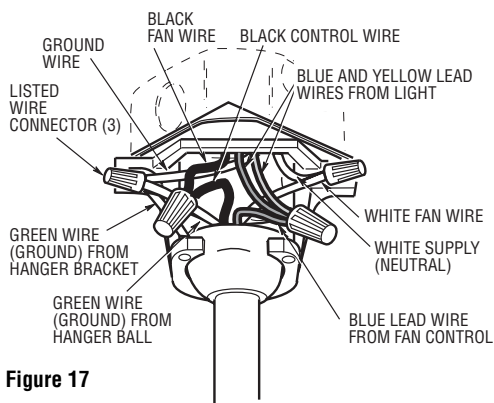


Figure 17

NOTE: If you are using an Emerson Light Fixture with your fan, see Light Fixture Owner’s Manual for wiring.

- 2. Securely connect the fan motor white wire to the supply white (neutral) wire using wire connector supplied (Figure 17). Securely connect the fan motor black wire to the control black wire using wire connector supplied (Figure 17). Securely connect light lead blue and light lead yellow wires to blue of fan control. After connections have been made, turn leads upward and carefully push leads into the outlet box, with the white and green leads on one side of the outlet box and the black and blue leads on the other side of the outlet box.

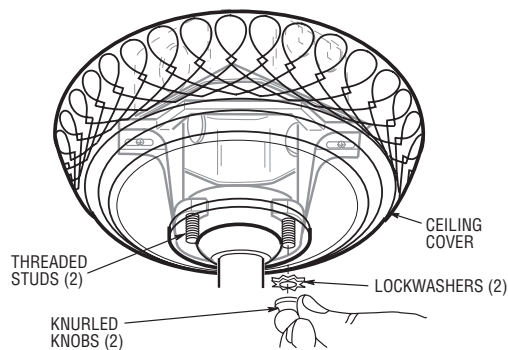


Figure 18

⚠ WARNING

To avoid possible fire or shock, make sure that the electrical wires are completely inside the outlet box and not pinched between the ceiling cover and the ceiling.

How to Wire Your Ceiling Fan - Dual Slide Wall Control

NOTE: Installation of this control requires that a three-conductor cable with ground wire be run between the control wall box and the ceiling fan outlet.

⚠ WARNING

Turning off wall switch is not sufficient. To avoid possible electrical shock, be sure electricity is turned off at the main fuse or circuit breaker box before wiring. All wiring must be in accordance with National and Local codes and the ceiling fan must be properly grounded as a precaution against possible electrical shock.

⚠ WARNING

To avoid possible fire or shock, follow all wiring instructions carefully. Any Electrical work not described in these instructions should be done or approved by a licensed electrician.

⚠ WARNING

To avoid possible electrical shock, be sure electricity is turned off at the main fuse or circuit breaker panel. **NOTE:** If you are not sure if the outlet box is grounded, contact a licensed electrician for advise, as it must be grounded for safe operation.

- 1. Remove the wall plate and screws from the existing wall switch. Pull switch out from wall outlet box.
- 2. Disconnect wire from existing fan wall switch (Figure 19).

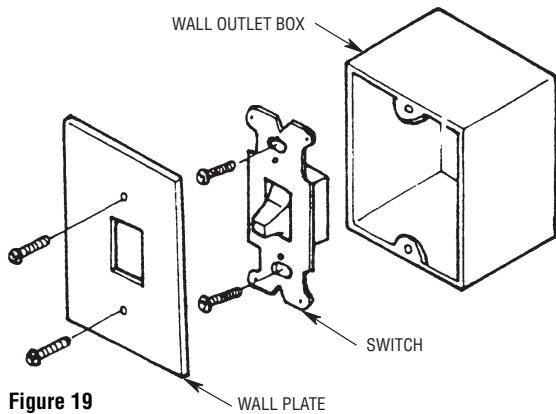


Figure 19

- 3. Set all knobs on the fan/light control in the off (down) position (Figure 20).
- 4. Make the following wire connections (Figure 20) and secure with wire connectors supplied:
 - Black wire from fan to black wire from fan/light control.
 - White wire from fan to white wire from the 120V AC supply source.

- Blue and yellow wires from fan to blue wire from fan/light control.
- Black/white wire from fan/light control to black wire from the 120V AC supply source.

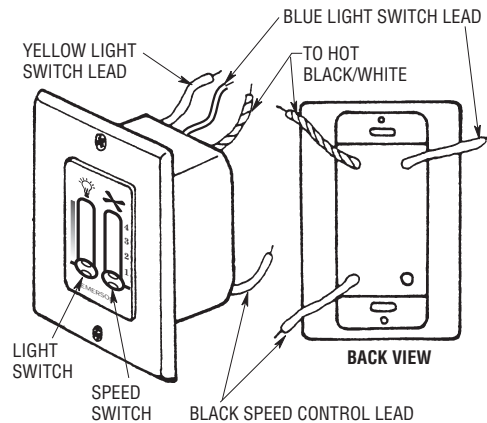


Figure 20

⚠ WARNING

Check to see that all connections are tight, including ground, and that no bare wire is visible at the wire connectors, except for the ground wire. Do not operate fan until blades are in place. Noise and fan damage could result.

- 5. Attach the fan/light control to the outlet (wall) box using two 6-32 x 3/4" screws supplied (Figure 21). Install the wall plate using two 6-32 x 1/4" screws supplied.
- 6. Installation of the ceiling fan is now complete. Restore power at the main fuse box or circuit breaker panel.

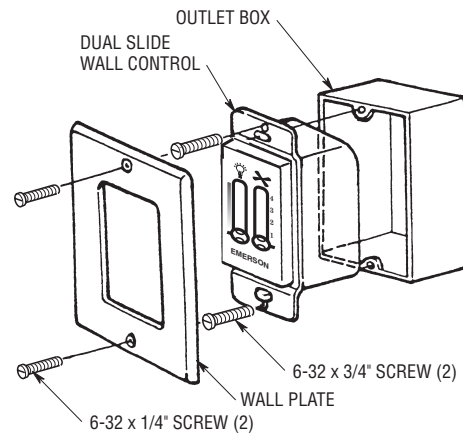


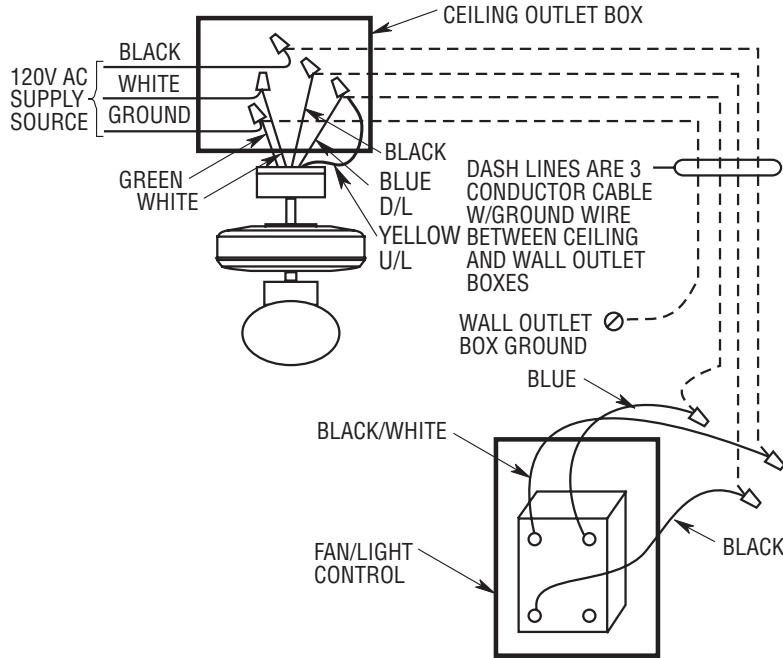
Figure 21

NOTE: Refer to Schematic “A” or “B”, depending upon the location of your 120V AC supply source (Figure 22).

NOTE: This wiring configuration will control accent/light and accessory downlight together. For other possible wiring/switch combinations to control accent light and downlight, consult a licensed electrician or see other Emerson accessory control.

Schematic “A”

CONNECTIONS REQUIRED WHEN SUPPLY VOLTAGE IS FED INTO CEILING OUTLET BOX.



Schematic “B”

CONNECTIONS REQUIRED WHEN SUPPLY VOLTAGE IS FED INTO WALL OUTLET BOX.

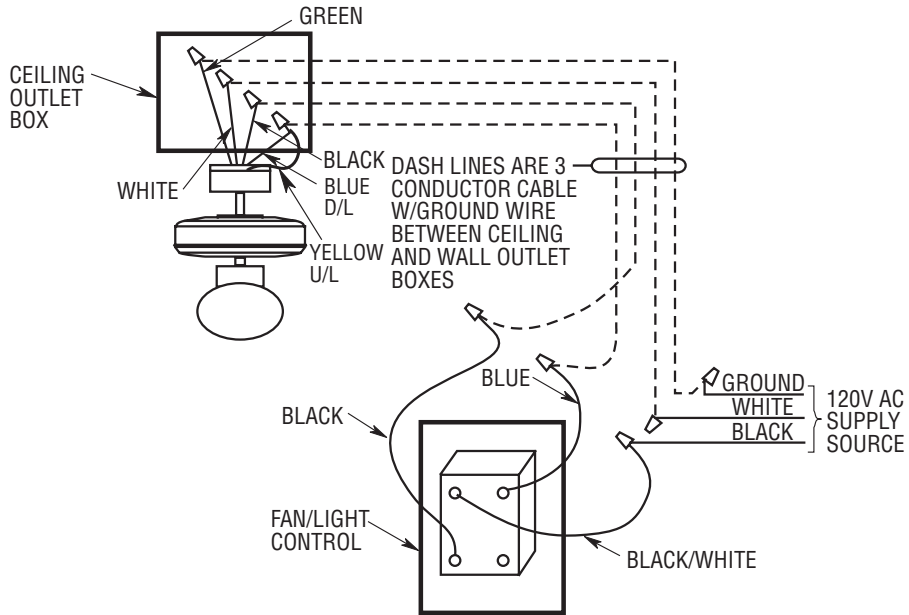


Figure 22

Operating Your Ceiling Fan with the Wall Control

IMPORTANT

Fan installation must be completed, including the installation of the fan blades, before testing of the remote control.

Your Dual Slide Fan/Light Wall Control (Figure 23) has full control of your fan and lights.

- 1. To set the desired fan speed, push the fan knob up to operate your fan on low to high speed (1 - 4 settings) (See Figure 23).
- 2. To turn your fan off, position the knob below the number 1 setting.
- 3. To set the level of light brightness, push the light knob up to operate your light on low to high settings (See Figure 23).
- 4. To turn the lights off, position the knob below the number bottom setting.

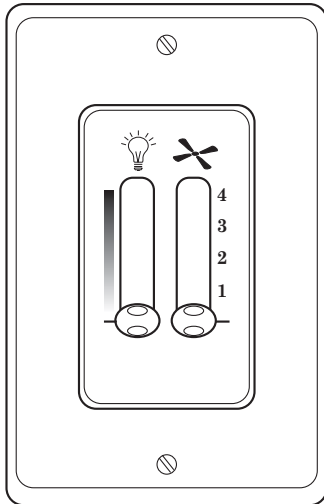


Figure 23

- 5. All fans are shipped from the factory with the reversing switch positioned to circulate air downward. If airflow is desired in opposite direction, turn your fan OFF and wait for the blades to stop turning, then slide the reversing switch to the opposite position, and turn fan on again (Figure 24).
- 6. The fan blades will turn in the opposite direction and reverse the airflow.

Reverse Switch Information

Season	Rotation Direction	Switch Position
Summer	Counter-Clockwise	Right
Winter	Clockwise	Left

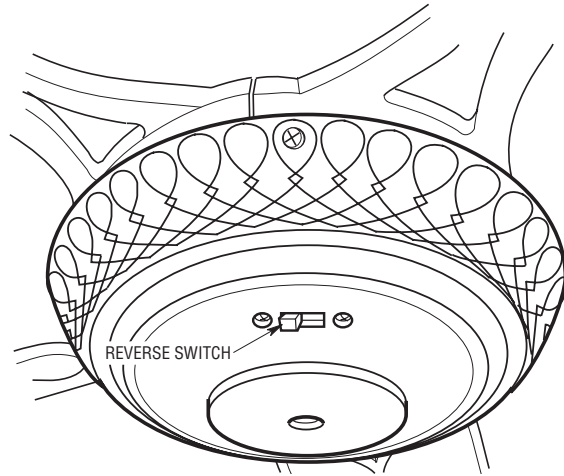


Figure 24

Maintenance

IMPORTANT CARE INSTRUCTIONS for your Ceiling Fan

Periodic cleaning of your new ceiling fan is the only maintenance that is needed.

When cleaning, use only a soft brush or lint free cloth to avoid scratching the finish.

Abrasive cleaning agents are not required and should be avoided to prevent damage to finish.

WARNING

Do not use water when cleaning your ceiling fan. It could damage the motor or the blades and create the possibility of an electrical shock.

Accessories

- 1. Ceiling Fan/Light Controls (see store or catalog).
- 2. Ceiling Fan Light Kits (see store or catalog).
- 3. Downrod Extension Kits (see store or catalog).

WARNING

The use of any other control not specifically approved for this fan could result in fire, shock and personal injury.

WARNING

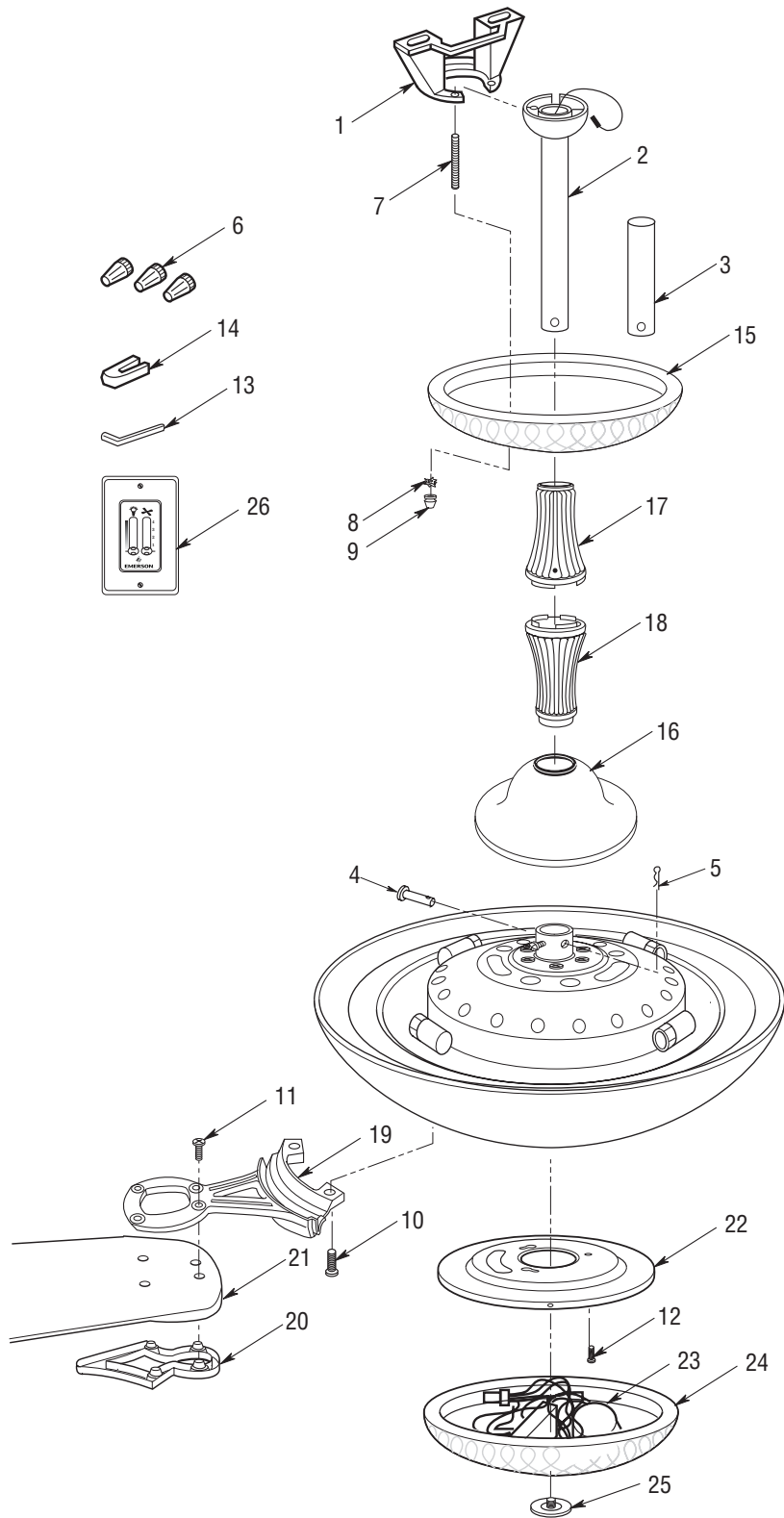
This product is designed to use only those parts supplied with this product and/or any accessories designated specifically for use with this product by Emerson Electric Co. Substitution of parts or accessories not designated for use with this product by Emerson Electric Co. could result in personal injury or property damage.

 **WARNING:** For your own safety, turn off power at fuse box or circuit breaker before trouble shooting your fan.

Trouble Shooting

TROUBLE	PROBABLE CAUSE	SUGGESTED REMEDY
1. Fan will not start.	1. Fuse or circuit breaker blown. 2. Loose power line connections to the fan. 3. Fan/Light Wall Control is OFF.	1. Check main and branch circuit fuses or circuit breakers. WARNING: Make sure main power is turned off. 2. Check line wire connections to fan 3. Turn ON Fan/Light Wall Control.
2. Fan sounds noisy.	1. Blades not attached to fan. 2. Screws holding blades to flanges are loose.	1. Attach blades to fan before operating. 2. Tighten screws securely.
3. Fan wobbles excessively.	1. Setscrew in motor coupling is loose. 2. Setscrew in hanger ball/downrod assembly is loose. 3. Hanger bracket and/or ceiling outlet box is not securely fastened. 4. Fan blades out of balance.	1. Raise motor cover and tighten setscrew securely. 2. Tighten the setscrew in the hanger ball/downrod assembly. 3. Tighten the hanger bracket screws to the outlet box, and/or secure outlet box. 4. Interchanging an adjacent (side-by-side) blade pair can redistribute the weight and result in smoother operation. Or use supplied balancing kit to balance blades.

Repair Parts



Repair Parts Listing

Key No.	Description	Model No.
		CF830GES00
*	Hanger Pack, Consisting of:	761655-87
1	Hanger Bracket (1)	—
2	Hanger Ball (1)	—
3	Downrod - 10" (1)	—
*	Parts Bag Containing:	763973
4	Pin, Clevis (1)	—
5	Clip, Hairpin (1)	—
6	Connector Wire Nut, 12 GA (5)	—
7	Threaded Stud, #8-32 x 1-1/4" (2)	—
8	Lockwasher, External Tooth #8 (2)	—
9	Knurled Knob, #8-32 (2)	—
10	Screw, Oval Head CR 1/4-20 x 12mm (11)	—
11	Screw, Oval Head CR #10-32 x 22mm (21)	—
12	Screw, Pan Head CR #8-32 x 10mm (5)	—
13	Wrench, Hex 2mm (1)	—
14	Balancing Kit (1)	—
15	Cover, Ceiling (1)	763953-GES
16	Cover, Motor Coupling (1)	763955-GES
17	Decorative Upper Scroll (1)	763956-GES
18	Decorative Lower Scroll (1)	763957-GES
19	Flange Assembly (5 per set)	763963-GES
20	Flange Medallion Assembly (5 per set)	763965-GES
21	Blade Assembly (5 per set)	763967
22	Adapter, Switch Housing (1)	763962
23	Harness, Wiring (Reverse Switch & Aux. Capacitor) (1)	763969
24	Housing, Switch (1)	763970-GES
25	Nut, Finial (1)	763972-GES
26	Transmitter, Dual Slide Wall Control (1)	761974-1
27	Downrod, Short 4.5" (1)	761631-40
—	Owner's Manual	BP7405

Before discarding packaging material, be certain all parts have been removed.

HOW TO ORDER REPAIR PARTS

WHEN ORDERING REPAIR PARTS, ALWAYS GIVE THE FOLLOWING INFORMATION:

- PART NUMBER
- PART DESCRIPTION
- NAME OF ITEM
- MODEL NUMBER

The model number of your Fan will be found on a label attached to the top housing.

For repair parts, phone 1-800-654-3545.

LIMITED WARRANTY

What The Warranty Covers:

This warranty covers the motor and the other components and accessories of your Emerson Electric Co. ceiling fan against all defects in workmanship and materials. You must be the original purchaser or user of the product to be covered.

What The Period Of Coverage Is:

As it applies to the motor, this warranty will last for a lifetime from the date you purchased your ceiling fan. All other components and accessories are covered by this warranty for one year from the date you purchased your ceiling fan. ANY IMPLIED WARRANTY OF MERCHANTABILITY OR FITNESS FOR A PARTICULAR PURPOSE, MADE WITH RESPECT TO COMPONENTS AND ACCESSORIES IS ALSO LIMITED TO ONE YEAR.

What Will Emerson Electric Co. Do To Correct Problems:

Emerson Electric Co. will replace a defective Emerson Air Comfort Ceiling Fan motor, blade, component or other accessory at no charge to you. If repair of the motor or blades is not practical or possible within a reasonable time and no replacement can be provided, Emerson Electric Co. will refund the actual purchase price of your fan. **WE WILL SHIP THE REPAIRED PRODUCT OR REPLACEMENT TO YOU AT NO CHARGE, BUT YOU ARE RESPONSIBLE FOR ALL COSTS OF REMOVAL, REINSTALLATION AND SHIPPING OF THE PRODUCT TO EMERSON.**

How Can You Get Service:

YOU MUST HAVE PROOF OF YOUR PURCHASE OF THE CEILING FAN TO OBTAIN LIMITED WARRANTY SERVICE. KEEP YOUR RECEIPT OR OTHER PROOF OF PURCHASE. You can return the product to our factory or to your nearest authorized service center.

- To return the product to the factory, obtain a return authorization and service identification tag by writing to Air Comfort Products, Division of Emerson Electric Co., 8100 W. Florissant Ave., St. Louis, MO 63136. Include all model numbers shown on the product with your request.
- To return the product to an authorized service center, call 1-800-654-3545 for the address of the nearest authorized service center.

You will be responsible for all insurance, freight or other transportation charges to our factory or authorized service center. Your Emerson Air Comfort Ceiling Fan should be properly packed to avoid damage in transit since we will not be responsible for any such damage.

What Is Not Covered:

The glass globes and light bulbs of your ceiling fan are not covered by this warranty. This warranty also does not cover any defects, malfunctions or failures caused by:

- Repairs by persons not authorized by Emerson Electric Co.,
- Use of parts or accessories not authorized by Emerson Electric Co.,
- Mishandling, improper installation, modifications or damage to your ceiling fan while in your possession, or
- Unreasonable use, misuse, abuse, including failing to do reasonable and necessary maintenance, and normal wear and tear.

Additionally, this warranty and any implied warranty of merchantability or fitness for a particular purpose are voided when:

- The original purchaser or user ceases to own the product, or
- The fan is moved from its original point of installation.

This warranty is only valid within the 50 states of the United States and the District of Columbia. No other written or oral warranties apply, and no employee, agent, dealer or other person is authorized to give any warranties on behalf of Emerson Electric Co.

REPAIR, REPLACEMENT OR A REFUND ARE THE EXCLUSIVE REMEDIES AVAILABLE UNDER THIS WARRANTY AND EMERSON ELECTRIC CO. IS NOT RESPONSIBLE FOR DAMAGES OF ANY KIND, INCLUDING INCIDENTAL AND CONSEQUENTIAL DAMAGES. Incidental damages include but are not limited to such damages as loss of time and loss of use. Consequential damages include but are not limited to the cost of repairing or replacing other property which was damaged if this product does not work properly.

How State Law Relates To The Warranty:

Some states do not allow the exclusion or limitation of incidental or consequential damages so the above exclusion or limitation may not apply to you. This warranty gives you specific legal rights, and you may also have other rights which vary from state to state.



EMERSON

Air Comfort Products

DIVISION OF EMERSON ELECTRIC CO.
8100 W. Florissant • St. Louis, MO 63136