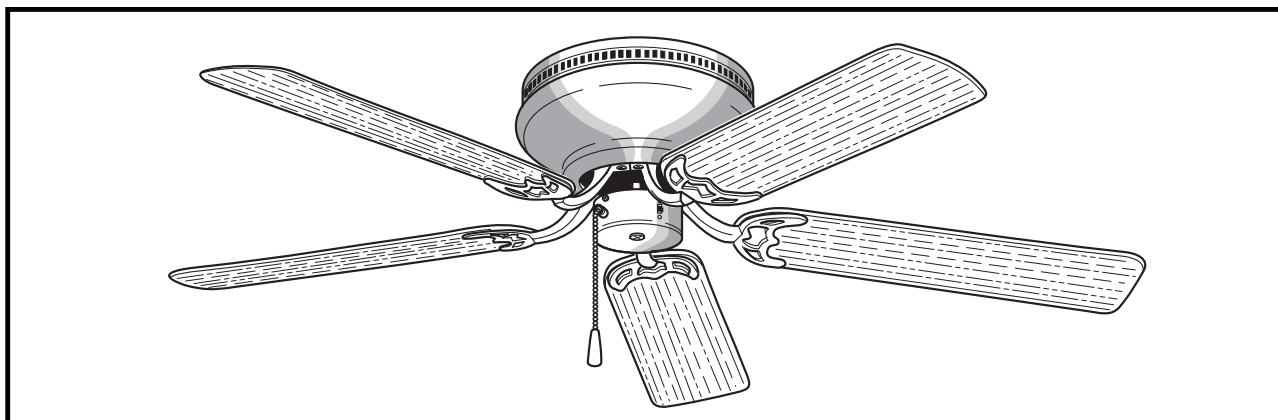


READ AND SAVE THESE INSTRUCTIONS



EMERSON™



***Northwind* CONTEMPORARY SNUGGER™
Ceiling Fan Owner's Manual**

52" Model Numbers

- CF805SAB01 - Antique Brass**
- CF805SAW01 - Summer White**
- CF805SBS01 - Brushed Steel**
- CF805SORB01 - Oil Rubbed Bronze**
- CF805SWW01 - Appliance White**

Net Weight: **13.9** Lbs.

42" Model Numbers

- CF804SBS01 - Brushed Steel**
- CF804SORB01 - Oil Rubbed Bronze**
- CF804SWW01 - Appliance White**

Net Weight: **11.2** Lbs.

Questions, problems, missing parts: Before returning to the store call
Emerson Electric Customer Service 8 a.m. - 6 p.m., Eastern, Monday-Friday

1-800-654-3545

READ AND SAVE THESE INSTRUCTIONS

Safety Instructions

WARNING

TO REDUCE THE RISK OF FIRE, ELECTRICAL SHOCK, OR INJURY TO PERSONS, OBSERVE THE FOLLOWING:

- a. Use this unit only in a manner intended by the manufacturer. If you have questions, contact the manufacturer.
 - b. Before servicing or cleaning unit, switch power off at service panel and lock service panel disconnecting means to prevent power from being switched on accidentally. When the service disconnecting means cannot be locked, securely fasten a warning device, such as a tag, to the service panel.
1. Read your owner's manual carefully and keep it for future reference.
 2. Be careful of the fan and blades when cleaning, painting, or working near the fan. Always turn off the power to the ceiling fan before servicing.
 3. Do not put anything into the fan blades while they are turning.
 4. Do not operate reversing switch until fan blades have come to a complete stop.

Additional Safety Instructions for Installation

1. To avoid possible shock, be sure electricity is turned off at the fuse box before wiring, and do not operate fan without blades.
2. All wiring must be in accordance with the National Electrical Code "ANSI/NFPA 70-2014" and Local Electrical Codes. Use the National Electrical Code if Local Codes do not exist. The ceiling fan must be grounded as a precaution against possible electrical shock. Electrical installation should be made or approved by a licensed electrician.

3. The outlet box and joist must be securely mounted and capable of reliably supporting at least 50 pounds. Use only U.L. outlet boxes listed as "Acceptable for Fan Support of 22.7kg. (50 lbs.) or less", and use the mounting screws provided with the outlet box. Most outlet boxes commonly used for support of light fixtures are not acceptable for fan support and may need to be replaced. Consult a qualified electrician if in doubt.
4. The downrod furnished with the fan provides the minimum recommended floor to fan blade clearance for an 8 foot ceiling.
5. The fan must be mounted with the fan blades at least 7 feet from the floor to prevent accidental contact with the fan blades.
6. Follow the recommended instructions for the proper method of wiring your ceiling fan. If you do not know enough about electrical wiring, have your fan installed by a licensed electrician.

WARNING: To reduce the risk of electrical shock, this fan must be installed with an isolating wall control/switch.

NOTE: This fan is suitable for use with solid-state speed controls.

WARNING: This product is designed to use only those parts supplied with this product and/or any accessories designated specifically for use this product by Emerson Electric Co. Substitution of parts or accessories not designated for use with this product by Emerson could result in personal injury or property damage.

WARNING: To reduce the risk of personal injury, do not bend the blade flange when installing the blade flanges, balancing the blades or cleaning the fan. Do not insert foreign objects in between rotating fan blades.

NOTE: All setscrews must be checked and re-tightened where necessary before installation.

DATE CODE: _____

The date code of this fan may be found on the box, stamped in ink on a white label. You should record this data above and keep it in a safe place for future use.

This Manual Is Designed to Make it as Easy as Possible for You to Assemble, Install, Operate and Maintain Your Ceiling Fan

Tools Needed for Assembly

- One Phillips head screwdriver
- One 1/4" blade screwdriver
- One stepladder
- One wire stripper
- Three wire connectors (supplied)

Materials

Wiring electrical box and box connectors must be of type required by local code. The minimum wire would be a 3-conductor (2-wire with ground) of size shown at right.

Installed Wire Length	Wire Size A.W.G.
Up to 50 ft.	14
50 - 100 ft.	12

⚠ WARNING

Before assembling your ceiling fan, refer to section on proper method of wiring your fan (page 5). If you feel you do not have enough wiring knowledge or experience, have your fan installed by a licensed electrician.

Unpacking Instructions

For your convenience, check-off boxes are provide next to each step. As each step is completed, place a check mark in the box. This will insure that all steps have been completed and will be helpful in finding your place should you be interrupted.

⚠ WARNING

Do not install or use fan if any part is damaged or missing. Call Toll-Free:

1-800-654-3545

⚠ WARNING

This product is designed to use only those parts supplied with this product and/or any accessories designated specifically for use with this product by Emerson Company. Substitution of parts or accessories not designated for use with this product by Emerson Company could result in personal injury or property damage.

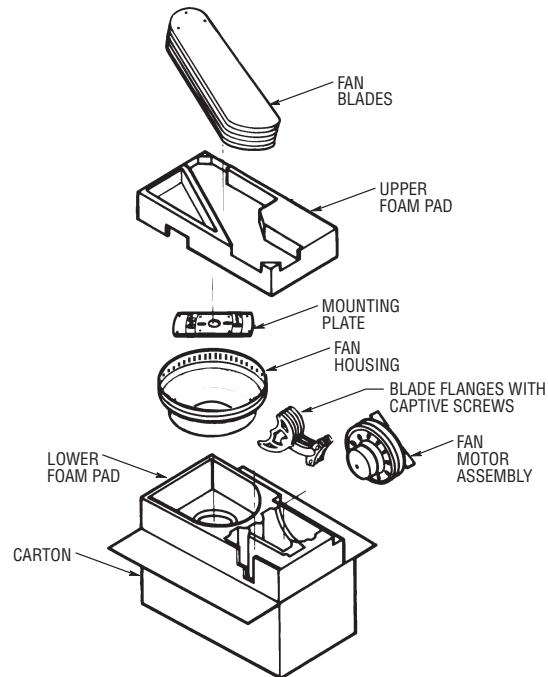
1. Check to see that you have received the following parts:

NOTE: If you are uncertain of part description, refer to exploded view illustration.

- a. Fan housing
- b. Mounting plate
- c. Fan motor assembly
- d. Five fan blades
- e. Five blade flanges with captive screws
- f. One loose parts bag containing:
 1. Sixteen M5 x 6mm Phillips washer head screws
 2. **CF804S Only:** M5 x 13mm Phillips pan head screw with lockwasher
CF805S Only: M6 x 14mm Phillips pan head screw with lockwasher
 3. Five M5 x 10mm Phillips pan head screws with internal tooth washers
 4. Four 1/4" hex locknuts
 5. One wood pendant
 6. One chain coupling
 7. Three wire connectors

NOTE: Place the parts from the loose parts bag in a small container to keep them from being lost. If any parts are missing, contact your local retailer or catalog outlet for replacement before proceeding.

2. Remove the fan assembly from the protective plastic bag. Place the fan assembly into the upper foam pad with the lead wires up.



emersonfans.com

Please contact 1-800-654-3545 for further assistance

U.L. Model No.: 52-CL

Electrical Requirements

Your new ceiling fan will require a grounded electrical supply line of 120 volts AC, 60 Hz, 15 amp circuit.

The outlet box must be securely anchored and capable of withstanding a load of at least 50 pounds.

⚠ WARNING

To reduce the risk of fire, electric shock, or personal injury, mount fan to outlet box marked "Acceptable for Fan Support of 22.7kg. (50 lbs.) or less", and use screws supplied with outlet box. Most outlet boxes commonly used for support of light fixtures are not acceptable for fan support and may need to be replaced. Consult a qualified electrician if in doubt.

If your fan is to replace an existing ceiling light fixture, turn electricity off at the main fuse box at this time and remove the existing light fixture.

⚠ WARNING

Turning off wall switch is not sufficient. To avoid possible electrical shock, be sure electricity is turned off at the main fuse box before wiring. All wiring must be in accordance with National and Local Codes and the ceiling fan must be properly grounded as a precaution against possible electrical shock.

⚠ WARNING

To avoid fire or shock, follow all wiring instructions carefully. Any electrical work not described in these instructions should be done or approved by a licensed electrician.

How to Hang Your Ceiling Fan

⚠ WARNING

The fan must be hung with at least 7' of clearance from floor to blades (Figure 1).

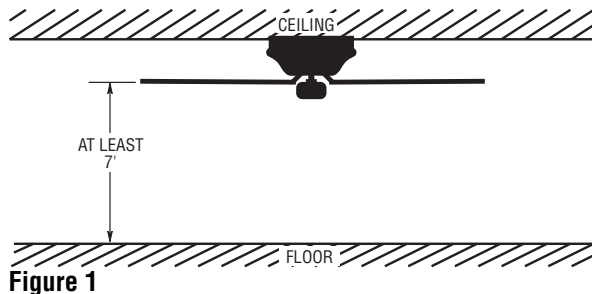


Figure 1

⚠ WARNING

The outlet box and joist must be securely mounted and capable of supporting at least 50 lbs. Use only a U.L. outlet box listed as "Acceptable for Fan Support of 22.7kg. (50 lbs.) or less".

⚠ WARNING

To reduce the risk of fire, electric shock, or personal injury, mount fan to outlet box marked "Acceptable for Fan Support of 22.7kg. (50 lbs.) or less", and use screws supplied with outlet box. Most outlet boxes commonly used for support of light fixtures are not acceptable for fan support and may need to be replaced. Consult a qualified electrician if in doubt.

NOTE: For better fan performance make sure the mounting plate is level. Additional washers (not included) may be needed to insert between the electrical box and mounting plate (Figure 2).

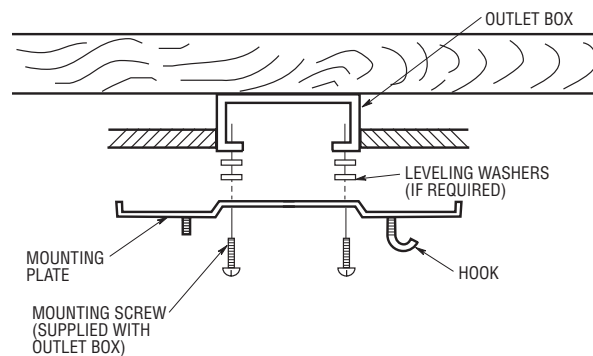


Figure 2

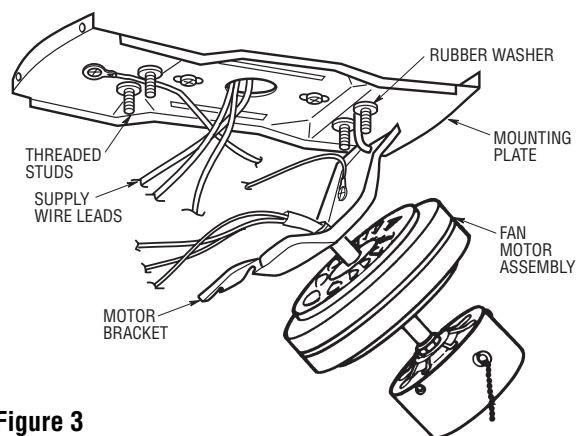


Figure 3

1. Securely attach the mounting plate to the outlet box (Figure 2) using two screws (supplied with outlet box). Pull the black, white and ground wires out of the outlet box through the hole in the mounting plate and lay them to the side as shown in Figure 3.

2. Carefully lift the fan motor assembly and engage the slot in the motor bracket with the hook on the mounting plate so that it is securely suspended (Figure 3). Then connect wiring to your fan according to section "HOW TO WIRE YOUR CEILING FAN".

- 3. Once wiring is completed, lift the motor bracket so that the four threaded studs on the mounting plate protrude through the four slot in the motor bracket. (See Figure 4.)

Securely tighten the four 1/4" hex locknuts (supplied) onto the threaded studs, then try to shake the motor bracket to ensure that the assembly is tight. Proceed to section "HOW TO PUT YOUR CEILING FAN TOGETHER".

⚠ WARNING

To avoid possible fire or shock, do not pinch wires between the motor bracket and mounting plate.

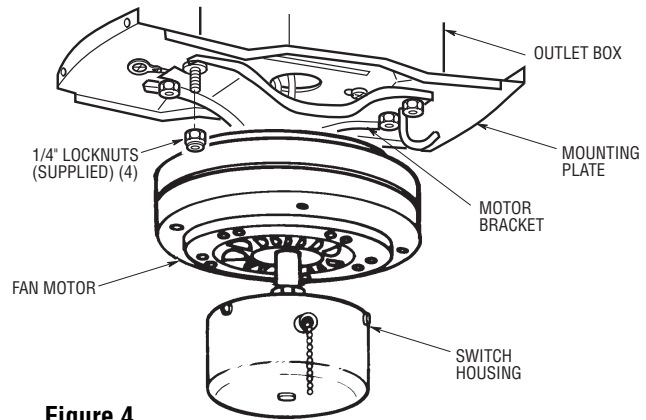


Figure 4

How To Wire Your Ceiling Fan

If you feel that you do not have enough electrical wiring knowledge or experience, have your fan installed by a licensed electrician.

⚠ WARNING

To avoid possible electrical shock, be sure electricity is turned off at the main fuse box before wiring.
NOTE: If you are not sure if the outlet box is grounded, contact a licensed electrician for advice, as it must be grounded for safe operation.

- 1. Connect the green grounding wires from the motor bracket and the mounting plate to the grounding conductor of supply (this may be a bare wire or wire with green colored insulation). Securely connect wires with wire connectors (supplied).

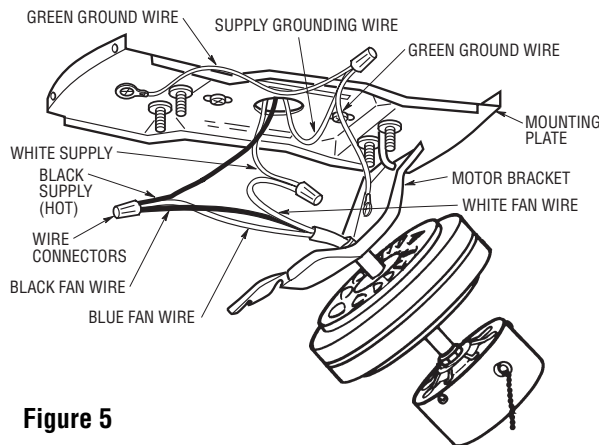


Figure 5

NOTE: If you are using an Emerson Light Fixture with your fan, see the Light Fixture Owner's Manual for wiring.

- 2. Connect the fan motor white wire to the supply white (neutral) wire using a supplied wire connector (Figure 5).
- 3. Connect the fan motor black wire and blue wire to the supply black (hot) wire using a supplied wire connector (Figure 5). Your fan is now wired to be turned on and off from the fan switch. After connections have been made, turn leads upward and carefully push leads into the outlet box, with the white and green leads on one side of the outlet box and the black and blue leads on the other side of the outlet box.

⚠ WARNING

To avoid risk of fire or shock, check to see that all connections are tight, including ground, and that no bare wire is visible at the wire connectors, except for the ground wire. Do not operate fan until blades are in place. Noise and fan damage could result.

- 4. Connect the wood ball with chain to the 3-speed switch pull chain.
- 5. Return to step 3 of section " HOW TO HANG YOUR CEILING FAN".

How To Put Your Ceiling Fan Together

- 1. Align the four holes in the fan housing with the holes in the mounting plate and install four M5 x 10mm Phillips pan head screws with internal tooth washers (supplied) (Figure 6).

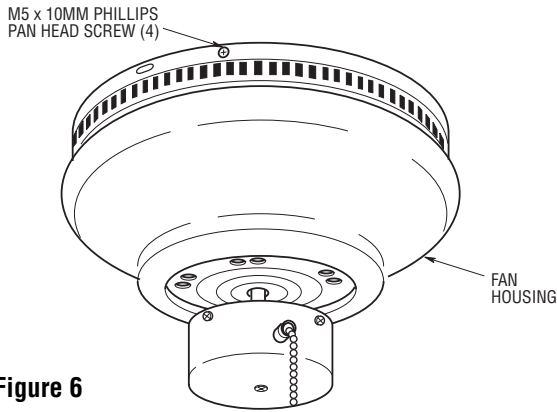


Figure 6

- 2. Mount the blade flanges to the fan blades using three M5 x 6mm Phillips washer head screws per blade (supplied) (Figure 7). Repeat for four remaining blades.

⚠ WARNING

To reduce the risk of personal injury, do not bend the blade flange when installing the blade flanges, balancing the blades or cleaning the fan. Do not insert foreign objects in between rotating fan blades.

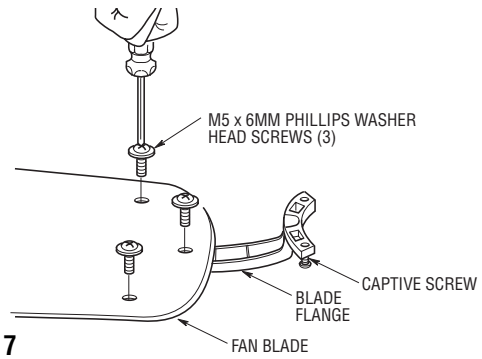


Figure 7

NOTE: Take care not to scratch the fan housing when installing the blade assemblies.

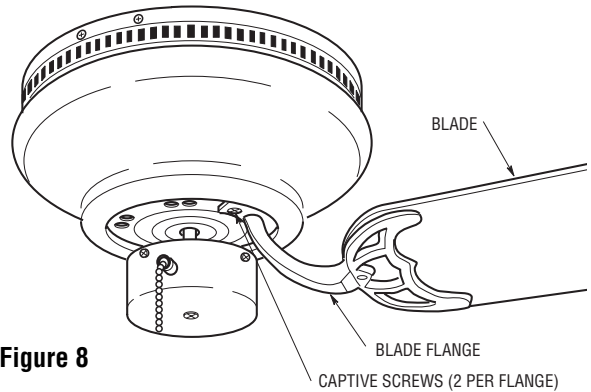


Figure 8

- 3. Attach one blade assembly to the motor using the captive screw provided for each flange (Figure 8). Make sure the screws are tightened securely. Repeat this procedure for the other four blade assemblies.
- 4. You have now completed the assembly of your new ceiling fan.

Using Your Ceiling Fan

⚠ WARNING

To reduce the risk of fire or electrical shock, do not use this fan with any solid-state speed control device.

- 1. Restore electrical power to the electrical box by turning the electricity on at the main fuse box or circuit breaker panel.
- 2. Check the operation of the fan by gently pulling on the pull chain switch.
- 3. All fans are shipped from the factory with the reversing switch positioned to circulate air downward. If airflow is desired in opposite direction, turn your fan off and wait for the blades to stop turning, then slide the reversing switch to opposite position, and turn fan on again. The fan blades will turn in the opposite direction and reverse the airflow.

Your fan model is equipped with a 4-position, 3-speed pull chain switch. The operating sequence is as follows:

THREE SPEED:
 1st Pull – High
 2nd Pull – Medium
 3rd Pull – Low
 4th Pull – OFF

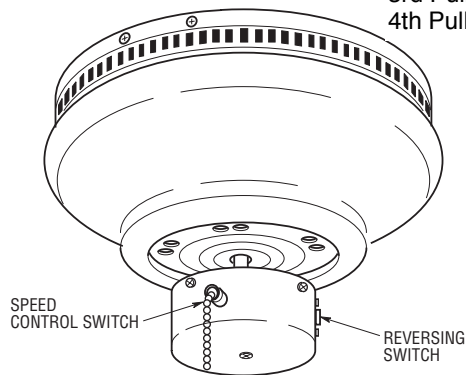


Figure 9

⚠ WARNING: FOR YOUR OWN SAFETY TURN OFF POWER AT FUSE BOX OR CIRCUIT BREAKER BEFORE TROUBLE SHOOTING YOUR FAN.

Trouble Shooting

TROUBLE	PROBABLE CAUSE	SUGGESTED REMEDY
1. Fan will not start.	<ol style="list-style-type: none"> 1. Reversing switch in neutral position. 2. Fuse or circuit breaker blown. 3. Loose power line connections to the fan, or loose switch wire connections in switch housing. 	<ol style="list-style-type: none"> 1. Make sure reversing switch position is all the way to one side. 2. Check main and branch circuit fuses or circuit breakers. 3. Check line wire connections to fan and switch wire connections in the switch housing.
2. Fan sounds noisy.	<ol style="list-style-type: none"> 1. Blades not attached to fan. 2. Loose screws in motor housing. 3. Screws securing fan blade flanges to motor are loose. 4. Wire connectors inside switch housing rattling. 5. Screws holding flanges to blades are loose. 	<ol style="list-style-type: none"> 1. Attach blades to fan before operating. 2. Check to make sure all screws in motor housing are snug (not over-tight). 3. Check to make sure the screws which attach the fan blade flanges to the motor are tight. 4. Check to make sure wire connectors in switch housing are not rattling against each other or against the interior wall of the switch housing. 5. Tighten securely.
3. Fan wobbles or shakes.	<ol style="list-style-type: none"> 1. Screws securing fan blade flanges to motor are loose. 2. Fan blade flanges not seated properly. 3. Mounting plate and/or ceiling outlet box is not securely fastened. 4. Fan blades out of balance. 	<ol style="list-style-type: none"> 1. Check to be sure screws which attach the fan blade flanges to the motor are tight. 2. Check to be sure the fan blade flanges seat firmly and uniformly to the surface of the motor. If flanges are seated incorrectly, loosen the flange screws and retighten according to the procedure in the section on "How to Put Your Ceiling Fan Together". 3. Tighten the mounting plate screws to the outlet box, and/or secure outlet box. 4. Interchanging an adjacent (side-by-side) blade pair can redistribute the weight and result in smoother operation.

Maintenance

IMPORTANT CARE INSTRUCTIONS For Your Ceiling Fan

Periodic cleaning of your new ceiling fan is the only maintenance that is needed.

When cleaning, use only a soft brush or lint free cloth to avoid scratching the finish.

Abrasive cleaning agents are not required and should be avoided to prevent damage to finish.

⚠ WARNING

Do not use water when cleaning your ceiling fan. It could damage the motor or the blades and create the possibility of an electrical shock.

⚠ WARNING

To reduce the risk of fire or electrical shock, do not use this fan with any solid-state speed control device.

Accessories

1. Ceiling Fan Light Kits (see store or catalog).
2. Emerson SW-95 Speed Control (see store or catalog).

⚠ WARNING

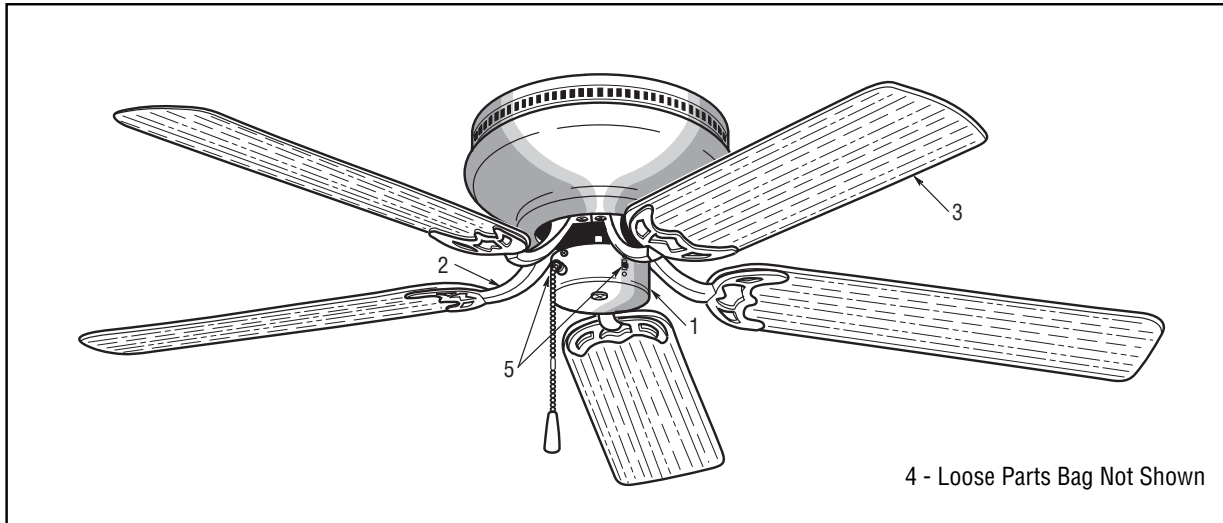
The use of any other control not specifically approved for this fan could result in fire, shock and personal injury.

⚠ WARNING

This product is designed to use only those parts supplied with this product and/or any accessories designated specifically for use with this product by Emerson Company. Substitution of parts or accessories not designated for use with this product by Emerson Company could result in personal injury or property damage.

emersonfans.com
Please contact 1-800-654-3545 for further assistance
U.L. Model No.: 52-CL

Repair Parts



Before discarding packaging material, be certain all parts have been removed.

HOW TO ORDER REPAIR PARTS

WHEN ORDERING REPAIR PARTS, ALWAYS GIVE THE FOLLOWING INFORMATION:

- PART NUMBER
- PART DESCRIPTION
- NAME OF ITEM
- MODEL NUMBER

For repair parts, phone 1-800-654-3545.

Repair Parts List

Key No.	Description	52" Model Numbers				
		CF805SAB01	CF805SAW01	CF805SBS01	CF805SORB01	CF805SWW01
1	Switch Housing Assembly	762577	762577-4	762577-3	762577-9	762577-2
2	Flange Assembly (set of 5)	762573-2	762573-4	762573-3	762573-6	762573
3	Blade Assembly (set of 5)	762566-1	762566-4	762566-2	762566-5	762566
4	Loose Parts Bag Containing: Blade Hardware Hanging Hardware Pull Chain Ball	762567-1	762567	762567-3	762567-1	762567-2
5	Harness, Wiring	762569-2	762569-1	762569-3	762569-2	762569-4
-	Owner's Manual	BP7192-8	BP7192-8	BP7192-8	BP7192-8	BP7192-8

Repair Parts List

Key No.	Description	42" Model Numbers		
		CF804SBS01	CF804SORB01	CF804SWW01
1	Switch Housing Assembly	762575-5	762575-4	762575
2	Flange Assembly (set of 5)	762571-5	762571-4	762571
3	Blade Assembly (set of 5)	762564-5	762564-4	762564
4	Loose Parts Bag Containing: Blade Hardware Hanging Hardware Pull Chain Ball	762567-4	762567-1	762567-2
5	Harness, Wiring	762568-3	762568-2	762568
-	Owner's Manual	BP7192-8	BP7192-8	BP7192-8

Notes

Emerson Air Comfort Ceiling Fan Limited Warranty

What The Limited Warranty Covers:

This limited warranty is offered by Air Comfort Products division of Emerson Electric Co. ("Emerson" "we" or "us") located at the address stated below to the original retail purchaser ("you" or "your") of an Emerson Air Comfort Ceiling Fan product ("**Emerson Ceiling Fan**") and covers the motor and the other components and accessories of the Emerson Ceiling Fan against all defects in workmanship and materials.

What The Period Of Coverage Is:

This limited warranty will cover the Emerson Ceiling Fan motor for the expected lifetime of your Emerson Ceiling Fan (when operated in accordance with your Owner's Manual or other instructions provided by Emerson to you with the Emerson Ceiling Fan). All other components and accessories of the Emerson Ceiling Fan are covered by this limited warranty for a period of one (1) year from its date of original retail purchase. ANY IMPLIED WARRANTY, INCLUDING WITHOUT LIMITATION, ANY IMPLIED WARRANTY OF MERCHANTABILITY OR FITNESS FOR A PARTICULAR PURPOSE THAT IS AVAILABLE TO YOU UNDER THE LAWS OF YOUR STATE OR PROVINCE SHALL COVER THE MOTOR FOR THE EXPECTED LIFETIME OF THE MOTOR (SUBJECT TO PROPER USE), AND FOR ONE YEAR WITH RESPECT TO COMPONENTS AND ACCESSORIES.

No Other Express or Implied Warranty Applies:

THE LIMITED WARRANTIES PROVIDED ABOVE ARE THE SOLE AND EXCLUSIVE WARRANTIES PROVIDED BY EMERSON TO YOU FOR YOUR EMERSON CEILING FAN, AND ARE IN LIEU OF ALL OTHER WARRANTIES, WRITTEN OR ORAL, EXPRESS OR IMPLIED, WHETHER ARISING BY OPERATION OF LAW OR OTHERWISE, WHETHER OR NOT THE PURPOSE HAS BEEN DISCLOSED AND WHETHER OR NOT THE EMERSON CEILING FAN HAS BEEN SPECIFICALLY DESIGNED OR MANUFACTURED FOR YOUR USE OR PURPOSE. EMERSON HEREBY DISCLAIMS ANY AND ALL IMPLIED WARRANTIES, INCLUDING WITHOUT LIMITATION, IMPLIED WARRANTIES OF MERCHANTABILITY OR FITNESS FOR A PARTICULAR PURPOSE FOR COMPONENTS AND ACCESSORIES AS OF THE EXPIRATION OF THE ONE YEAR WARRANTY PERIOD FOR SUCH COMPONENTS AND ACCESSORIES. IMPLIED WARRANTIES OF MERCHANTABILITY OR FITNESS FOR A PARTICULAR PURPOSE FOR THE MOTOR PORTION OF THE EMERSON CEILING FAN ARE LIKEWISE DISCLAIMED BY EMERSON AT SUCH TIME THAT THE EXPECTED LIFETIME OF THE EMERSON CEILING FAN UNDER NORMAL USAGE HAS BEEN REACHED. EXCLUSIONS OR LIMITATIONS OF IMPLIED WARRANTIES MAY VARY FROM STATE TO STATE AND PROVINCE TO PROVINCE SO THE ABOVE LIMITATIONS MAY NOT APPLY TO YOU.

What We Will Do To Correct Problems:

If during the one (1) year warranty period the motor or any component or accessory of your Emerson Ceiling Fan is defective in materials or workmanship, or if during the expected lifetime of the Emerson Ceiling Fan (when used in accordance with the User Manual or other instructions) the motor is defective in materials or workmanship, you must contact Emerson during the applicable warranty period. If the defect is covered by warranty, Emerson will repair or replace the defective motor, component or other accessory at no charge to you. If repair of the motor, component or accessory is not practical or possible within a reasonable time and no replacement Emerson Ceiling Fan can be provided, Emerson will refund to you the actual purchase price of your Emerson Ceiling Fan. We will ship the repaired or the replacement Emerson Ceiling Fan to you at no charge, but you are responsible for all costs of removal and reinstallation of your Emerson Ceiling Fan.

How You Can Receive Warranty Service:

You must be the original retail purchaser and have proof of your purchase of the Emerson Ceiling Fan to obtain your remedy under this limited warranty. You can return your Emerson Ceiling Fan to your place of purchase, or you can call Emerson Customer Service at 1-800-237-6511 to obtain a return authorization and service identification tag. In order for us to confirm that your Emerson Ceiling Fan is still under warranty, please retain your receipt or other proof of purchase and have that information readily available when returning your Emerson Ceiling Fan to your place of purchase, or upon calling Emerson Customer Service. If you call Emerson Customer Service, prior to your call please be prepared to provide all model numbers shown on your Emerson Ceiling Fan. Once we have processed your return authorization request, we will provide you with a postage paid return label which should be affixed to the Emerson Ceiling Fan package you ship to the address listed at the end of this limited warranty. The return label will be sent to the mailing address you provide to us by phone.

What Is Not Covered:

This limited warranty does not extend to and expressly excludes:

- The glass globes and light bulbs of your Emerson Ceiling Fan,
- Loss or damage to the motor or any component or accessory caused by normal wear and tear, rather than due to defects in materials or workmanship,
- Loss or damage resulting from conditions beyond our reasonable control, including without limitation, repairs not made at our factory or authorized service center, use of parts or accessories not provided to you as part of this warranty by our factory or authorized service center, mishandling, unreasonable use, misuse, abuse, modifications or other damage caused by you or a third party to your Emerson Ceiling Fan while not in our possession,
- Loss or damage resulting from improper installation, or other failure to comply with instructions in your Owner's Manual.

This limited warranty is deemed null and void upon the occurrence of either of the following events:

- You cease to own the Emerson Ceiling Fan product, or
- The Emerson Ceiling Fan is moved from its original point of installation.

This limited warranty is only valid within the 50 United States, the District of Columbia, and Canada. No other written or oral warranties apply, and no employee, agent, dealer or other person is authorized to give any warranties on behalf of Air Comfort Products or Emerson Electric Co.

Limitation of Liability

REPAIR, REPLACEMENT OR A REFUND ARE THE EXCLUSIVE REMEDIES AVAILABLE TO YOU UNDER THIS LIMITED WARRANTY. TO THE EXTENT PERMITTED BY LAW, IN NO EVENT SHALL EMERSON OR ANY EMERSON AUTHORIZED DEALER BE LIABLE FOR ANY INCIDENTAL, SPECIAL, INDIRECT, OR CONSEQUENTIAL DAMAGES, INCLUDING ANY ECONOMIC LOSS, WHETHER RESULTING FROM NONPERFORMANCE, USE, MISUSE OR INABILITY TO USE THE EMERSON CEILING FAN OR FOR THE NEGLIGENCE OF EMERSON OR AN EMERSON AUTHORIZED DEALER. EMERSON SHALL NOT BE LIABLE FOR DAMAGES CAUSED BY DELAY IN PERFORMANCE AND IN NO EVENT, REGARDLESS OF THE FORM OF THE CLAIM OR CAUSE OF ACTION (WHETHER BASED IN CONTRACT, INFRINGEMENT, NEGLIGENCE, STRICT LIABILITY, OTHER TORT OR OTHERWISE), SHALL EMERSON'S OR ANY EMERSON AUTHORIZED AGENT'S LIABILITY TO YOU OR ANY INDIVIDUAL USING THE EMERSON CEILING FAN EXCEED THE PRICE PAID BY THE ORIGINAL OWNER FOR THE EMERSON CEILING FAN. The term "consequential damages" shall include, but not be limited to, loss of anticipated profits, business interruption, loss of use or revenue, cost of capital or loss or damage to property or equipment.

How State and Provincial Law Relates To The Warranty:

Some states and provinces do not allow the exclusion or limitation of incidental or consequential damages so the above exclusion or limitation may not apply to you. This limited warranty gives you specific legal rights, and you may also have other rights which vary from state to state or province to province.

emersonfans.com

Please contact 1-800-654-3545 for further assistance

U.L. Model No.: 52-CL



EMERSON™

Air Comfort Products

DIVISION OF EMERSON ELECTRIC CO.
8100 W. Florissant • St. Louis, MO 63136

Questions, problems, missing parts: Before returning to the store call
Emerson Electric Customer Service
8 a.m. - 6 p.m., Eastern, Monday-Friday

1-800-654-3545

www.emersonfans.com

Retain this manual for future use.