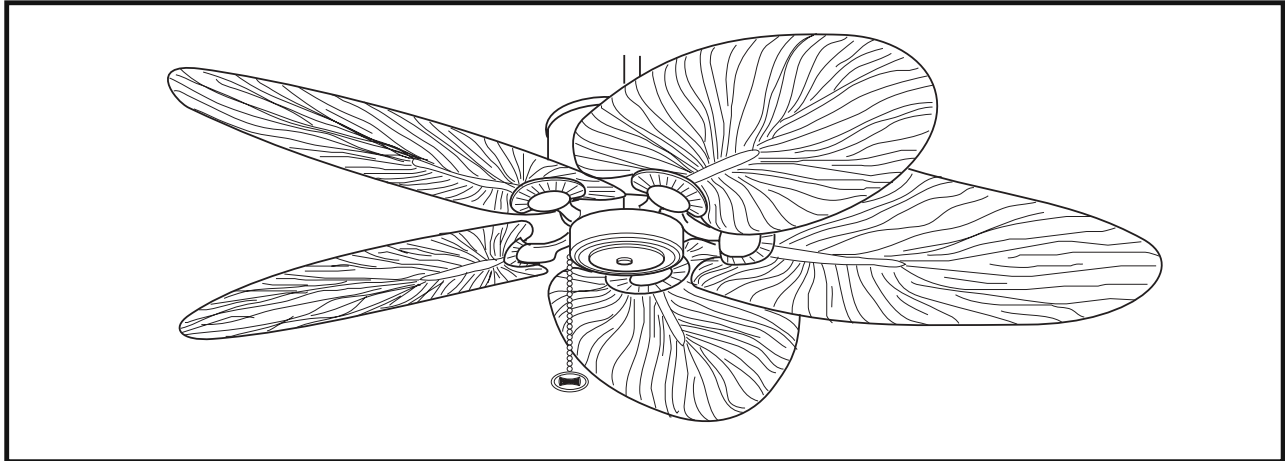


**READ AND SAVE THESE INSTRUCTIONS**



**EMERSON™**



**MAUI BAY™**

**Damp Location  
Ceiling Fan Owner's Manual**

Model Numbers

**CF2000AB02 - Antique Brass**

**CF2000AP02 - Antique Pewter**

**CF2000ORB02 - Oil Rubbed Bronze**

Net Weight: 26.0 Lbs.

Questions, problems, missing parts: Before returning to the store call  
Emerson Electric Customer Service  
8 a.m. - 6 p.m., EST, Monday-Friday



Part No. F40BP73230002  
Revision: 130605

**1-800-654-3545**

**[www.emersonfans.com](http://www.emersonfans.com)**

Form No. BP7323-2  
U.L. Model No.: CF2000

# READ AND SAVE THESE INSTRUCTIONS

## Safety Instructions

### **WARNING**

TO REDUCE THE RISK OF FIRE, ELECTRICAL SHOCK, OR INJURY TO PERSONS, OBSERVE THE FOLLOWING:

- a. Use this unit only in a manner intended by the manufacturer. If you have questions, contact the manufacturer.
  - b. Before servicing or cleaning unit, switch power off at service panel and lock service panel disconnecting means to prevent power from being switched on accidentally. When the service disconnecting means cannot be locked, securely fasten a warning device, such as a tag, to the service panel.
1. Read your owner's manual carefully and keep it for future reference.
  2. Be careful of the fan and blades when cleaning, painting, or working near the fan. Always turn off the power to the ceiling fan before servicing.
  3. Do not put anything into the fan blades while they are turning.
  4. Do not operate reversing switch until fan blades have come to a complete stop.

### Additional Safety Instructions for Installation

1. To avoid possible shock, be sure electricity is turned off at the fuse box before wiring, and do not operate fan without blades.
2. All wiring must be in accordance with the National Electrical Code "ANSI/NFPA 70-2011" and Local Electrical Codes. Use the National Electrical Code if Local Codes do not exist. The ceiling fan must be grounded as a precaution against possible electrical shock. Electrical installation should be made or approved by a licensed electrician.

3. The outlet box and joist must be securely mounted and capable of reliably supporting at least 50 pounds. Use only U.L. outlet boxes listed as "Acceptable for Fan Support of 22.7kg. (50 lbs.) or less", and use the mounting screws provided with the outlet box. Most outlet boxes commonly used for support of light fixtures are not acceptable for fan support and may need to be replaced. Consult a qualified electrician if in doubt.
4. The downrod furnished with the fan provides the minimum recommended floor to fan blade clearance for an 8 foot ceiling.
5. The fan must be mounted with the fan blades at least 7 feet from the floor to prevent accidental contact with the fan blades.
6. Follow the recommended instructions for the proper method of wiring your ceiling fan. If you do not know enough about electrical wiring, have your fan installed by a licensed electrician.

**WARNING:** To reduce the risk of electrical shock, this fan must be installed with an isolating wall control/switch.

**NOTE:** This fan is suitable for use with solid-state speed controls.

**WARNING:** This product is designed to use only those parts supplied with this product and/or any accessories designated specifically for use this product by Emerson Electric Co. Substitution of parts or accessories not designated for use with this product by Emerson could result in personal injury or property damage.

**WARNING:** To reduce the risk of personal injury, do not bend the blade flange when installing the blade flanges, balancing the blades or cleaning the fan. Do not insert foreign objects in between rotating fan blades.

**NOTE:** All setscrews must be checked and re-tightened where necessary before installation.

DATE CODE: \_\_\_\_\_

The date code of this fan may be found on the box, stamped in ink on a white label. You should record this data above and keep it in a safe place for future use.

# Unpacking Instructions

## ⚠ WARNING

Do not install or use fan if any part is damaged or missing. Call Toll-Free:

**1-800-654-3545**

## ⚠ WARNING

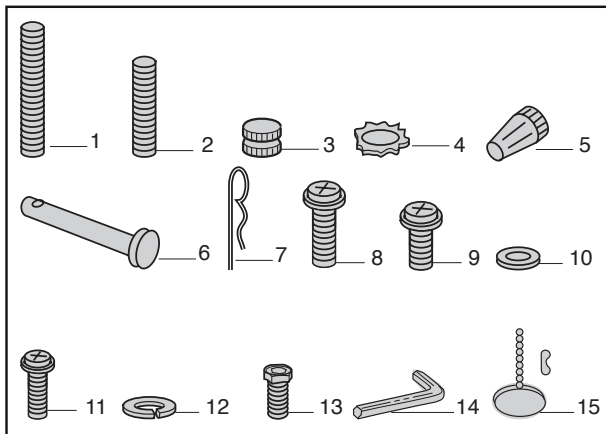
This product is designed to use only those parts supplied with this product and/or any accessories designated specifically for use with this product by Emerson Electric Co. Substitution of parts or accessories not designated for use with this product by Emerson Electric Co. could result in personal injury or property damage.

1. Check to see that you have received the following parts:

**NOTE: If you are uncertain of part description, refer to exploded view illustration.**

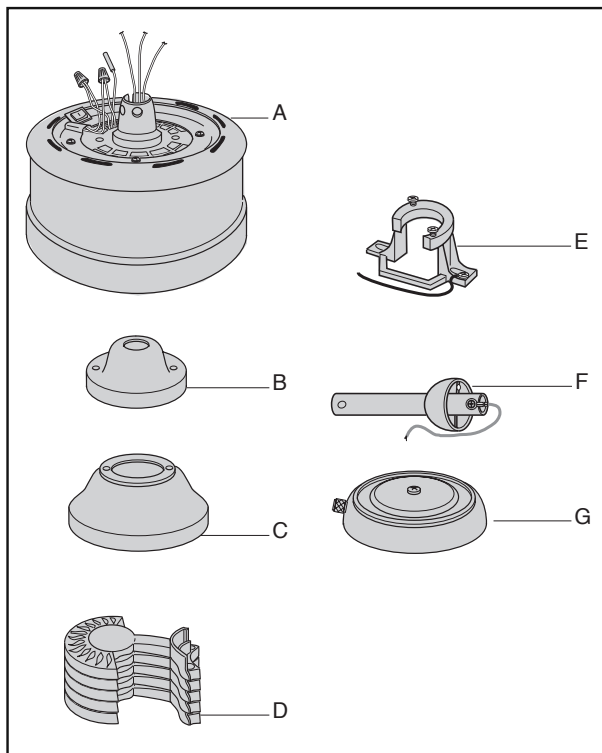
## HARDWARE CONTENTS

Part	Description	Quantity
1	Threaded Studs, #8-32 x 1"	2
2	Threaded Studs, #8-32 x 1-1/4"	2
3	Knurled Knobs, #8-32	2
4	Lockwashers, External Tooth #8	2
5	Wire Connectors	5
6	Clevis Pin	1
7	Hairpin Clip	1
8	#10-32 x 5/8" Oval Head Screws	11
9	#10-32 x 3/8" Pan Head Screws	21
10	Flat Washer	21
11	#8-32 x 3/8" Screws	2
12	Lockwashers	4
13	Setscrew	1
14	Setscrew Wrench	1
15	Pull Chain Pendant & Coupling	1



## PACKAGE CONTENTS

Part	Description	Quantity
A	Fan Motor & Housing Assembly	1
B	Motor Cover	1
C	Ceiling Cover	1
D	Fan Blade Flanges	3
E	Hanger Bracket	1
F	Hanger Ball/Downrod Assembly	1
G	Switch Housing Cover	1



**NOTE: Place the parts from the loose parts bags in a small container to keep them from being lost. If any parts are missing, contact your local retailer or catalog outlet for replacement before proceeding.**

**NOTE: Fan blades are ordered separately and are packaged in separate carton.**

2. Remove the fan assembly from the protective plastic bag. Place the fan assembly into the upper foam pad with the top of the motor facing up.

The upper foam pad serves as a holder for the fan during the first stages of assembly.

emersonfans.com

Please contact 1-800-654-3545 for further assistance

U.L. Model No.: CF2000

# This Manual Is Designed to Make it as Easy as Possible for You to Assemble, Install, Operate and Maintain Your Ceiling Fan

## Tools Needed for Assembly

One Phillips head screwdriver  
One wire stripper  
One stepladder

<u>Installed Wire Length</u>	<u>Wire Size A.W.G.</u>
Up to 50 ft.	14
50-100 ft.	12

## Materials

Wiring outlet box and box connectors must be of type required by the local code. The minimum wire would be a 3-conductor (2-wire with ground) of following size:

### **WARNING**

Before assembling your ceiling fan, refer to section on proper method of wiring your fan (page 8). If you feel you do not have enough wiring knowledge or experience, have your fan installed by a licensed electrician.

## Electrical Requirements

Your new ceiling fan will require a grounded electrical supply line of 120 volts AC, 60 Hz, 15 amp circuit.

The outlet box must be securely anchored and capable of withstanding a load of at least 50 pounds.

### **WARNING**

To reduce the risk of fire, electric shock, or personal injury, mount fan to outlet box marked "Acceptable for Fan Support of 22.7kg. (50 lbs.) or less", and use screws supplied with outlet box. Most outlet boxes commonly used for support of light fixtures are not acceptable for fan support and may need to be replaced. Consult a qualified electrician if in doubt.

If your fan is to replace an existing ceiling light fixture, turn electricity off at the main fuse box at this time and remove the existing light fixture.

### **WARNING**

To avoid fire or shock, follow all wiring instructions carefully.

Any electrical work not described in these instructions should be done or approved by a licensed electrician.

### **WARNING**

Turning off wall switch is not sufficient. To avoid possible electrical shock, be sure electricity is turned off at the main fuse box before wiring. All wiring must be in accordance with National and Local codes and the ceiling fan must be properly grounded as a precaution against possible electrical shock.

# Ceiling Fan Assembly

1. Remove the fan motor and housing assembly from styrofoam packaging and position it so that the top of the motor is facing you.
2. Separate, untwist and unkink the three motor leads. Route the motor leads through the hanger ball/downrod assembly and seat the downrod in the motor coupling (Figure 1).

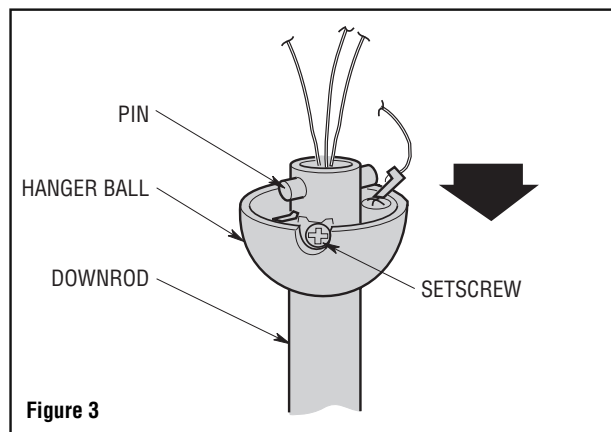
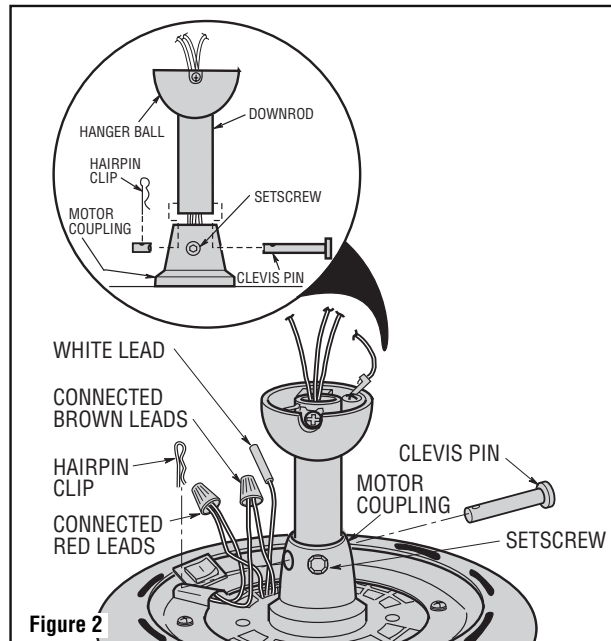
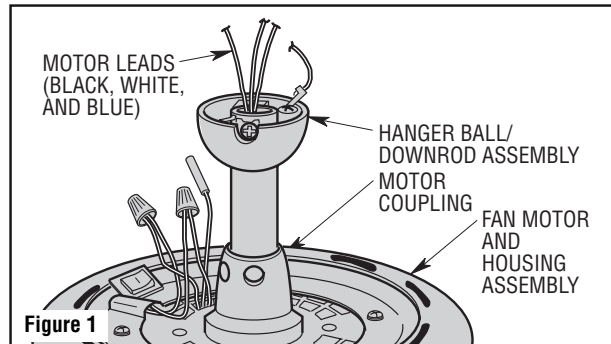
## ⚠ WARNING

It is critical that the clevis pin in the motor coupler is properly installed and the setscrew securely tightened. Failure to verify that the pin and setscrew are properly installed (as shown in Figure 2) could result in the fan falling.

3. Align the clevis pin holes in the downrod with the holes in the motor coupling. Install the clevis pin and secure with the hairpin clip (Figure 2). (Pin and clip are supplied in loose parts bag.) The clevis pin must go through the holes in the motor coupling and the holes in the downrod. Push the straight leg of the hairpin clip through the hole near the end of the clevis pin until the curved portion of the hairpin clip snaps around the clevis pin. The hairpin clip must be properly installed to prevent the clevis pin from working loose. Pull on the hanger ball to make sure the clevis pin is properly installed.
4. Install the setscrew (supplied) in the motor coupling (Figure 2). While pulling up on the hanger ball, tighten the setscrew using the setscrew wrench (supplied).

**NOTE: The setscrew must be properly installed as described above, or fan wobble could result.**

5. Remove the hanger ball by loosening the setscrew in the hanger ball until the ball falls freely down the downrod (Figure 3). Remove the pin from the downrod, then remove the hanger ball. Retain the pin and hanger ball for reinstallation in step 8.



## Ceiling Fan Assembly (continued)

6. Screw two 1" threaded studs (supplied) into the motor (Figure 4). Leave approximately 7/8" of the stud extending above motor. Slide the motor cover over the downrod and rotate the cover until the threaded studs protrude; install two lockwashers and knurled knobs (supplied) to secure the cover.

**NOTE: Make sure the connected red leads, the connected brown leads, and the white lead are completely inside the motor cover and not pinched between the motor cover and the motor.**

7. Position the ceiling cover over the downrod. Be sure the cover is oriented correctly, with the large opening at the top (Figure 5).

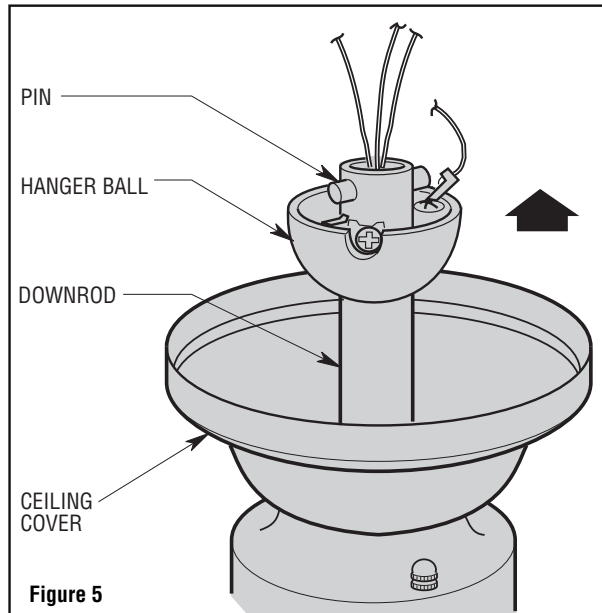
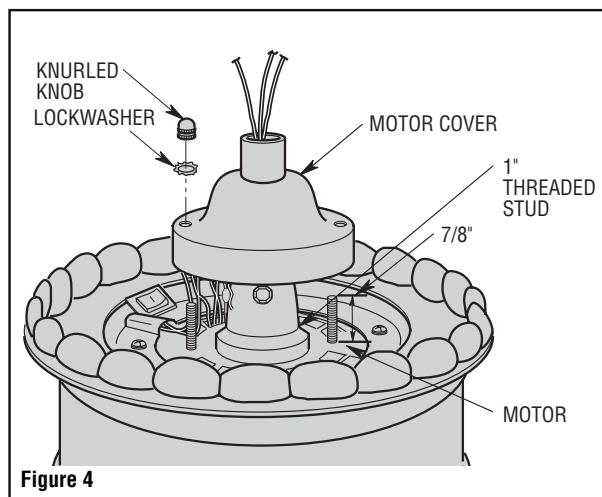
8. Reinstall the hanger ball on the downrod (Figure 5) as follows. Route the motor leads through the hanger ball and slide the hanger ball over the downrod. Install the pin through the holes at the top of the downrod and slide the hanger ball up the downrod, aligning the ball so the pin is captured in the groove in the top of the hanger ball. Pull the hanger ball up tight against the pin and securely tighten the setscrew in the hanger ball. A loose setscrew could create fan wobble.

9. The fan comes with blue, black and white leads that are 80" long. Before installing fan, measure up approximately 6 to 9-inches above the ball/downrod assembly. Cut off excess leads and strip back insulation 1/2-inch from end of leads.

### WARNING

It is critical that the pin in the hanger ball is properly installed and the setscrew securely tightened. Failure to verify that the pin and setscrew are properly installed could result in the fan falling.

Please call Emerson technical support at 1-800-654-3545 if you have any questions about installation and operation of this ceiling fan.



# How to Hang Your Ceiling Fan

## ⚠ WARNING

The fan must be hung with at least 7' of clearance from floor to blades (Figure 6).

## ⚠ WARNING

The outlet box and joist must be securely mounted and capable of supporting at least 50 lbs. Use only a U.L. outlet box listed as "Acceptable for Fan Support of 22.7kg. (50 lbs.) or less".

## ⚠ WARNING

To reduce the risk of fire, electric shock, or personal injury, mount fan to outlet box marked "Acceptable for Fan Support of 22.7kg. (50 lbs.) or less", and use screws supplied with outlet box. Most outlet boxes commonly used for support of light fixtures are not acceptable for fan support and may need to be replaced. Consult a qualified electrician if in doubt.

**NOTE:** For ease of installation, first the fan motor and housing assembly is installed on the ceiling. Then after wiring of the fan is completed, the fan blade assemblies will be attached to the motor hub.

1. Securely attach the hanger bracket to the outlet box using the two screws supplied with the outlet box. (Figure 7.)

## ⚠ WARNING

Hanger bracket must seat firmly against outlet box. If the outlet box is recessed, remove wall board until bracket contacts box. If bracket and/or outlet box are not securely attached, the fan could wobble or fall.

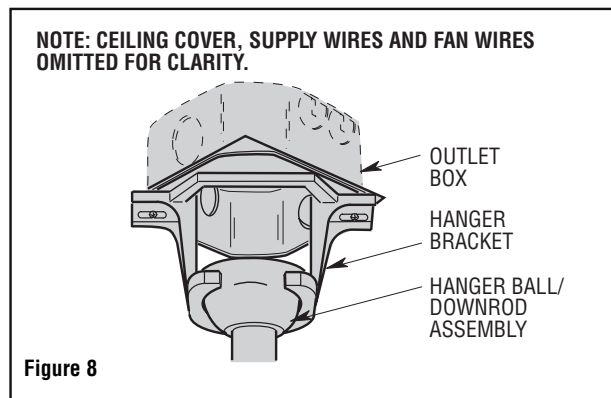
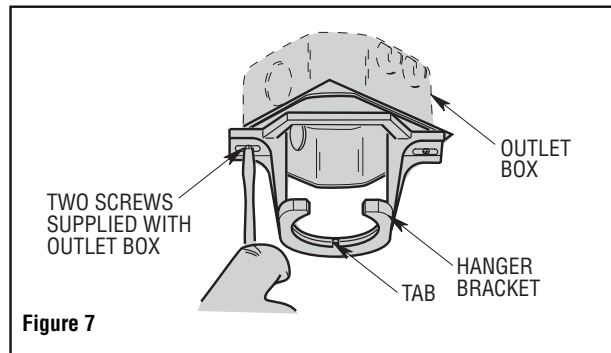
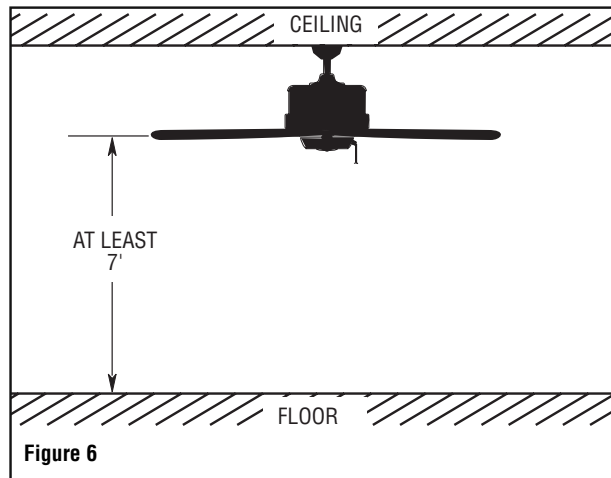
2. Carefully lift the fan and seat the hanger ball/downrod assembly on the hanger bracket that was just attached to the outlet box (Figure 8). Be sure the groove in the ball is lined up with tab on the hanger bracket (Figure 7).

## ⚠ WARNING

Failure to seat tab in groove could cause damage to electrical wires and possible shock or fire hazard.

## ⚠ WARNING

To avoid possible fire or shock, do not pinch wires between the hanger ball/downrod assembly and hanger bracket.



emersonfans.com

Please contact 1-800-654-3545 for further assistance

U.L. Model No.: CF2000

# How to Wire Your Ceiling Fan & Install the Control

If you feel that you do not have enough electrical wiring knowledge or experience, have your fan installed by a licensed electrician.

1. Connect the green grounding lead from the hanger ball and the green grounding lead from the hanger bracket to the grounding conductor of supply (this may be a bare wire or wire with green colored insulation) (Figure 9). Securely connect wires with wire connector supplied.

## ⚠ WARNING

To avoid possible electrical shock, be sure electricity is turned off at the main fuse box before wiring.

**NOTE:** If you are not sure if the outlet box is grounded, contact a licensed electrician for advice, as it must be grounded for safe operation.

## ⚠ WARNING

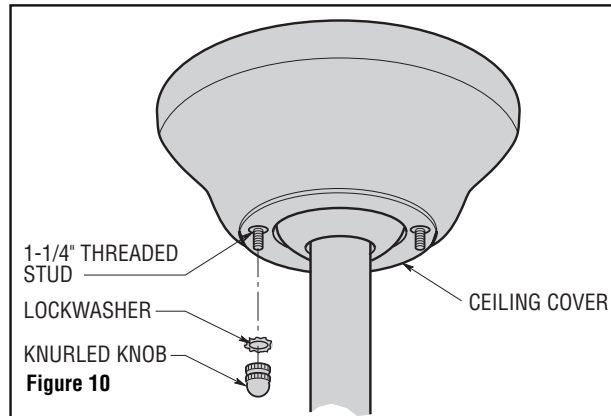
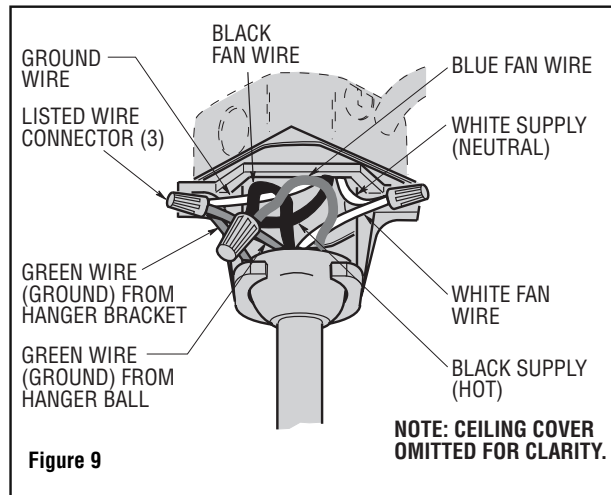
This product is designed to use only those parts supplied with this product and/or any accessories designated specifically for use with this product by Emerson Electric Co. Substitution of parts or accessories not designated for use with this product by Emerson Electric Co. could result in personal injury or property damage.

**NOTE:** If you are using an Emerson Light Fixture with your fan, see Light Fixture Owner's Manual for wiring.

2. Securely connect the fan motor white wire to the supply white (neutral) wire using wire connector supplied (Figure 9). Securely connect the fan motor black wire and blue wire to the supply black (hot) wire using wire connector supplied (Figure 9). After connections have been made, turn leads upward and carefully push leads into the outlet box, with the white and green leads on one side of the outlet box and the black and blue leads on the other side of the outlet box.

## ⚠ WARNING

Check to see that all connections are tight, including ground, and that no bare wire is visible at the wire connectors, except for the ground wire. Do not operate fan until blades are in place. Noise and fan damage could result.



3. Screw the two 1-1/4" threaded studs (supplied) into the tapped holes in the hanger bracket (Figure 10).
4. Lift the ceiling cover up to the threaded studs and turn until studs protrude through the holes in the ceiling cover (Figure 10).
5. Secure the ceiling cover in place by sliding lockwashers (supplied) over the threaded studs and installing the two knurled knobs (supplied). (Figure 10.) Tighten the knurled knobs securely until the ceiling cover fits snugly against the ceiling and the hole in the ceiling cover is clear of the downrod. Your fan is now wired to be turned on and off from the fan switch.

## ⚠ WARNING

To avoid possible fire or shock, make sure that the electrical wires are completely inside the outlet box and not pinched between the ceiling cover and the ceiling.



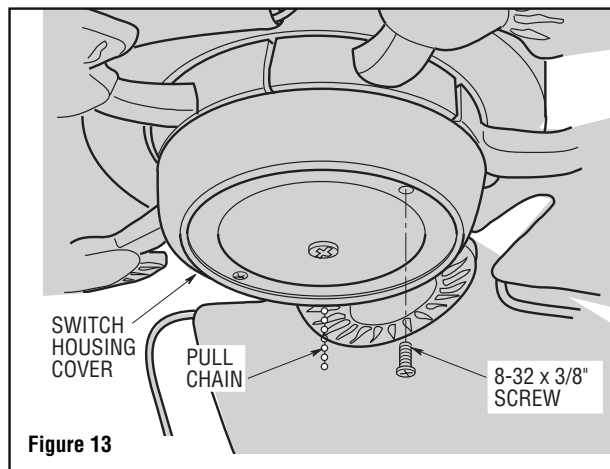
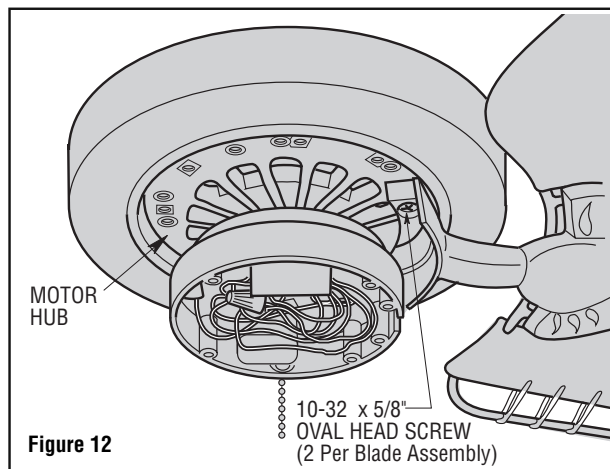
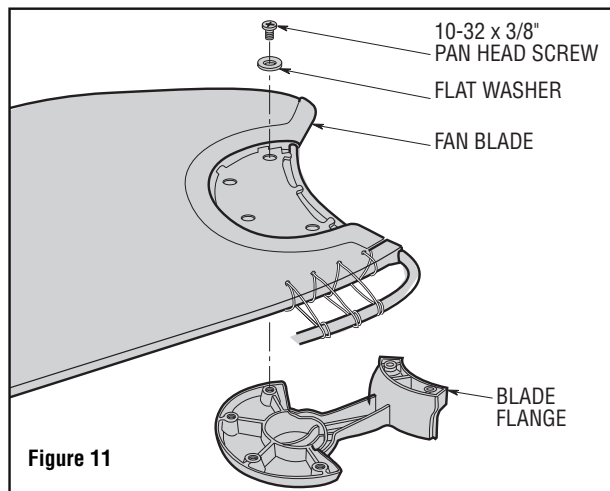
# Fan Blade Installation

1. Use four 10-32 x 3/8" pan head screws and flat washers (supplied) to secure the flange to the fan blade (ordered separately) (Figure 11). Repeat for the remaining four blades.
2. Use the 10 round recessed holes in the motor hub marked with "5" and install the five blade assemblies in accordance with Step 3.
3. Attach one blade assembly to the motor hub using two 10-32 x 5/8" oval head screws (supplied) (Figure 12). Do not tighten completely at this time. Install four remaining blade assemblies in the same way. Gently snug all flange screws to the motor hub, working around the hub in a clockwise sequence. Next, securely tighten all flange screws, again working in a clockwise sequence. Failure to follow this procedure could result in fan wobble. This completes the blade installation.

## WARNING

This product is designed to use only those parts supplied with this product and/or any accessories designated specifically for use with this product by Emerson Electric Co. Substitution of parts or accessories not designated for use with this product by Emerson Electric Co. could result in personal injury or property damage.

4. Slip the pull chain through the bushing in the switch housing cover. Position the switch housing cover on the switch housing and secure using two 8-32 x 3/8" screws (supplied) (Figure 13). Secure the pendant (supplied) to the pull chain using the connector (supplied).



emersonfans.com

Please contact 1-800-654-3545 for further assistance

U.L. Model No.: CF2000

## Using Your Ceiling Fan

1. Restore electrical power to the outlet box by turning the electricity on at the main fuse box.
2. Check the operation of the fan by gently pulling on the 4-position speed control pull chain switch. The operating sequence is as follows:
3. If airflow is desired in opposite direction, turn your fan off and wait for the blades to stop turning, then press the rocker switch located on top of the motor housing, and turn the fan on again. The fan blades will turn in the opposite direction and reverse airflow.

Your fan model is equipped with a 4-position, 3-speed pull chain switch. The operating sequence is as follows:

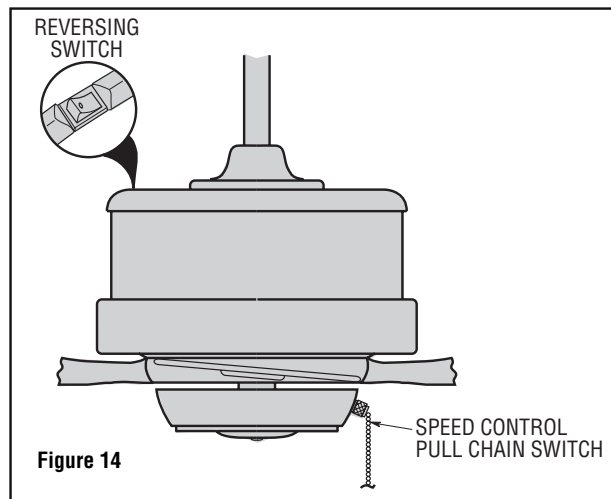
### Three-Speed

1st Pull—HIGH

2nd Pull—Medium

3rd Pull—Low

4th Pull—OFF



## Attaching Light Kit

To install an accessory light kit, remove the two screws securing the switch housing cover to the switch housing. Remove the screw plug from the bottom of the switch housing cover and install the light kit in accordance with the light kit Owner's Manual.

### ⚠ WARNING

To avoid possible electrical shock, be sure electricity is turned off at the main fuse box before wiring.

## Maintenance

### IMPORTANT CARE INSTRUCTIONS for your Ceiling Fan

Periodic cleaning of your new ceiling fan is the only maintenance that is needed.

When cleaning, use only a soft brush or lint free cloth to avoid scratching the finish.

Abrasive cleaning agents are not required and should be avoided to prevent damage to finish.

### ⚠ WARNING

Do not use water when cleaning your ceiling fan. It could damage the motor or the blades and create the possibility of an electrical shock.

# Accessories

1. Ceiling Fan Light Kits (see store or catalog).
2. Downrod Extension Kits (see store or catalog).
3. Ceiling Fan Controls (see store or catalog).

## ⚠ WARNING

The use of any other control not specifically approved for this fan could result in fire, shock and personal injury.

## ⚠ WARNING

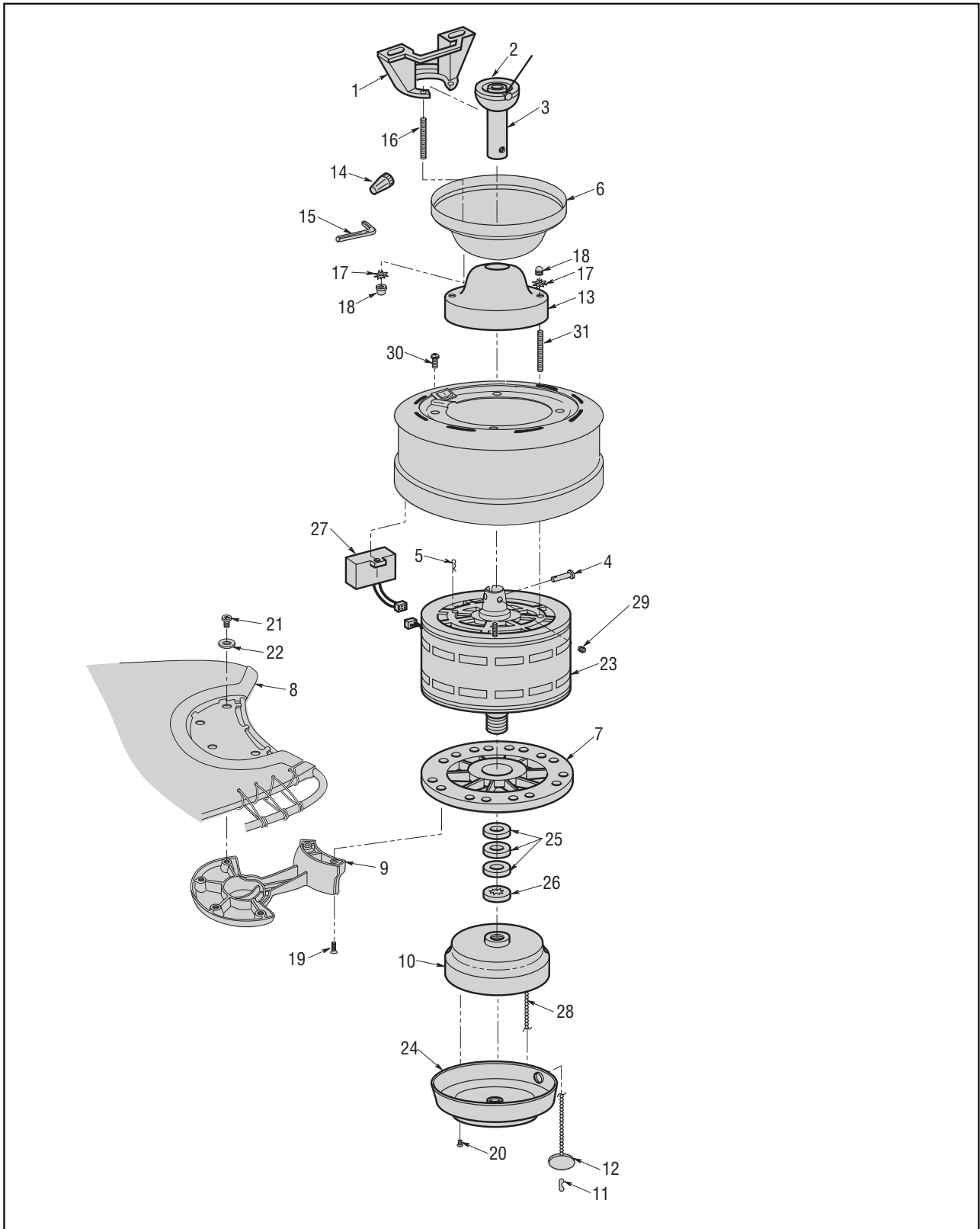
This product is designed to use only those parts supplied with this product and/or any accessories designated specifically for use with this product by Emerson Electric Co. Substitution of parts or accessories not designated for use with this product by Emerson Electric Co. could result in personal injury or property damage.

# Trouble Shooting

**⚠ WARNING: FOR YOUR OWN SAFETY TURN OFF POWER AT FUSE BOX OR CIRCUIT BREAKER BEFORE TROUBLE SHOOTING YOUR FAN.**

TROUBLE	PROBABLE CAUSE	SUGGESTED REMEDY
<b>1. Fan will not start.</b>	<ol style="list-style-type: none"> <li>1. Fuse or circuit breaker blown.</li> <li>2. Loose power line connections to the fan, or loose switch wire connections in the switch housing.</li> <li>3. Reversing switch in neutral position.</li> </ol>	<ol style="list-style-type: none"> <li>1. Check main and branch circuit fuses or circuit breakers.</li> <li>2. Check line wire connections to fan and switch wire connections in the switch housing.</li> </ol> <p><b>⚠ WARNING: Make sure main power is turned OFF.</b></p> <ol style="list-style-type: none"> <li>3. Make sure reversing switch position is all the way to one side.</li> </ol>
<b>2. Fan sounds noisy.</b>	<ol style="list-style-type: none"> <li>1. Blades not attached to fan.</li> <li>2. Loose screws in motor housing.</li> <li>3. Screws securing fan blade flanges to motor hub are loose.</li> <li>4. Wire connectors inside switch housing rattling.</li> <li>5. Screws holding blades to flanges are loose.</li> </ol>	<ol style="list-style-type: none"> <li>1. Attach blades to fan before operating.</li> <li>2. Check to make sure all screws in motor housing are snug (not over-tight).</li> <li>3. Check to make sure the screws which attach the fan flanges to the motor hub are tight.</li> <li>4. Check to make sure wire connectors in switch housing are not rattling against each other or against the interior wall of the switch housing.</li> </ol> <p><b>⚠ WARNING: Make sure main power is turned OFF.</b></p> <ol style="list-style-type: none"> <li>5. Tighten screws securely.</li> </ol>
<b>3. Fan wobbles excessively.</b>	<ol style="list-style-type: none"> <li>1. Setscrew in motor coupling is loose.</li> <li>2. Setscrew in hanger ball/downrod assembly is loose.</li> <li>3. Screws securing fan blade flanges to motor are loose.</li> <li>4. Fan blade flanges not seated properly.</li> <li>5. Hanger bracket and/or ceiling outlet box is not securely fastened.</li> <li>6. Fan blades out of balance.</li> </ol>	<ol style="list-style-type: none"> <li>1. Tighten both setscrews securely in the motor coupling.</li> <li>2. Tighten the setscrew in the hanger ball/downrod assembly.</li> <li>3. Check to be sure screws which attach the fan blade flanges to the motor are tight.</li> <li>4. Check to be sure the fan blade flanges seat firmly and uniformly to the surface of the motor. If flanges are seated incorrectly, loosen the flange screws and retighten according to the the procedure in the section on "Ceiling Fan Assembly".</li> <li>5. Tighten the hanger bracket screws to the outlet box, and/or secure outlet box.</li> <li>6. Interchanging an adjacent (side-by-side) blade pair can redistribute the weight and result in smoother operation.</li> </ol>

# Repair Parts



# Repair Parts Listing

Key No.	Description	Model Numbers		
		CF2000AB02	CF2000AP02	CF2000ORB02
1	Hanger Bracket Assy. Hanger Ball Assembly, Consisting of:	760732 761632-25	760732 761632-85	760732 761632-71
2	Hanger Ball	—	—	—
3	Downrod	—	—	—
	Parts Bag Containing:	762392	762392	762392
4	Pin, Clevis (1)	—	—	—
5	Clip, Hairpin (1)	—	—	—
11	Coupling (1)	—	—	—
12	Pendant (1)	—	—	—
14	Wire Connector (3)	—	—	—
15	Wrench, Setscrew (1)	—	—	—
16	Stud, Threaded 1-1/4" (2)	—	—	—
17	Lockwasher (4)	—	—	—
18	Knob, Knurled (4)	—	—	—
19	Screw, 10-32 x 5/8" (11)	—	—	—
20	Screw, 8-32 x 3/8" (2)	—	—	—
21	Screw, 10-32 x 3/8" (21)	—	—	—
22	Washer, Flat (21)	—	—	—
29	Setscrew, Hex Socket (1)	—	—	—
30	Stud, Threaded, 1" (2)	—	—	—
6	Ceiling Canopy	761620-AB	761620-AP	761620-ORB
7	Hub, Rubber	760601	760601	760601
8	Blade Assembly (Full set for one fan)	*	*	*
9	Flange Set (Full set for one fan)	762203	762203-AP	762203-7
10	Switch Housing Assy.	762113-2	762113-AP	762113-14
13	Cover, Motor	761621-3	761621-AP	761621-25
23	Motor	762508	762508	762508
24	Cover, Switch Housing Assembly	761515-5	761515-AP	761515-12
25	Washer, 9/16"	—	—	—
26	Lockwasher, 9/16"	—	—	—
27	Aux. Capacitor	762243	762243	762243
28	Harness, Wiring	762090-4	762090-4	762090-4
30	Screw, #8 Washerhead, 8-32 x 3/8" (4)	—	—	—
—	Owner's Manual	BP7323-2	BP7323-2	BP7323-2

\*Fan blade

**Before discarding packaging material, be certain all parts have been removed.**

## HOW TO ORDER REPAIR PARTS

WHEN ORDERING REPAIR PARTS, ALWAYS GIVE THE FOLLOWING INFORMATION:

- PART NUMBER
- NAME OF ITEM
- PART DESCRIPTION
- MODEL NUMBER

The model number of your Fan will be found on a label attached to the top housing.

For repair parts, phone 1-800-654-3545.

emersonfans.com  
Please contact 1-800-654-3545 for further assistance  
U.L. Model No.: CF2000

# Notes

# Emerson Air Comfort Ceiling Fan Limited Warranty

## **What The Limited Warranty Covers:**

This limited warranty is offered by Air Comfort Products division of Emerson Electric Co. ("Emerson" "we" or "us") located at the address stated below to the original retail purchaser ("you" or "your") of an Emerson Air Comfort Ceiling Fan product ("Emerson Ceiling Fan") and covers the motor and the other components and accessories of the Emerson Ceiling Fan against all defects in workmanship and materials.

## **What The Period Of Coverage Is:**

This limited warranty will cover the Emerson Ceiling Fan motor for the expected lifetime of your Emerson Ceiling Fan (when operated in accordance with your Owner's Manual or other instructions provided by Emerson to you with the Emerson Ceiling Fan). All other components and accessories of the Emerson Ceiling Fan are covered by this limited warranty for a period of one (1) year from its date of original retail purchase. ANY IMPLIED WARRANTY, INCLUDING WITHOUT LIMITATION, ANY IMPLIED WARRANTY OF MERCHANTABILITY OR FITNESS FOR A PARTICULAR PURPOSE THAT IS AVAILABLE TO YOU UNDER THE LAWS OF YOUR STATE OR PROVINCE SHALL COVER THE MOTOR FOR THE EXPECTED LIFETIME OF THE MOTOR (SUBJECT TO PROPER USE), AND FOR ONE YEAR WITH RESPECT TO COMPONENTS AND ACCESSORIES.

## **No Other Express or Implied Warranty Applies:**

THE LIMITED WARRANTIES PROVIDED ABOVE ARE THE SOLE AND EXCLUSIVE WARRANTIES PROVIDED BY EMERSON TO YOU FOR YOUR EMERSON CEILING FAN, AND ARE IN LIEU OF ALL OTHER WARRANTIES, WRITTEN OR ORAL, EXPRESS OR IMPLIED, WHETHER ARISING BY OPERATION OF LAW OR OTHERWISE, WHETHER OR NOT THE PURPOSE HAS BEEN DISCLOSED AND WHETHER OR NOT THE EMERSON CEILING FAN HAS BEEN SPECIFICALLY DESIGNED OR MANUFACTURED FOR YOUR USE OR PURPOSE. EMERSON HEREBY DISCLAIMS ANY AND ALL IMPLIED WARRANTIES, INCLUDING WITHOUT LIMITATION, IMPLIED WARRANTIES OF MERCHANTABILITY OR FITNESS FOR A PARTICULAR PURPOSE FOR COMPONENTS AND ACCESSORIES AS OF THE EXPIRATION OF THE ONE YEAR WARRANTY PERIOD FOR SUCH COMPONENTS AND ACCESSORIES. IMPLIED WARRANTIES OF MERCHANTABILITY OR FITNESS FOR A PARTICULAR PURPOSE FOR THE MOTOR PORTION OF THE EMERSON CEILING FAN ARE LIKEWISE DISCLAIMED BY EMERSON AT SUCH TIME THAT THE EXPECTED LIFETIME OF THE EMERSON CEILING FAN UNDER NORMAL USAGE HAS BEEN REACHED. EXCLUSIONS OR LIMITATIONS OF IMPLIED WARRANTIES MAY VARY FROM STATE TO STATE AND PROVINCE TO PROVINCE SO THE ABOVE LIMITATIONS MAY NOT APPLY TO YOU.

## **What We Will Do To Correct Problems:**

If during the one (1) year warranty period the motor or any component or accessory of your Emerson Ceiling Fan is defective in materials or workmanship, or if during the expected lifetime of the Emerson Ceiling Fan (when used in accordance with the User Manual or other instructions) the motor is defective in materials or workmanship, you must contact Emerson during the applicable warranty period. If the defect is covered by warranty, Emerson will repair or replace the defective motor, component or other accessory at no charge to you. If repair of the motor, component or accessory is not practical or possible within a reasonable time and no replacement Emerson Ceiling Fan can be provided, Emerson will refund to you the actual purchase price of your Emerson Ceiling Fan. We will ship the repaired or the replacement Emerson Ceiling Fan to you at no charge, but you are responsible for all costs of removal and reinstallation of your Emerson Ceiling Fan.

## **How You Can Receive Warranty Service:**

You must be the original retail purchaser and have proof of your purchase of the Emerson Ceiling Fan to obtain your remedy under this limited warranty. You can return your Emerson Ceiling Fan to your place of purchase, or you can call Emerson Customer Service at 1-800-237-6511 to obtain a return authorization and service identification tag. In order for us to confirm that your Emerson Ceiling Fan is still under warranty, please retain your receipt or other proof of purchase and have that information readily available when returning your Emerson Ceiling Fan to your place of purchase, or upon calling Emerson Customer Service. If you call Emerson Customer Service, prior to your call please be prepared to provide all model numbers shown on your Emerson Ceiling Fan. Once we have processed your return authorization request, we will provide you with a postage paid return label which should be affixed to the Emerson Ceiling Fan package you ship to the address listed at the end of this limited warranty. The return label will be sent to the mailing address you provide to us by phone.

## **What Is Not Covered:**

### **This limited warranty does not extend to and expressly excludes:**

- The glass globes and light bulbs of your Emerson Ceiling Fan,
- Loss or damage to the motor or any component or accessory caused by normal wear and tear, rather than due to defects in materials or workmanship,
- Loss or damage resulting from conditions beyond our reasonable control, including without limitation, repairs not made at our factory or authorized service center, use of parts or accessories not provided to you as part of this warranty by our factory or authorized service center, mishandling, unreasonable use, misuse, abuse, modifications or other damage caused by you or a third party to your Emerson Ceiling Fan while not in our possession,
- Loss or damage resulting from improper installation, or other failure to comply with instructions in your Owner's Manual.

This limited warranty is deemed null and void upon the occurrence of either of the following events:

- You cease to own the Emerson Ceiling Fan product, or
- The Emerson Ceiling Fan is moved from its original point of installation.

This limited warranty is only valid within the 50 United States, the District of Columbia, and Canada. No other written or oral warranties apply, and no employee, agent, dealer or other person is authorized to give any warranties on behalf of Air Comfort Products or Emerson Electric Co.

## **Limitation of Liability**

REPAIR, REPLACEMENT OR A REFUND ARE THE EXCLUSIVE REMEDIES AVAILABLE TO YOU UNDER THIS LIMITED WARRANTY. TO THE EXTENT PERMITTED BY LAW, IN NO EVENT SHALL EMERSON OR ANY EMERSON AUTHORIZED DEALER BE LIABLE FOR ANY INCIDENTAL, SPECIAL, INDIRECT, OR CONSEQUENTIAL DAMAGES, INCLUDING ANY ECONOMIC LOSS, WHETHER RESULTING FROM NONPERFORMANCE, USE, MISUSE OR INABILITY TO USE THE EMERSON CEILING FAN OR FOR THE NEGLIGENCE OF EMERSON OR AN EMERSON AUTHORIZED DEALER. EMERSON SHALL NOT BE LIABLE FOR DAMAGES CAUSED BY DELAY IN PERFORMANCE AND IN NO EVENT, REGARDLESS OF THE FORM OF THE CLAIM OR CAUSE OF ACTION (WHETHER BASED IN CONTRACT, INFRINGEMENT, NEGLIGENCE, STRICT LIABILITY, OTHER TORT OR OTHERWISE), SHALL EMERSON'S OR ANY EMERSON AUTHORIZED AGENT'S LIABILITY TO YOU OR ANY INDIVIDUAL USING THE EMERSON CEILING FAN EXCEED THE PRICE PAID BY THE ORIGINAL OWNER FOR THE EMERSON CEILING FAN. The term "consequential damages" shall include, but not be limited to, loss of anticipated profits, business interruption, loss of use or revenue, cost of capital or loss or damage to property or equipment.

## **How State and Provincial Law Relates To The Warranty:**

Some states and provinces do not allow the exclusion or limitation of incidental or consequential damages so the above exclusion or limitation may not apply to you. This limited warranty gives you specific legal rights, and you may also have other rights which vary from state to state or province to province.

emersonfans.com

Please contact 1-800-654-3545 for further assistance

U.L. Model No.: CF2000



# EMERSON™

## **Air Comfort Products**

DIVISION OF EMERSON ELECTRIC CO.  
8100 W. Florissant • St. Louis, MO 63136

Questions, problems, missing parts: Before returning to the store call  
Emerson Electric Customer Service  
8 a.m. - 6 p.m., EST, Monday-Friday

**1-800-654-3545**

**[www.emersonfans.com](http://www.emersonfans.com)**

Retain this manual for future use.