

TYPE: _____
 CATALOG #: _____
 NOTES: _____

NEMA-3R



REMOTE FIXTURES

Literay™ Series

Wall Mount Remote Head for Damp and Wet Locations

Features

- Indoor or Outdoor use
- Die-Cast aluminum construction
- Fully gasketed cover available with (optional) Tamper Proof Screws
- Adjustable tool-less aiming swivel head rotates side to side and tilts in and out
- Surface Wall Mount
- Universal knock-outs for mounting to a standard 4" octagonal electrical box
- Precise beam control is provided with two fully adjustable MR16 halogen or LED lamps secured in an attractive molded swivel assembly for maximum light output
- Provides an average of one-foot candle along the path of egress
- Specially manufactured polycarbonate diffuser maximizes light output, and completes the wall sconce's decorative lines
- Available in four textured powder coat paint finishes: white, black, dark bronze and dark gray

Electrical

Power Requirements

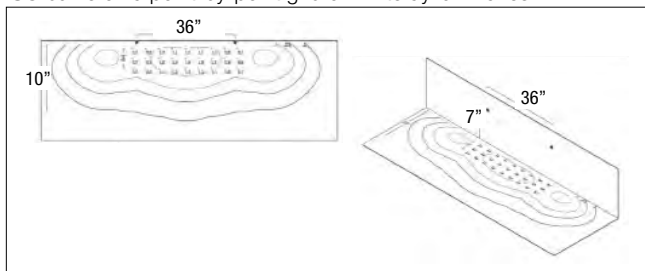
Make the proper connections. The fixture is made for 6, 12 or 12Vdc (see lamp voltage on marking). Connect the lamp wires to the DC supply wires. This unit comes standard with two MR16 lamps, see legend for wattage selection.

Unit Warranty*

Entire unit (excluding lamps) carries a 3 years full warranty.
 *Subject to proper installation and maintenance.

Photometrics

ISO curve on a point-by-point grid of 2 Literay luminaries



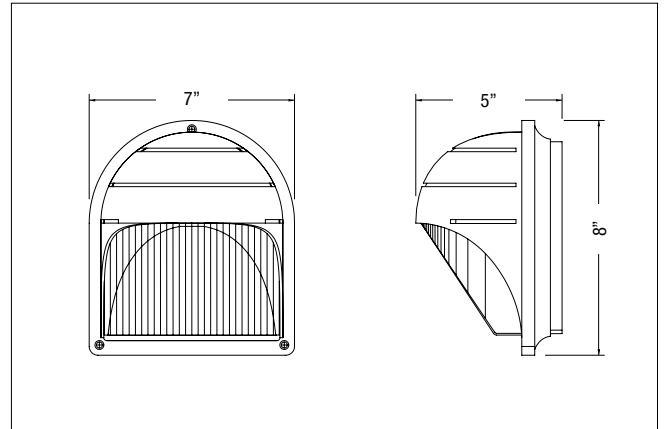
Suggested Specification

Supply and install **Emergi-Lite® LiteRay™ Series**, remote emergency wall mount lighting fixtures, Model - _____. The remote fixtures shall be fully gasketed and NEMA-3R rated They are specifically designed for wet and cold weather locations. It responds perfectly to the code requirements for indicating, on the building exterior, where the path of egress is located inside the building. The equipment back plate shall be of die-cast Aluminum, with a powder coat finish and is designed to mount directly on a typical, 4-inch octagonal electrical junction box. The lens cover shall be constructed of heavy-duty vandal-resistant polycarbonate, equipped, with stainless steel screws. Tamper proof screws can be ordered as an option separately. (See Options) The remote fixture shall be UL Listed for wet and damp locations the emergency lights shall be fully adjustable and equipped with an innovative swivel system, allowing for easy rotation in order to provide for an illumination in any direction of the path of egress. The heads shall be equipped with high efficiency MR16 halogen lamp(s) of ____V____W. These remote fixtures shall provide illumination in emergency operation and receive their DC power according to the load provided by the Lightalms battery unit model- _____. The duration of the DC backup shall be ____ hours, according to the Building Code having jurisdiction in the geographical location in which the remote fixture will be installed.

The unit shall be **Emergi-Lite®** model: _____.

Dimensions

Dimensions are approximate and subject to change.



How to Order

SERIES	# OF LAMPS	LAMP TYPE/WATTAGE	COLOR	OPTIONS
LITE= Exterior remote	-2= 2 lamps (standard) -1= 1 lamp (AC only)	(LA)= 6V-4W, MR16 LED (LG)= 2V-4W, MR16 LED (LL)= 24V-4W, MR16 LED (LV)= 120V-4W, MR16 LED (LJ)= 12V-5W, MR16 LED (LJ)= 12V-6W, MR16 LED	(MI)= 6V-6W, MR16 (MJ)= 6V-10W, MR16 (MK)= 12V-12W, MR16 (MD)= 24V-20W, MR16 (MS)= 24V-12W, MR16 (MA)= 12V-20W, MR16 (AC)= 1 med. base socket only (max. 60W), no lamp included, for non-emergency	-WT= White -BK= Black -DG= Dark gray -BZ= Dark bronze Blank= No options -VR= Vandal-resistant screws -N= Clear lens

Example: LITE-2(MI)-WT-VR