

TYPE: _____
 CATALOG #: _____
 NOTES: _____

NEMA-3R 

Literay™ Series

Wall Mount Remote Head for Damp and Wet Locations



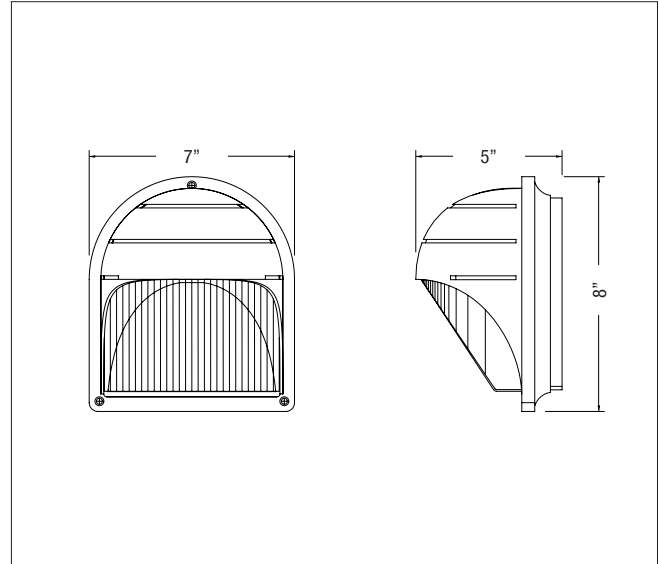
REMOTE FIXTURES

Features

- Indoor or Outdoor use
- Die-Cast aluminum construction
- Fully gasketed cover available with (optional) Tamper Proof Screws
- Adjustable tool-less aiming swivel head rotates side to side and tilts in and out
- Surface Wall Mount
- Universal knock-outs for mounting to a standard 4" octagonal electrical box
- Precise beam control is provided with two fully adjustable MR16 halogen or LED lamps secured in an attractive molded swivel assembly for maximum light output
- Provides an average of one-foot candle along the path of egress
- Specially manufactured polycarbonate diffuser maximizes light output, and completes the wall sconce's decorative lines
- Available in four textured powder coat paint finishes: white, black, dark bronze and dark gray

Dimensions

Dimensions are approximate and subject to change.



How to Order

SERIES	# OF LAMPS	LAMP TYPE/WATTAGE	COLOR	OPTIONS
LITE= Exterior remote	-2= 2 lamps (standard) -1= 1 lamp (AC only)	(LA)= 6V-4W, MR16 LED (LG)= 2V-4W, MR16 LED (LL)= 24V-4W, MR16 LED (LV)= 120V-4W, MR16 LED (LI)= 12V-5W, MR16 LED (LJ)= 12V-6W, MR16 LED (MI)= 6V-6W, MR16 (MJ)= 6V-10W, MR16 (MK)= 12V-12W, MR16 (MD)= 24V-20W, MR16 (MS)= 24V-12W, MR16 (MA)= 12V-20W, MR16 (AC)= 1 med. base socket only (max. 60W), no lamp included, for non-emergency	-WT= White -BK= Black -DG= Dark gray -BZ= Dark bronze	Blank= No options -VR= Vandal-resistant screws -N= Clear lens

Example: LITE-2(MI)-WT-VR