

DAYTON® SPECIFICATIONS

Dayton® Elite Double Bowl Sink Models DSE23321 and DSE23322

GENERAL

Sink is formed of #20 gauge, 300 series, nickel-bearing stainless steel. Top mount.

DESIGN FEATURES

Bowl Depth: 8-1/16" (206mm)

Rim Height: 3/16" (5mm)

Faucet Deck: Raised

Coved Corners: 4" (102mm) vertical and 3-1/4" (83mm) horizontal radius.

Finish: Exposed surfaces are polished to an elite satin finish.

OTHER

Drain Opening: 3-1/2" (89mm)

Note: Unless otherwise specified, sink is furnished with 4 faucet holes as shown.

Installation Hardware: Included for 3/4" (19mm) countertop.

OPTIONAL ACCESSORIES

Bottom Grid: GBG1415SS

Drain: LK35, D1125

Sink complies with ASME A112.19.3/ CSA B45.4



Sinks are listed by IAPMO® as meeting the applicable requirements of the Uniform Plumbing Code®, International Plumbing Code®, and National Plumbing Code of Canada.

SINK PACKAGE

DSE233224DF includes: (1) Sink - DSE233224, (1) Faucet - LK1001CR, and (2) Drains.

DSE233223DFBG includes: (1) Sink - DSE233223, (1) Faucet - LK5000CR, (1) Bottom Grid - GBG1415SS, and (2) Drains.

FAUCET FEATURES

LK1001CR

- Chrome finished, single-lever kitchen faucet with side spray.

- Flexible supply tubes with 1/2" (13mm) male IPS adapters.

LK5000CR

- Chrome finished, single-lever kitchen faucet with pull-down spray.

- Braided stainless steel supply lines.

Faucets comply with: ADA, ANSI/NSF61, ASME A112.18.1/CSA B125.1, cUPC, CA AB1953

Faucet flow rate: 1.5 GPM/5.7 L/min at 60 P.S.I.G.

BOTTOM GRID FEATURES

Nickel-bearing stainless steel

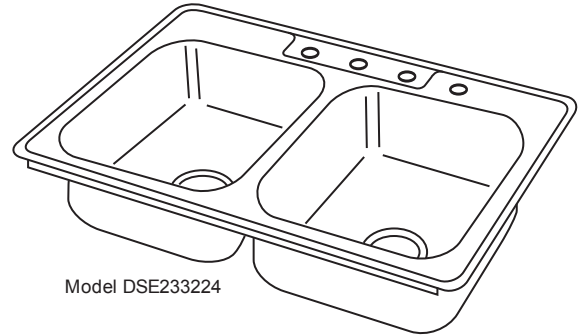
Bright finish

Dishwasher safe

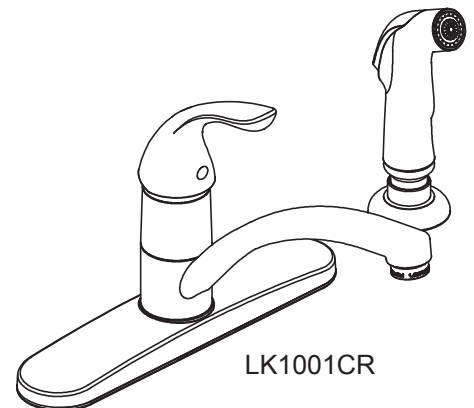
DRAIN FEATURES

Stainless steel body and strainer.

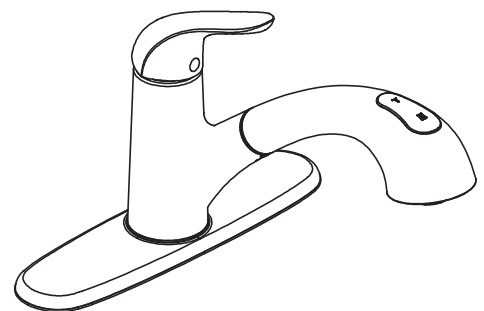
Fits 3-1/2" (89mm) opening.



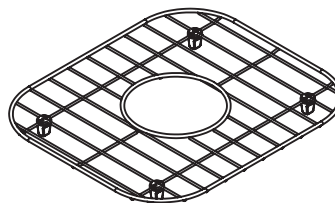
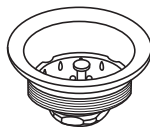
Model DSE233224



LK1001CR



LK5000CR



GBG1415SS

In keeping with our policy of continuing product improvement, Elkay reserves the right to change product specifications without notice. Please visit elkay.com for the most current version of Elkay product specification sheets.

This specification describes an Elkay product with design, quality, and functional benefits to the user. When making a comparison of other producers' offerings, be certain these features are not overlooked.

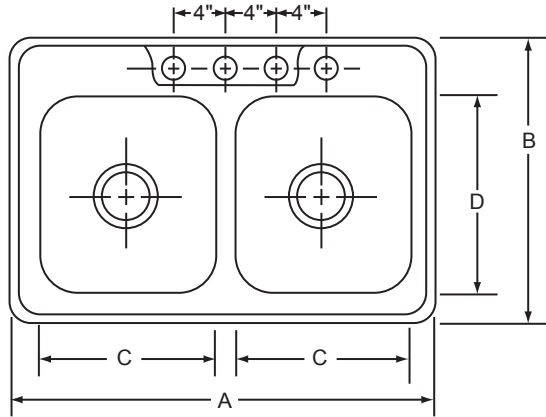
DAYTON® SPECIFICATIONS

Dayton® Elite Double Bowl Sink Models DSE23321 and DSE23322

SINK DIMENSIONS (INCHES)*

U-Channel Model Number	Overall		Inside Each Bowl			Cutout in Countertop (1-1/2" (38mm) Radius Corners)		No. of 1-1/2" (38mm) Dia. Faucet Holes 4" (102mm) Center	Minimum Cabinet Size
	L	W	L	W	D	L	W		
	A	B	C	D	E	L	W		
DSE23321	33 (838mm)	21-1/4 (540mm)	14 (356mm)	15-3/4 (400mm)	8-1/16 (206mm)	32-3/8 (822mm)	20-5/8 (524mm)	1, 2, MR2, 3, 4 or 5	36 (914mm)
DSE23322	33 (838mm)	22 (559mm)	14 (356mm)	15-3/4 (400mm)	8-1/16 (206mm)	32-3/8 (822mm)	21-3/8 (543mm)	1, 2, MR2, 3, 4 or 5	36 (914mm)

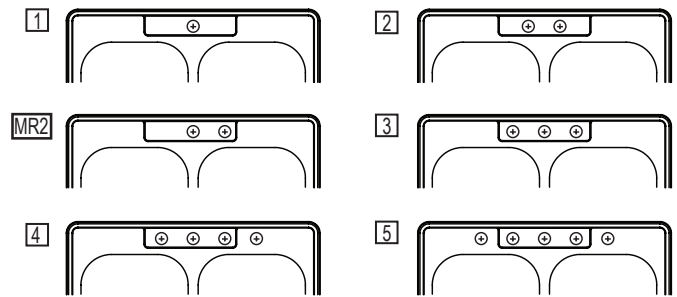
*Length is left to right. Width is front to back.



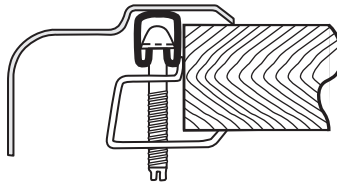
E is Bowl Depth

Hole Drilling Configurations

1-1/2" (38mm) Diameter Faucet Holes on 4" (102mm) Centers



U-Channel Type Mounting System



In keeping with our policy of continuing product improvement, Elkay reserves the right to change product specifications without notice. Please visit elkay.com for the most current version of Elkay product specification sheets.

This specification describes an Elkay product with design, quality, and functional benefits to the user. When making a comparison of other producers' offerings, be certain these features are not overlooked.