

# DAYTON SPECIFICATIONS

## Dayton® A.D.A. Compliant Sink Models GE12521, GE12521L, GE12521R, GE23321 and GE23322

### GENERAL

Sink is formed of #22 (.8mm) gauge, 300 series, nickel-bearing stainless steel. Top mount.

### DESIGN FEATURES

Bowl Depth: 5-3/8" (137mm).

Coved Corners: 3" (76mm) vertical and 2-1/4" (57mm) horizontal radius.

Finish: Exposed surfaces are polished to a satin finish.

Underside: Undercoated on bottom of bowls.

### OTHER

Drain Opening: 3-1/2" (89mm).

Suffix L (left) or R (right) denotes location of the drain.

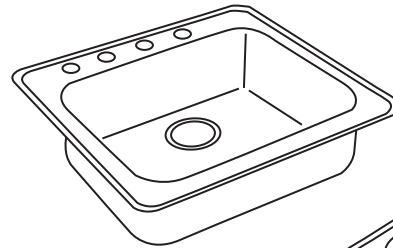
These Sinks comply with ASME A112.19.3/ CSA B45.4



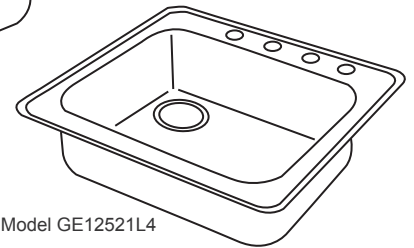
Sinks are listed by IAPMO® as meeting the applicable requirements of the Uniform Plumbing Code®, International Plumbing Code®, and National Plumbing Code of Canada.



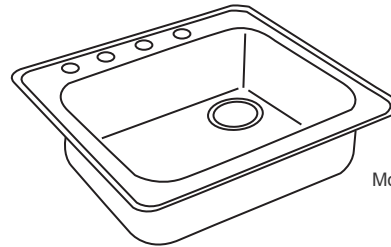
These sinks are compliant to ADA and ANSI/ICC A117.1 accessibility requirements when installed according to the requirements outlined in these standards.



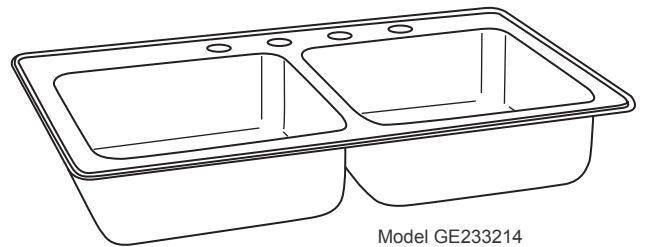
Model GE125214



Model GE12521L4

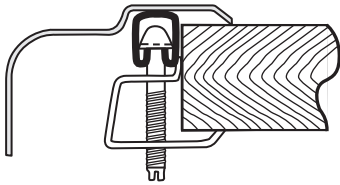


Model GE12521R4



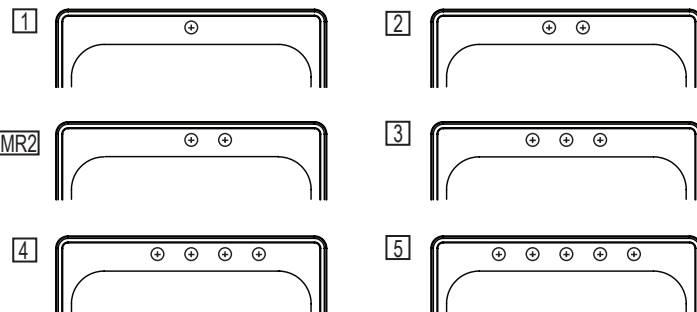
Model GE233214

### U-Channel Type Mounting System



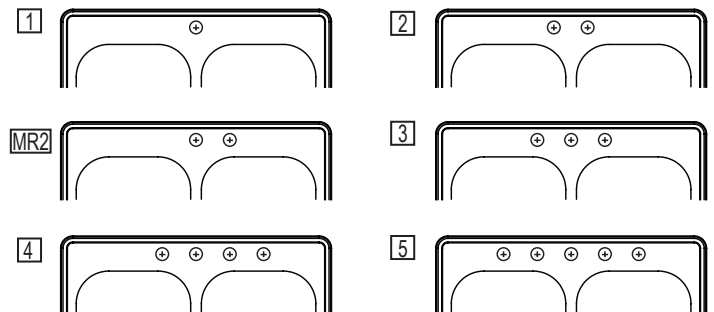
### Hole Drilling Configurations

1-1/2" (38mm) Diameter Faucet Holes on 4" (102mm) Centers



### Hole Drilling Configurations

1-1/2" (38mm) Diameter Faucet Holes on 4" (102mm) Centers



SEE OTHER SIDE FOR PRODUCT DIMENSIONS.

*In keeping with our policy of continuing product improvement, Elkay reserves the right to change product specifications without notice. Please visit [elkayusa.com](http://elkayusa.com) for most current version of Elkay Product specification sheets.*

*This specification describes an Elkay product with design, quality and functional benefits to the user. When making a comparison of other producers' offerings, be certain these features are not overlooked.*

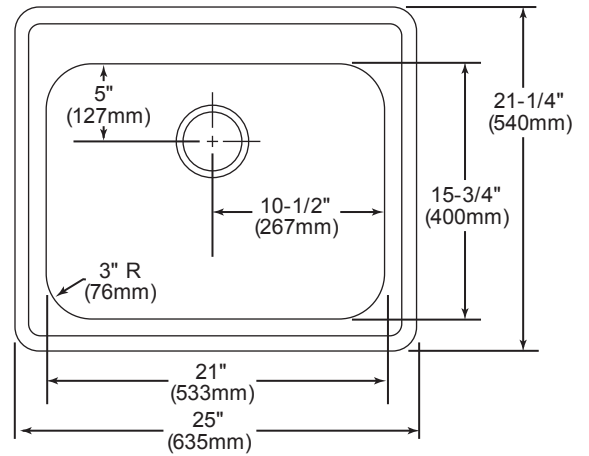
**Dayton® A.D.A. Compliant Sink**  
**Models GE12521, GE12521L,**  
**GE12521R, GE23321 and GE23322**

**DAYTON**  
**SPECIFICATIONS**

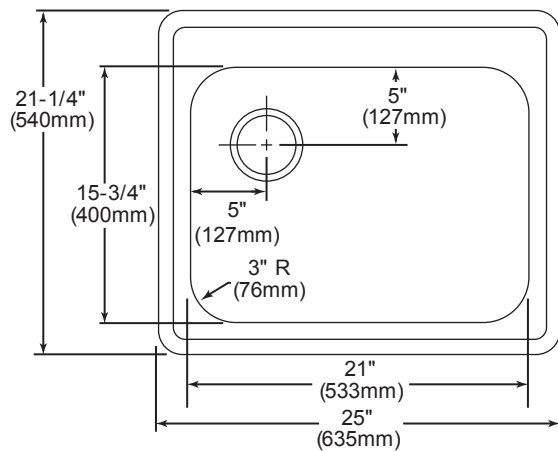
**SINK DIMENSIONS\***

Model Number	Overall		Inside Each Bowl			Cutout in Countertop (1 1/2" [38mm] Radius Corners)		No. of 1 1/2" (38mm) Dia. Faucet Holes	Minimum Cabinet Size
	L	W	L	W	D	L	W		
GE12521	25 (635mm)	21 1/4 (540mm)	21 (533mm)	15 3/4 (400mm)	5 3/8 (137mm)	24 3/8 (619mm)	20 5/8 (524mm)	1, MR2, 2,3,4,5	30 (762mm)
GE12521L	25 (635mm)	21 1/4 (540mm)	21 (533mm)	15 3/4 (400mm)	5 3/8 (137mm)	24 3/8 (619mm)	20 5/8 (524mm)	1, MR2, 2,3,4,5	30 (762mm)
GE12521R	25 (635mm)	21 1/4 (540mm)	21 (533mm)	15 3/4 (400mm)	5 3/8 (137mm)	24 3/8 (619mm)	20 5/8 (524mm)	1, MR2, 2,3,4,5	30 (762mm)
GE23321	33 (838mm)	21 1/4 (540mm)	14 (356mm)	15 3/4 (400mm)	5 3/8 (137mm)	32 3/8 (821mm)	20 5/8 (524mm)	3 or 4	36 (914mm)
GE23322	33 (838mm)	22 (559mm)	14 (356mm)	15 3/4 (400mm)	5 3/8 (137mm)	32 3/8 (821mm)	21 3/8 (543mm)	3 or 4	36 (914mm)

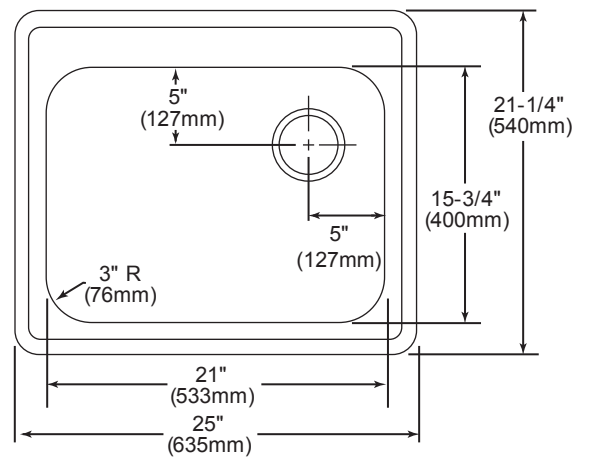
\*Length is left to right. Width is front to back.



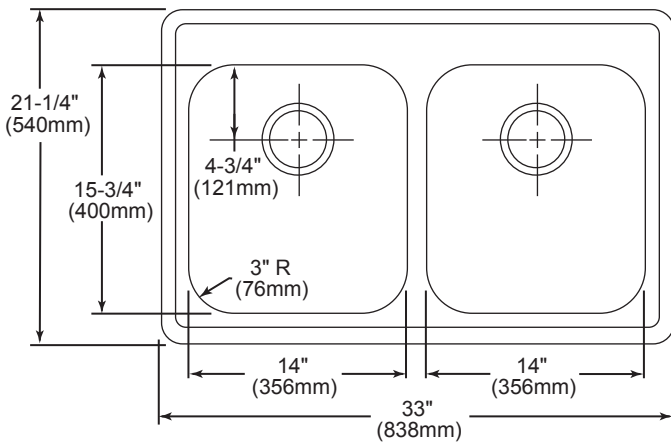
Model GE12521 Illustrated



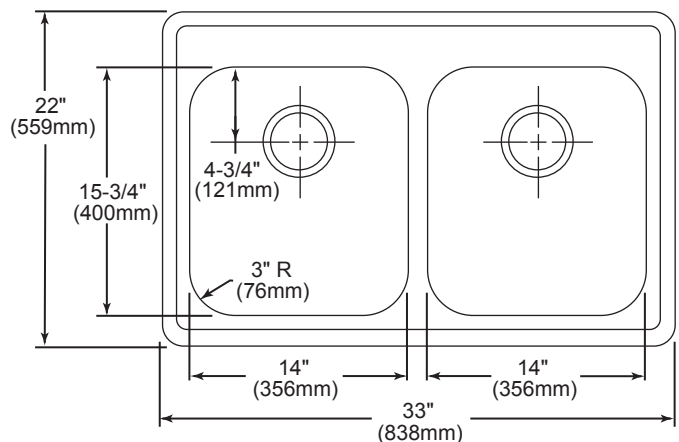
Model GE12521L Illustrated



Model GE12521R Illustrated



Model GE23321 Illustrated



Model GE23322 Illustrated