

# Wallbox Lighting Controls

Project Name:	Prepared By:
Project Number:	Date:
Catalog Number:	Type:

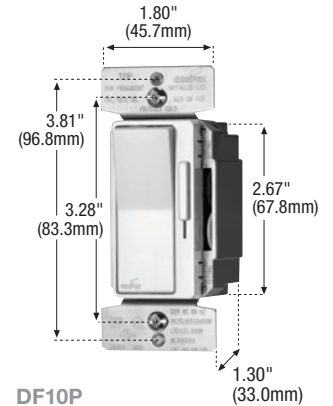
## DEVINE 0-10 Volt Dimmer

Single-Pole & 3-Way  
0-10 Volt Dimming Control with Integrated  
ON/OFF Switch

### DEVINE Dimmers

#### Features

- Preset feature allows user to return to previous light level when turning lights ON
- Integrated full-slide control for easy, precise operation
- Can be wired as Single-Pole or 3-Way
- Neutral is not required for installation of device
- Adjustable high-level trim setting for optimal lamp compatibility
- Faceplate is removable to allow for color changes
- Each package includes 3 colors
- Electrostatic discharge protection
- Compatible with any decorator wallplate or screwless decorator wallplate
- Compatible with dimmable LED and Fluorescent 0-10 Volt ballasts

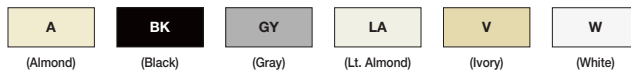


### DEVINE Dimmers, Back & Side Wire

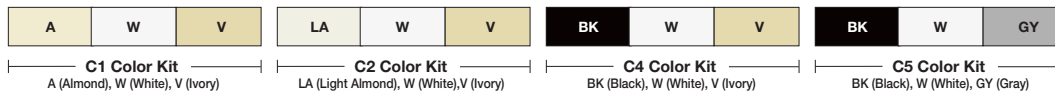
Rating Watt	Compatible V/AC	Compatible Lamp Types	Description	Color Suffix	Catalog No.
1200	120	Dimmable LED/FLR	Slide Dimmer, Single-Pole/	C1, C2, C4, C5	<input type="checkbox"/> DF10P-__
1660	277	0-10V Ballasts	3-Way Preset		
Color Change Faceplate for DF10P				A, BK, GY, LA, V, W	<input type="checkbox"/> DCK1-__

#### Faceplate Color Ordering Information:

For ordering devices, include Catalog No. followed by the Color Suffix: A (Almond), BK (Black), GY (Gray), LA (Light Almond), V (Ivory), W (White)



#### Color Kit Color Combinations and Ordering Suffixes (for select models):



### TESTING & CODE COMPLIANCE

- cULus Listed to UL1472 file no. E47967
- NOM Certified

### MATERIAL CHARACTERISTICS

- Environmental: Flammability meets UL94 requirements; V2 rated
- Temperature Rating: -20°C to 70°C (-4°F to 158°F)

Specifications and availability are subject to change without notice.

# Wallbox Lighting Controls

Project Name:	Prepared By:
Project Number:	Date:
Catalog Number:	Type:

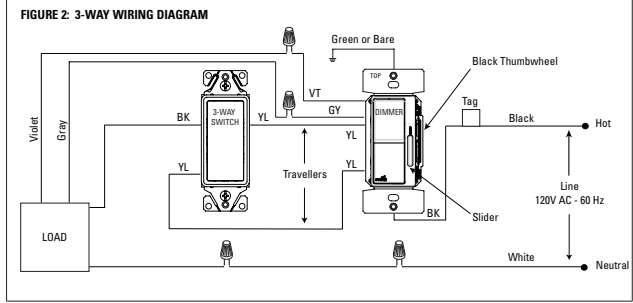
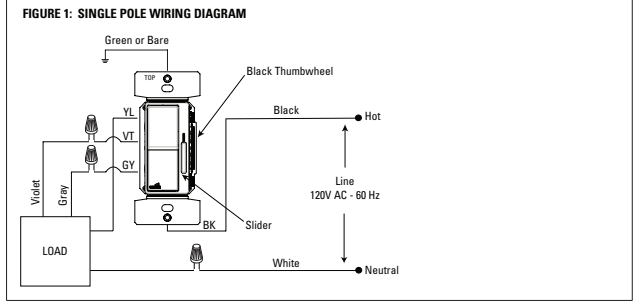
## Specification & Performance Data for the DEVINE 0-10V Dimmer

### Application

The Cooper Wiring Devices DEVINE, 0-10V Dimmer provides full-range classic linear-side dimming for 0-10 Volt compatible dimmable light sources. These units are ideal for residential and light commercial applications and are compatible with Cooper Wiring Devices Decorator style devices and wallplates. Units feature a preset “ON/OFF” switch that automatically returns controlled light(s) to a preset level without disturbing the brightness level. The device is designed for both Single-Pole (one location) and 3-Way (multi-location) applications.

	<b>Device Type</b>	DEVINE Slide Dimmers, AL Series
	<b>Wiring Type</b>	Back & side wire terminals + 10V wire leads
	<b>Testing &amp; Code Compliance</b>	cULus Listed to UL1472, file no. E47967 NOM Certified
<b>Specifications: Environmental</b>	<b>Flammability</b>	Meets UL94 requirements; V2 rated
	<b>Temperature Rating</b>	-20°C to 70°C (-4°F to 158°F)
<b>Specifications: Electrical</b>	<b>Rating</b>	120V/AC, 60 Hz; 277V/AC, 60 Hz
	<b>Light Intensity Control</b>	Full-range, continuously variable dimming
	<b>Dimming Performance</b>	0-10V Dimming
	<b>Surge Protection</b>	Meets ANSI/IEEE Std. C62.41-1980, tested to withstand voltage surges up to 6000V and current surges of up to 200A without damage
	<b>Power-failure Memory</b>	Light returns to same level prior to power interruption
	<b>Lamp Ratings - Switch Relay</b>	1200W @ 120V/AC 1660W @ 277V/AC
	<b>Dimming Control Power</b>	0-10V/DC: 200 mA
<b>Specifications: Mechanical</b>	<b>Wiring Types</b>	Single-Pole & 3-Way
	<b>Voltage Ratings</b>	Permanently marked on device

### DEVINE 0-10V Wiring Diagram



Specifications and availability are subject to change without notice.