

Sign, Heater and Cleat Socket Lampholders

75W 125V
660W 250V



Sign Sockets – Porcelain Base, Thermoset Ring

FEATURES

- High-strength insulator porcelain.
- For use in signs, fixtures, decorative lighting and similar applications.

Sign Sockets – Porcelain

Rating		Description	Base	Switch	Color	Catalog No.
W	V					
660	250	2 piece with screw terminals	Medium	Keyless	White	610*
660	250	2 piece with 9" (228.6mm) wire leads	Medium	Keyless	White	609*

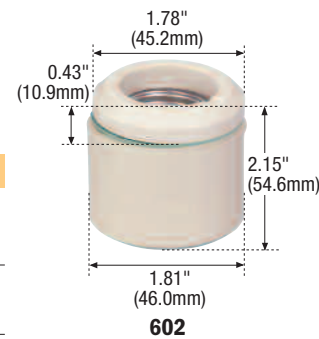
Heater Socket – Porcelain

FEATURES

- For use with heater elements.

Heater Socket – Porcelain

Rating		Description	Base	Switch	Color	Catalog No.
W	V					
660	250	2 piece with screw terminals	Edison	Keyless	White	602*



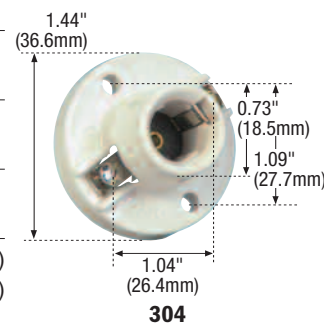
Cleat Sockets – Thermoset

FEATURES

- For use with stage lighting and similar applications.

Cleat Sockets – Thermoset

Rating		Description	Base	Switch	Color	Catalog No.
W	V					
660	250	Front wire screw terminals	Medium	Keyless	White	S752W*
75	125	Front wire screw terminals	Candelabra	Keyless	White	304†
75	125	Front wire screw terminals	Miniature	Keyless	White	303†



*UL Listed, file E7430; CSA file 1739 (6231-07)

†UL file E26358; CSA file 21433 (6231-05)

R-10 Lampholders

TESTING & CODE COMPLIANCE

- UL Listed, file E7430 or 26358, UL 496 requirements,
- CSA Certified, Meet CSA requirements, C22.2 no. 43
- NOM Certified

MATERIAL CHARACTERISTICS

Temperature Rating:
-40°C to 65°C