

Linear Convectector™ LC Series

Heat that fits



Revolutionary design provides a sleek, compact heater profile, while improving heater performance, reducing energy consumption, and improving comfort.

Features

- Faster heating of the room than a conventional baseboard due to rapid vertical laminar air flow, directing heat to the ceiling, speeding dispersal of warm air into the center of the room
- Improved performance and reduced length through use of top heat discharge and new fin design
- Superior shark-fin blade design on a steel tubular element for improved heat transfer and longer life
- Discreet styling, reduced length and added versatility of placement provide more options when designing a room
- May be used with wall or top mounted built-in thermostat (not included)
- Full length automatic overheat reset for safety

Applications

- All residential applications, commercial offices, lobbies, washrooms



Specifications

Voltage	120, 208, 240, 347V
Wattage	Sizes ranging from 500W to 2500W
Color	White or Almond
Finish	Specially-formulated epoxy / polyester powder coating is environmentally friendly and resists fading and abrasion.
Construction	Robust, 20 gauge steel construction.
Heating Element	A nickel chromium element is totally enclosed within a steel sheath, providing superior life expectancy and resistance to rust. Shark-fin shaped aluminum fins are firmly staked in an upright position to provide directional wicking for top discharge heat transfer.
Installation	Easily removed front caps, knock-outs on both sides of the convectector, and pre-stamped mounting holes make installation easy.
Warranty	Ten year element warranty. One year warranty on complete unit.



LC Series

Ordering Guide

Cat. No.	Watts	Volts	BTU	Length mm/in.	Weight kg/lbs.
LC2005W11	500	120	1706	508/20	1.7/3.75
LC2005W21	500	208	1706	508/20	1.7/3.75
LC2005W31	500/375	240/208	1706/1280	508/20	1.7/3.75
LC2005W51	500	347	1706	508/20	1.7/3.75
LC2507W11	750	120	2559	635/25	2/4.40
LC2507W21	750	208	2559	635/25	2/4.40
LC2507W31	750/563	240/208	2559/1919	635/25	2/4.40
LC2507W51	750	347	2559	635/25	2/4.40
LC3010W11	1000	120	3412	762/30	2.3/5.00
LC3010W21	1000	208	3412	762/30	2.3/5.00
LC3010W31	1000/750	240/208	3412/2559	762/30	2.3/5.00
LC3010W51	1000	347	3412	762/30	2.3/5.00
LC3512W11	1250	120	4265	889/35	2.9/6.40
LC3512W21	1250	208	4265	889/35	2.9/6.40

Cat. No.	Watts	Volts	BTU	Length mm/in.	Weight kg/lbs.
LC3512W31	1250/938	240/208	4265/3199	889/35	2.9/6.40
LC3512W51	1250	347	4265	889/35	2.9/6.40
LC4015W11	1500	120	5118	1016/40	3.2/7.50
LC4015W21	1500	208	5118	1016/40	3.2/7.50
LC4015W31	1500/1125	240/208	5118/3839	1016/40	3.2/7.50
LC4015W51	1500	347	5118	1016/40	3.2/7.50
LC5020W21	2000	208	6824	1270/50	3.7/8.20
LC5020W31	2000/1500	240/208	6824/5120	1270/50	3.7/8.20
LC5020W51	2000	347	6824	1270/50	3.7/8.20
LC6025W21	2500	208	8530	1524/60	4.4/9.70
LC6025W31	2500/1875	240/208	8530/6398	1524/60	4.4/9.70
LC6025W51	2500	347	8530	1524/60	4.4/9.70

Note: 1) Standard color is white.
2) To order almond, omit "W" in Cat. No.

Control Options (field installed)

Thermostat Kits

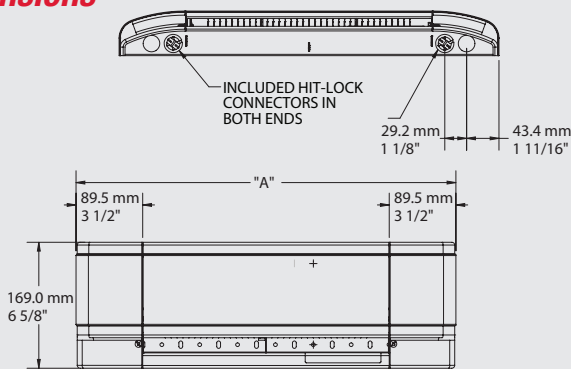
Cat. No.	Description	Rating
DTK-SP	Single pole built-in thermostat kit (adjustable)	120-240V, 17A 347V, 14A
DTK-DP	Double pole built-in thermostat (adjustable)	120-240V, 17A 347V, 11A
DTKT-SP	Single pole built-in tamperproof thermostat kit	120-240V, 17A 347V, 11A
DTKT-DP	Double pole built-in tamperproof thermostat kit	120-240V, 25A 347V, 11A

Note: Each adjustable kit contains white and almond control knobs and hardware

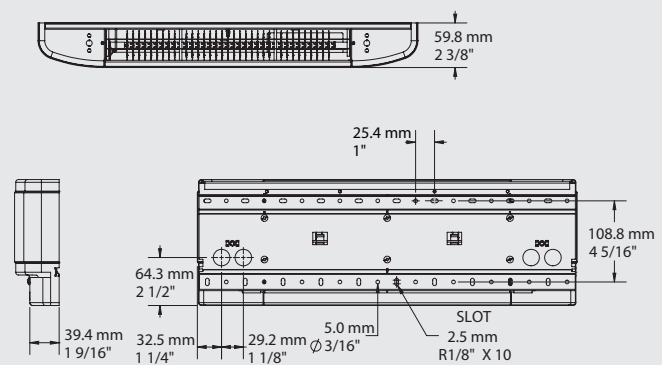
Relays

Cat. No.	Description	Rating
BLLVC11	Low voltage relay & transformer kit	120V, 22A
BLLVC21	Low voltage relay & transformer kit	208V, 22A
BLLVC31	Low voltage relay & transformer kit	240V, 22A
BLLVC51	Low voltage relay & transformer kit	347V, 17A
BLLVD	Low voltage relay less transformer kit	120/208/240, 22A 347V, 17A

Dimensions



"A" – see Length in Ordering Guide



NOTE: ALL KNOCK OUTS ARE 7/8" FOR 1/2" CONDUIT