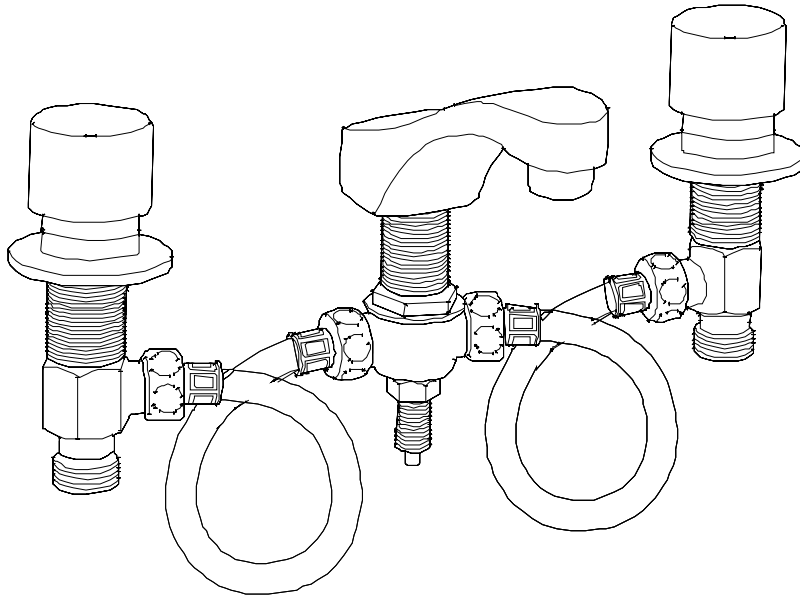


Central Brass®

The Easy Choice

SLOW CLOSE WIDESPREAD LAVATORY FAUCET

Flexible Hose Connections
6 to 24 Inch Adjustable Centers



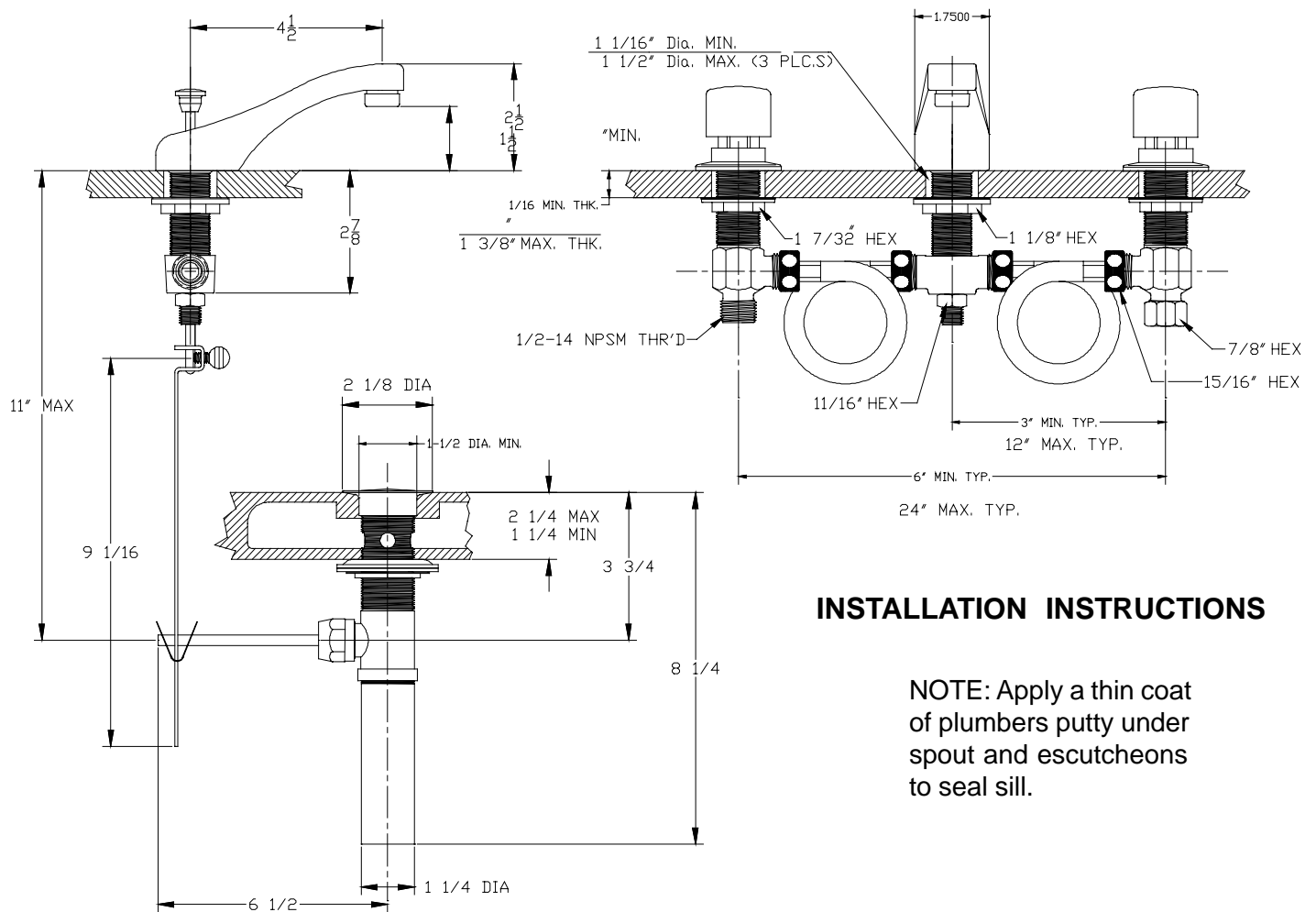
3127 - A Series

(For use with grid drain only, supplied separately)

3127 - DA Series

(With pop-up drain)

CENTRAL BRASS MFG CO
2950 East 55th Street, Cleveland, Ohio 44127

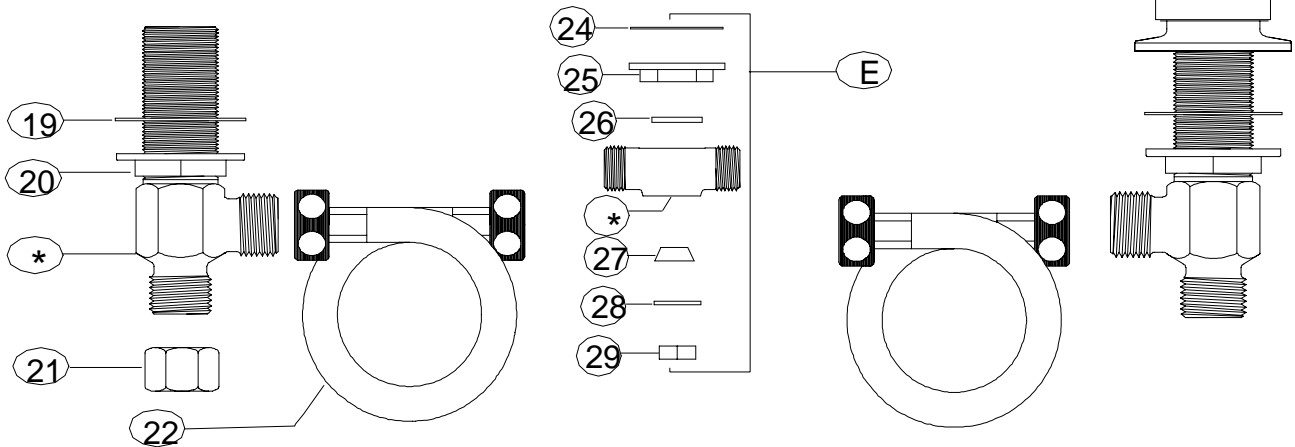
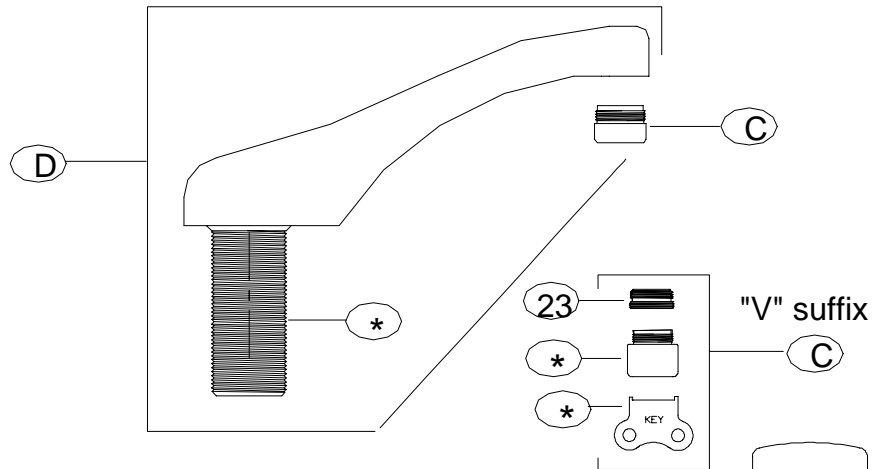
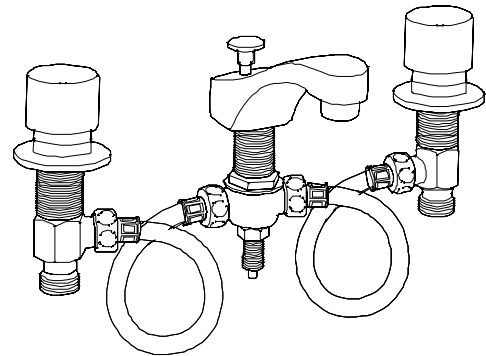
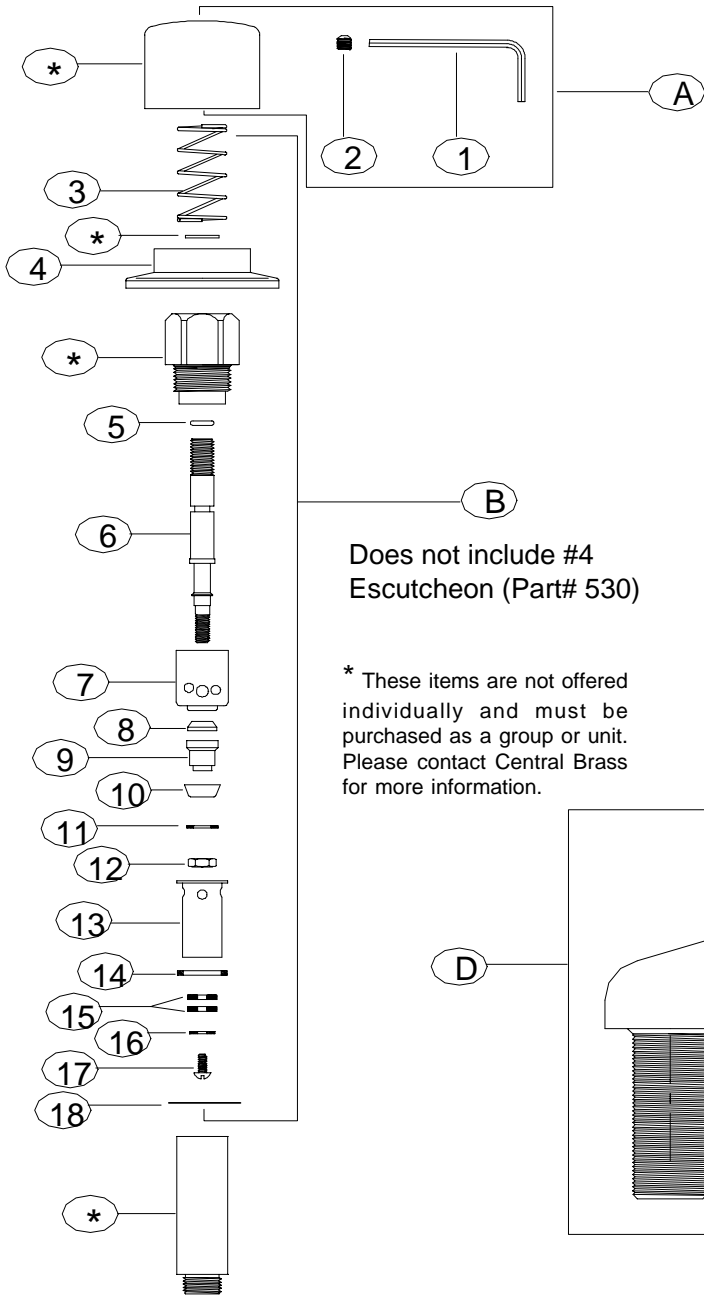


INSTALLATION INSTRUCTIONS

NOTE: Apply a thin coat of plumbers putty under spout and escutcheons to seal sill.

1. Remove the aerator from the spout and insert the spout in the center hole of the sink. Place the washer on the shank and thread the locknut on and tighten.
2. Place the washer in the spout tee and thread the tee on the spout shank. Tighten the tee on the shank. **NOTE:** Faucets equipped with pop-up drain will require the washers and nut to be attached to the spout tube.
3. Remove the paper tubes from the corner bodies and install locknuts and washers half way down on the body thread.
4. Connect one end of each flexible tube to the side outlet of each corner body.
5. Under the sink, attach the other end of the flexible tube to the spout tee and tighten.
6. Insert each corner body thru the sink and thread the chrome escutcheon on and tighten. **NOTE:** The chrome hex should be exposed 1/2-inch above the escutcheon for ease of future maintenance.
7. Place the small rubber washer over the stem on each corner body and then the spring.
8. Push the handle down on the spring and rotate clockwise until completely threaded onto the stem.
9. Turn handle 2 turns counterclockwise and then install set screws in handle and tighten.
10. Connect corner bodies to hot (left) and cold supply lines. Turn on water and check for leakage.
11. Operate each faucet body a number of times to purge contamination and wet internal components, then replace aerator.
12. Test the faucet run time. The faucet should remain on for 3 to 5 seconds. Refer to adjustment instructions if required.

REPLACEMENT PARTS



CENTRAL BRASS MFG CO
2950 East 55th Street, Cleveland, Ohio 44127

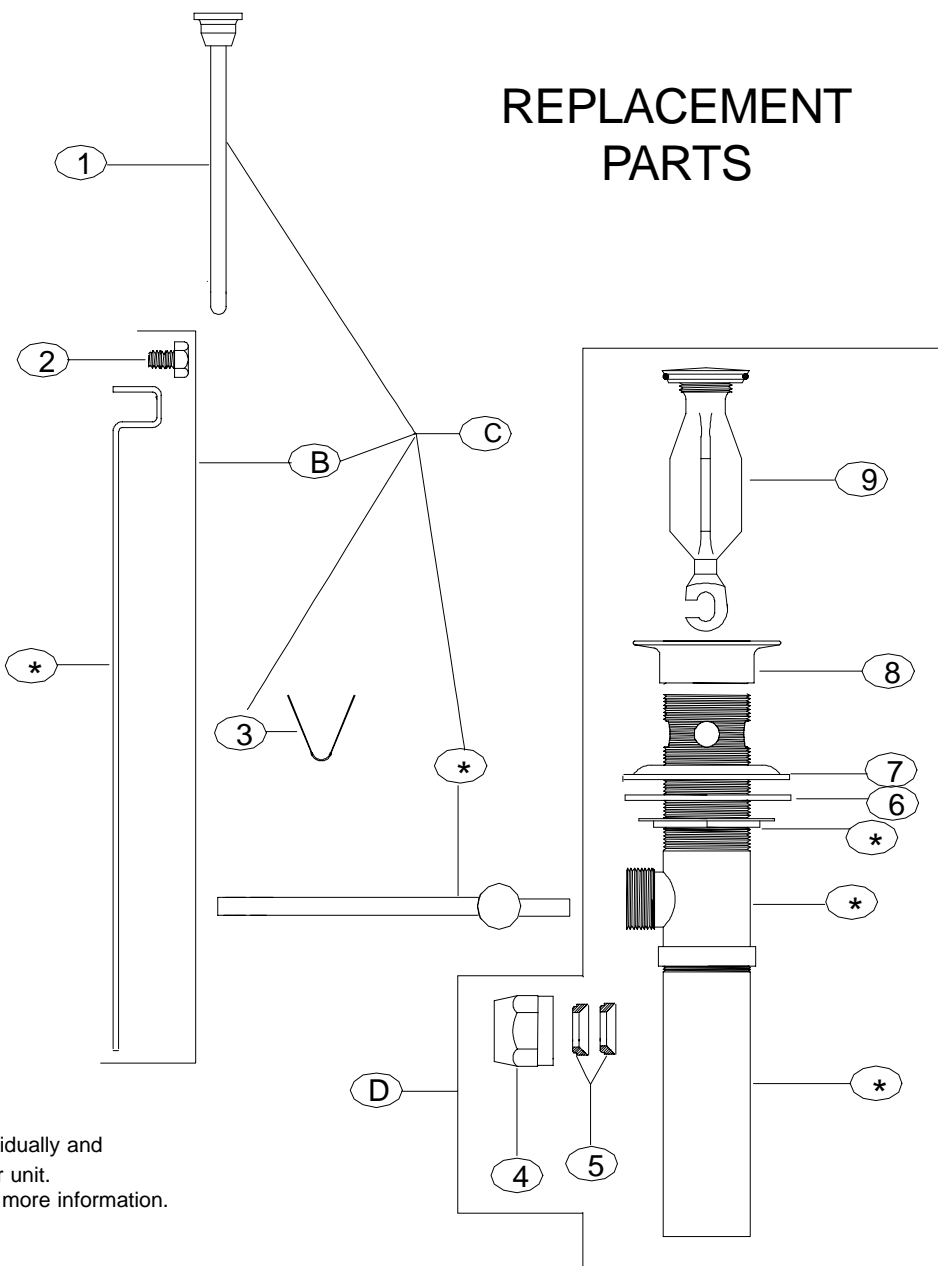
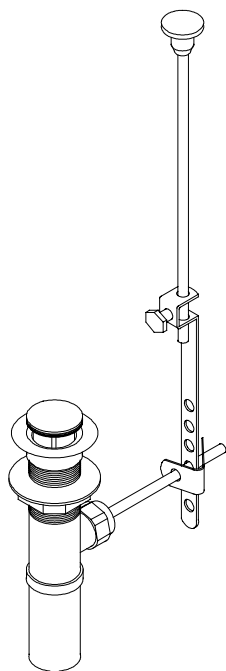
REPLACEMENT PARTS

#	Part #	Description
A	K-171-AM	Slow-Close Cap not indexed with Set Screw (X103-HS) & Wrench (170-WA)
B	K-171	Slow-Close Stem Assembly with Spring (170-L), Bonnet & Gasket (X1028-Y) Please note this does not included 530 Escutcheon which can be purchased separately
C	G-30-LV	Aerator for Vandal Resistant for items with "V" suffix
C	30-L	Aerator
D	SU-2090-A	Blendo Spout with pull rod hole for pop-up drain and with Aerator (30-L)
E	G-2090-S	Shank Trim Group for SU-2090-A spout
1	170-WA	$\frac{3}{32}$ Allen Wrench
2	X103-HS	Set Screw (6 pcs per pack)
3	170-L	Spring
4	530	Escutcheon
5	X1038-CRN	O-Ring (25 pcs per pack)
6	XPF-170-C	Stem (2 pcs per pack)
7	X353-S	Sleeve (10 pcs per pack)
8	X170-F	Seat Washer (10 pcs per pack)
9	XPF-170-D	Seat Washer Holder (2 pcs per pack)
10	X170-CW	Cup Washer (10 pcs per pack)
11	X279-L	Brass Washer (10 pcs per pack)
12	XPF-170-N	Hex Nut (10pcs per pack)
13	XPF-170-E	Brass Dashpot Chrome Plated (2 pcs per pack)
14	X170-P	Gasket (10pcs per pack)
15	X170-J	Felt Washer (10pcs per pack)
16	X170-H	Brass Dashpot Washer (10 pcs per pack)
17	X170-K	Screw (10 pcs per pack)
18	X1028-Y	Gasket (25 pcs per pack)
19	X491-U	Gasket (12 pcs per pack)
20	X53-AS	Locknut (6 pcs per pack)
21	X4015	Coupling Nut (4 pcs per pack)
22	312-10N	10 inch Flexible Hose Connector
23	166-UB	Streamformer Adapter used with G-30-LV aerator for Vandal Resistant "V" suffix
24	X52-S	Washer (10 pcs per pack)
25	X53-CZ	Locknut (6 pcs per pack)
26	X427-WS	Gasket (12 pcs per pack)
27	X954-A	Slip Joint Washer (10 pcs per pack)
28	X28-A	Brass Washer (6 pcs per pack)
29	X168-B	Brass Hex Nut (4 pcs per pack)

CENTRAL BRASS MFG CO
 2950 East 55th Street, Cleveland, Ohio 44127

For items with "D" Suffix Pop-up Drain

REPLACEMENT PARTS

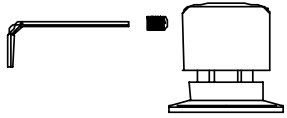
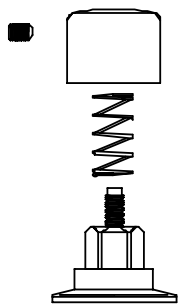
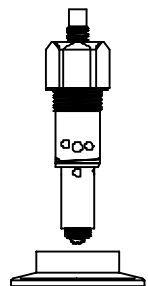
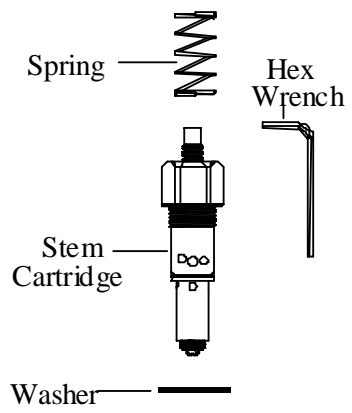


* These items are not offered individually and must be purchased as a group or unit. Please contact Central Brass for more information.

#	Part #	Description
B	SU-195	Pop-up Bracket with Screw (X113-P)
C	G-195-DST	Pull Rod Group with Pop-up Bracket (SU-195) & Ball Lever Rod
D	SU-1109	Pop-up Drain less pull rod & bracket with Stopper & Guide (SU-2113-TT)
1	SU-195-BT9	Pull Rod & Knob
2	X113-P	Pop-up Bracket Screw (6 pcs per pack)
3	X195-C	Clip (6 pcs per pack)
4	192-NBB	Ball Lever Nut
5	X409-PT	Ball Lever Packing (12 pcs per pack)
6	X51-D	Washer (10 pcs per pack)
7	X994-1109	Mac Washer (4 pcs per pack)
8	2056-SPT1109	Top Flange
9	SU-2113-TT	Stopper & Guide

CENTRAL BRASS MFG CO
2950 East 55th Street, Cleveland, Ohio 44127

CENTRAL BRASS MAINTENANCE INSTRUCTIONS

DISASSEMBLY	REPLACEMENT
<div style="border: 1px solid black; padding: 5px; margin-bottom: 10px;"> <div style="display: flex; align-items: center;"> <div style="border: 1px solid black; width: 30px; height: 30px; text-align: center; line-height: 30px; margin-right: 10px;">1</div> <div> <p>1. Turn off water supplies. 2. Remove setscrew with 3/32 allen wrench</p> </div> </div>  </div> <div style="border: 1px solid black; padding: 5px; margin-bottom: 10px;"> <div style="display: flex; align-items: center;"> <div style="border: 1px solid black; width: 30px; height: 30px; text-align: center; line-height: 30px; margin-right: 10px;">2</div> <div> <p>1. Remove push button handle and lift off spring.</p> </div> </div>  </div> <div style="border: 1px solid black; padding: 5px;"> <div style="display: flex; align-items: center;"> <div style="border: 1px solid black; width: 30px; height: 30px; text-align: center; line-height: 30px; margin-right: 10px;">3</div> <div> <p>1. Remove bonnet and stem cartridge by turning counterclockwise with adjustable wrench.</p> </div> </div>  </div>	<div style="border: 1px solid black; padding: 5px; margin-bottom: 10px;"> <div style="display: flex; align-items: center;"> <div style="border: 1px solid black; width: 30px; height: 30px; text-align: center; line-height: 30px; margin-right: 10px;">4</div> <div> <p>Use Only Genuine Central Replacement Parts</p> <p>K-171 Stem Cartridge Repair Kit</p> </div> </div>  </div> <div style="border: 1px solid black; padding: 5px;"> <p>Flow Time Adjustment</p> <p>With locking set screw loose turn push button counterclockwise to lengthen flow time, clockwise to shorten flow length time. A five second cycle is recommended. Tighten the locking set screw with the hex wrench provided when desired time has been set.</p> </div>