

Central Brass

C O M P A N Y

Brecksville, Ohio 44141

Phone: (216) 883-0220 Fax: (440) 526-5745

www.CentralBrass.com

**MODEL NOS. 0576-3/4
0576-3/4RC 0576-3/4CP
LAWN FAUCET**

0576-3/4

Rough
Brass

0576-3/4RC

Rough
Chrome

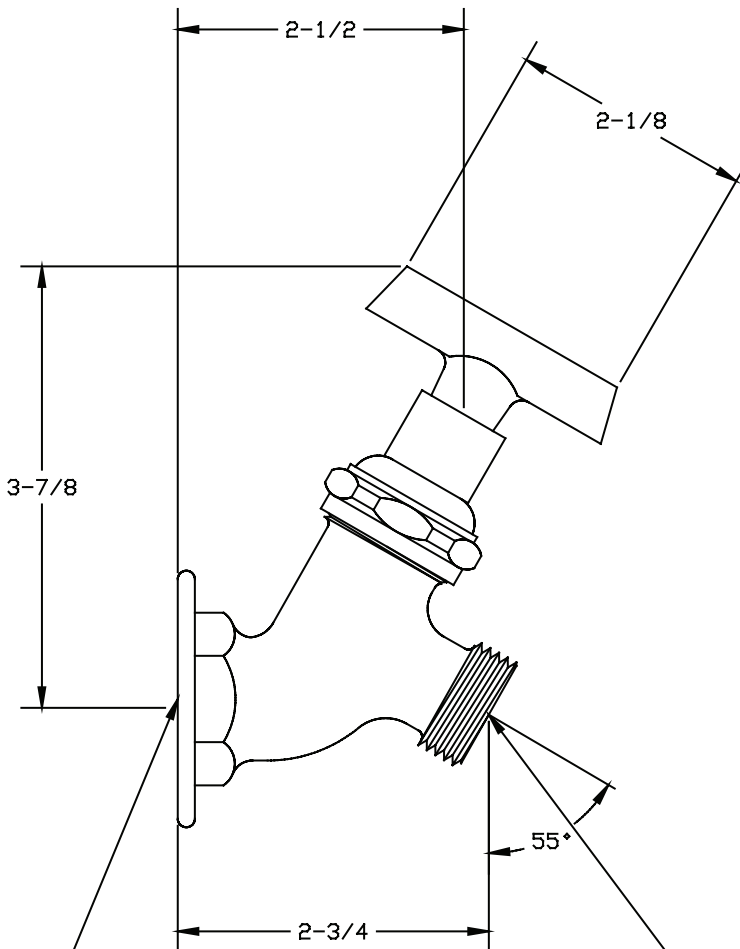
0576-3/4CP

Polished
Chrome

The lawn faucet has a heavy pattern cast brass body with a cast in flange. All internal metal parts are brass. The packing is a reinforced rubber material and the seat washer is rubber. The faucet is provided with a brass lockshield and a removable loose key handle for vandal resistant operation. The lawn faucet is available in either a rough brass, (RC) rough chrome or (CP) polished chrome finish.

ASME A112.18.1M

Meets ANSI/NSF Standard 61, Section 9, for Lead



Installation Drawing

