

Standards and Certifications

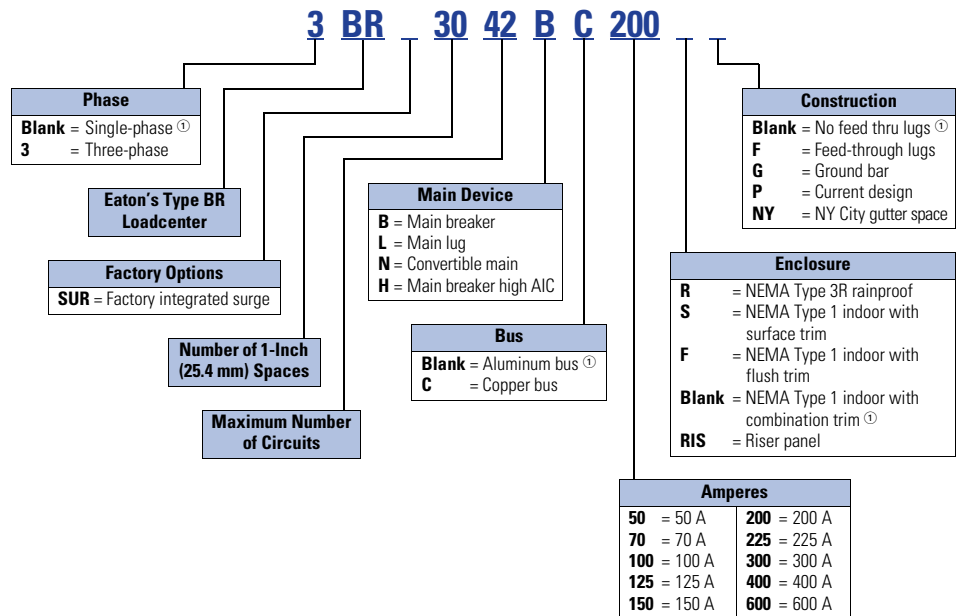
UL Listings

All Eaton Type BR loadcenters are listed under UL File E52977 except the 2–8 circuit loadcenters, up through and including 125 A, which are listed under UL File E8741.



Catalog Number Selection

Single- and Three-Phase Through 600 A



Note

^① No character space used.

1

Product Selection

Single-Phase—Main Circuit Breaker Loadcenters—10/25 kAIC

BR4040B200



Single-Phase Three-Wire—120/240 Vac—Insulated/Bondable Split Neutral

Main Breaker Type	Main Ampere Rating	Maximum Number 1-Inch (25.4 mm)		Enclosure Type	Box Size	Wire Size Range Cu/Al 60 °C or 75 °C for Main Breaker	Loadcenter Catalog Number with Combination ^① or NEMA Type 3R Cover	
		Spaces	Circuits					
BR 10 kAIC	100	8	16	Indoor	B1	#4–1/0 ^②	BR816B100	
		10	20	Indoor	A1		BR1020B100S11	
		10	20	Indoor	A1		BR1020B100F11	
		10	20	Outdoor	B2R		BR1020B100RF ^{③④}	
		12	12	Indoor	B2		BR1212B100	
		12	20	Indoor	B2		BR1220B100	
		12	24	Outdoor	B2R		BR1224B100R ^④	
		16	16	Indoor	C1		BR1616B100	
		16	20	Indoor	C1		BR1620B100	
		16	24	Outdoor	C1R		BR1624B100R ^④	
	20	24	Outdoor	C3R	BR2024B100R ^④			
	20	20	Indoor	C2	BR2020B100			
	16	24	Indoor	C1	BR1624B100			
	30	30	Indoor	D1	BR3030B100			
	125	16	24	Indoor	C1	#4–2/0	BR1624B125	
	20	24	Indoor	C1	BR2024B125			
	20	24	Outdoor	C3R	BR2024B125R ^④			
	30	30	Indoor	D1	BR3030B125			
	BRH ^⑤ 22 kAIC	100	20	24	Indoor	C2	#4–1/0	BR2024H100 ^⑥
	CSR ^⑦ 25 kAIC	150	8	16	Outdoor	C3R	#2–300 kcmil	BR816B150RF ^{③④}
16			30	Indoor	C4	BR1630B150		
20			30	Indoor	C4	BR2030B150		
20			30	Outdoor	D1R	BR2030B150R ^④		
20			40	Indoor	D1	BR2040B150		
20			40	Outdoor	D1R	BR2040B150R ^④		
24			30	Indoor	G1	BR2430B150		
30			30	Outdoor	G1R	BR3030B150R ^④		
30			30	Indoor	G1	BR3030B150		
200		4	8	Outdoor	8R	#2–300 kcmil	BR48B200RF ^{③⑧⑨}	
8		16	Outdoor	C3R	BR816B200RF ^{③④}			
16		32	Indoor	C4	BR1632B200			
20		40	Outdoor	D1R	BR2040B200R ^④			
20		40	Indoor	D1	BR2040B200			
24		40	Indoor	G1	BR2440B200			
30		40	Outdoor	G1R	BR3040B200R ^④			
30		40	Indoor	G1	BR3040B200 [Ⓢ]			
40		40	Outdoor	L1R	BR4040B200R ^④			
40	40	Indoor	L1	BR4040B200				
40	50	Indoor	L1	BR4050B200				
60	120	Indoor	L3	BR60120B200				
60	120	Outdoor	L3R	BR60120B200R				
225	42	42	Indoor	L2	#1–250 kcmil	BR4242B225		
42	42	Outdoor	L2R	BR4242B225R ^④				

Notes

- ① Combination style covers may be used in surface or flush applications.
- ② Wire range size for BR1020B100SP is #6–#1 Cu/Al.
- ③ Includes through-feed lugs for both phase and neutral conductors.
- ④ Rainproof panels are furnished with hub closure plates. For rainproof hubs, refer to **Page V1-T1-65**.
- ⑤ See copper bus offering, **Page V1-T1-53**.
- ⑥ 22 kAIC series combination rating is obtained when Types BD, BR, BQ, BQC and GFCB 10 kAIC branch breakers are used in series with Type BRH main breaker.
- ⑦ 25 kAIC series combination rating is obtained when Types BD, BR, BQ, BQC and GFCB 10 kAIC branch circuit breakers are used in series with Type CSR main breaker.
- ⑧ Supplied with adapter plate to use DS Group1 hubs on **Page V1-T1-65**. If 2.50-inch (63.5 mm) hub is needed, remove adapter and use ARP00007CH25 hub.
- ⑨ Neutral is bonded—suitable for service entrance only—cannot be converted for sub-feed application.
- Ⓢ Add G to the end of the catalog number for factory-installed GBK2120 ground bar.

All main circuit breaker loadcenters are listed for use as service entrance equipment and are shipped with neutral bonding strap preattached. The maximum rating of the panel is the main circuit breaker rating when used as service entrance equipment. Ground bar kits priced separately. See **Page V1-T1-65**.